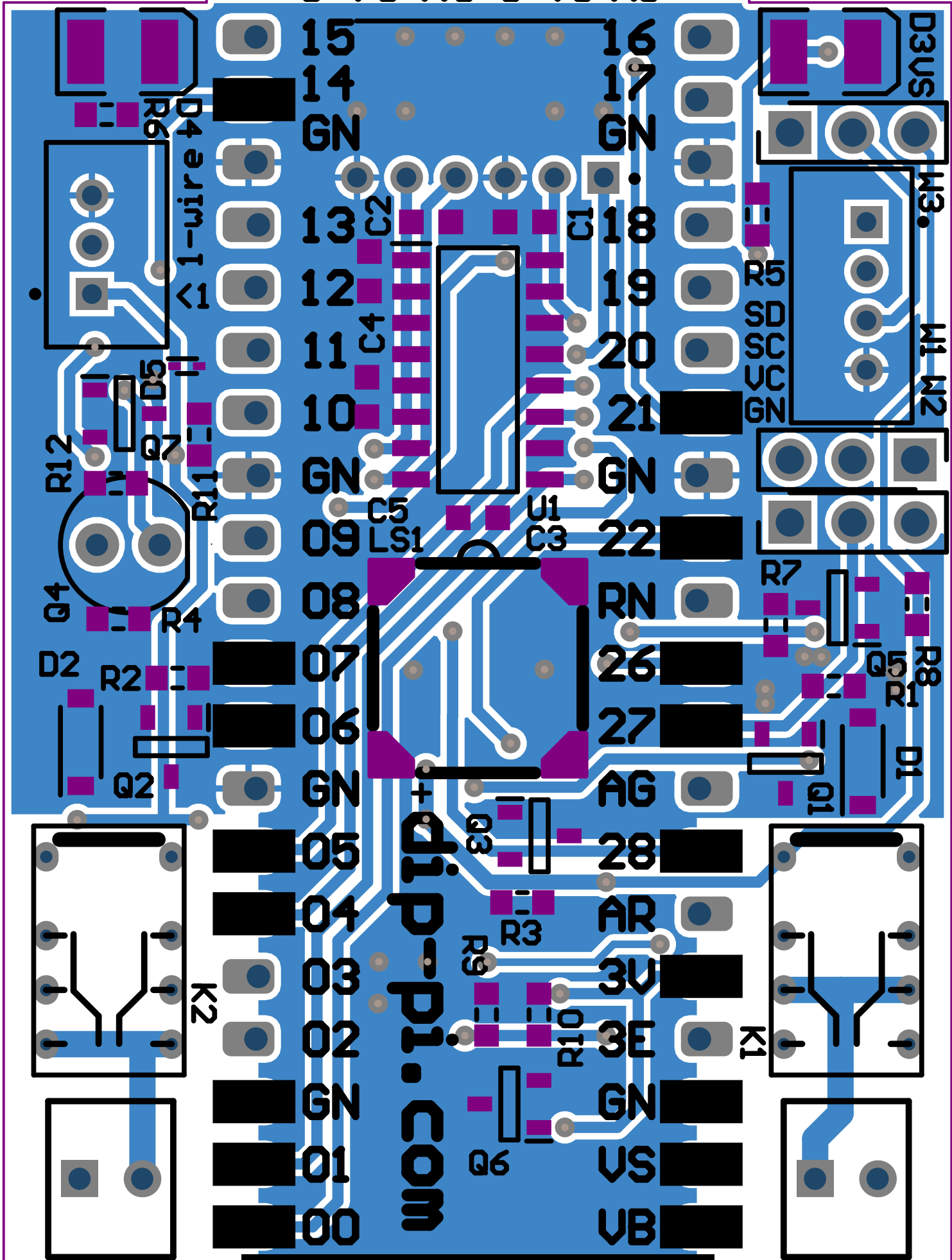


G TO RO G T1 R1



PICO USB SIDE