
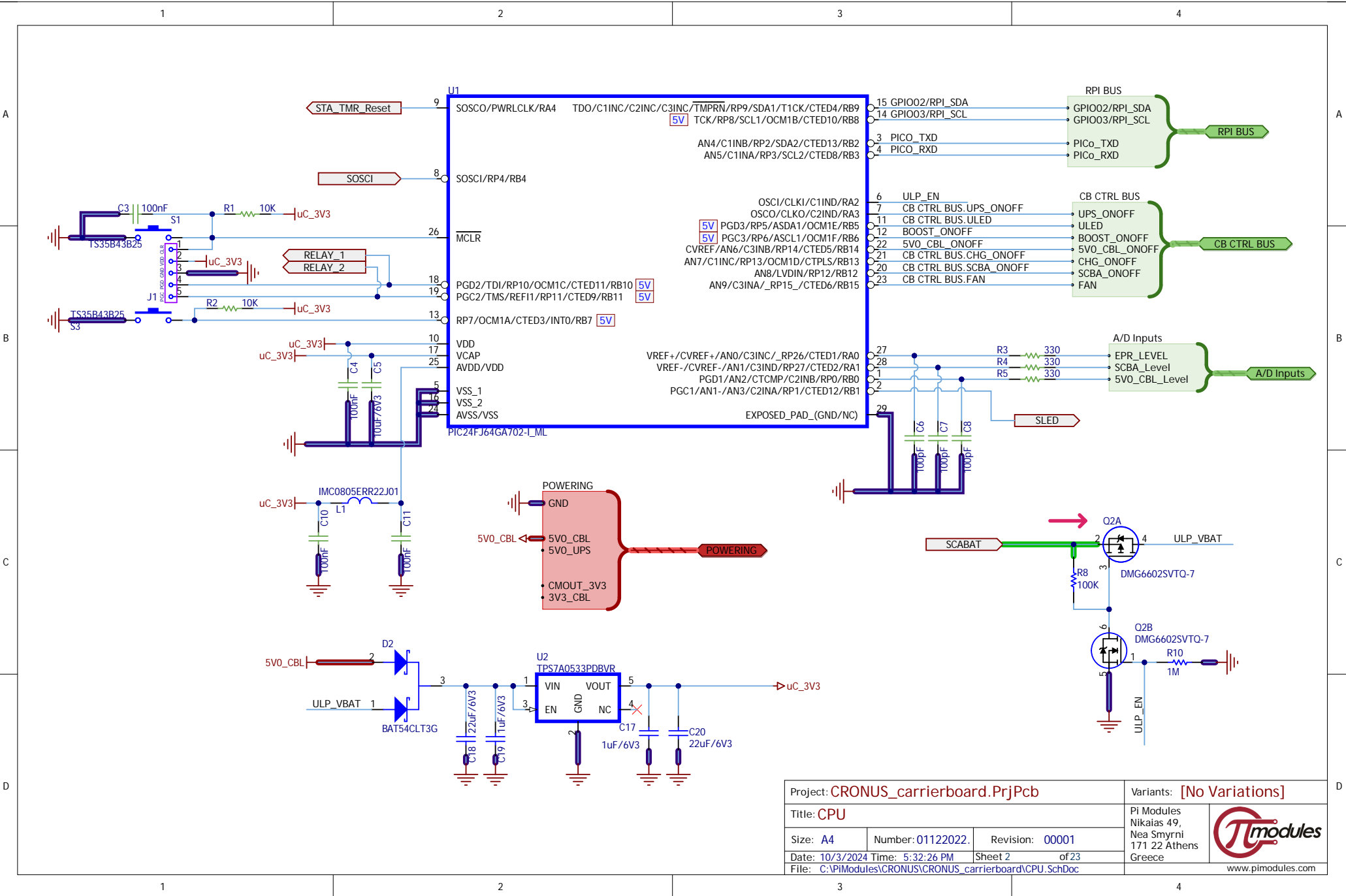

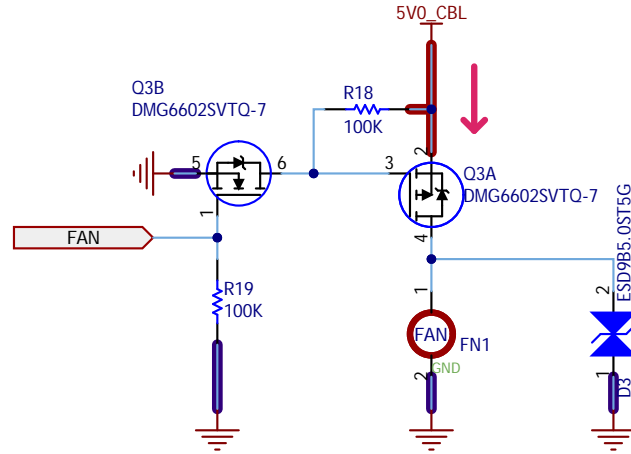
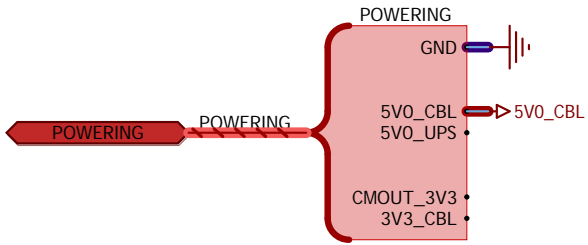



Project: CRONUS_carrierboard.PrjPcb			Variants: [No Variations]		
Title: ROOT					
Size: A3	Number: 01122022	Revision: 00001			
Date: 10/3/2024 Time: 5:32:25 PM	Sheet 1	of 23			
File: C:\PIModules\CRONUS\CRONUS_carrierboard\Root_SchDoc			Pi Modules Nikitas 49, Nea Smyrni 171 22 Athens Greece  <a href="http://www.pimodules.com">www.pimodules.com</a>		

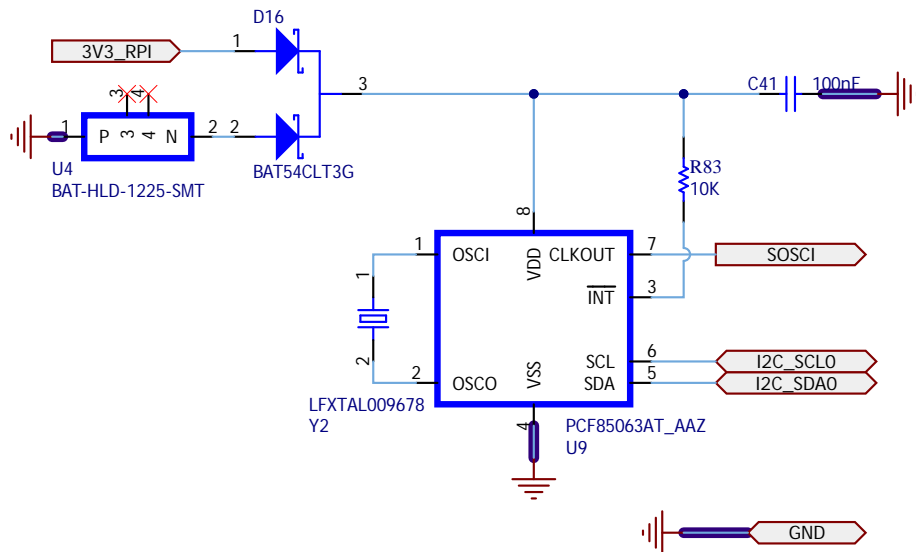



Project: CRONUS_carrierboard.PrjPcb			Variants: [No Variations]	
Title: CPU			Pi Modules Nikais 49, Nea Smyrni 171 22 Athens Greece	
Size: A4	Number: 01122022.	Revision: 00001		
Date: 10/3/2024	Time: 5:32:26 PM	Sheet 2 of 23		
File: C:\PiModules\CRONUS\CRONUS_carrierboard\CPU.SchDoc			www.pimodules.com	

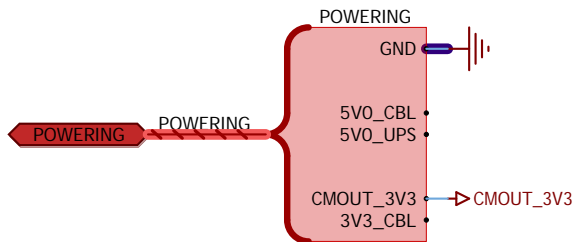




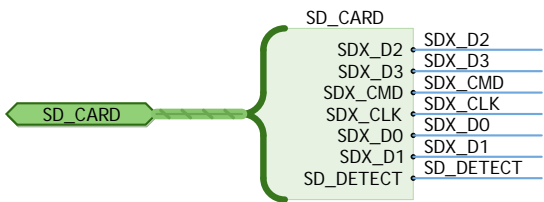
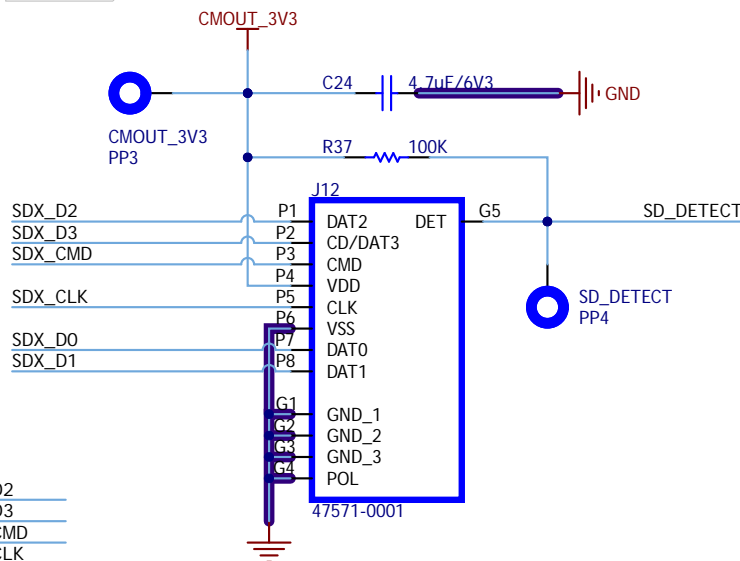
Project: CRONUS_carrierboard.PrjPcb			Variants: [No Variations]	
Title:			PiModules Nikaïas 49, Nea Smyrni 17122 Athens Greece	
Size: A	Number: .	Revision:		
Date: 10/3/2024	Time: 5:32:26 PM	Sheet 4 of 23		
File: C:\PiModules\CRONUS_carrierboard\FAN.SchDoc			www.pimodules.com	



Project: <b>CRONUS_carrierboard.PrjPcb</b>			Variants: [No Variations]	
Title:			PiModules Nikaïas 49, Nea Smyrni 17122 Athens Greece	
Size: <b>A</b>	Number: .	Revision:	 <a href="http://www.pimodules.com">www.pimodules.com</a>	
Date: 10/3/2024	Time: 5:32:27 PM	Sheet 5 of 23		
File: C:\PiModules\CRONUS\CRONUS_carrierboard\RTC.SchDoc				

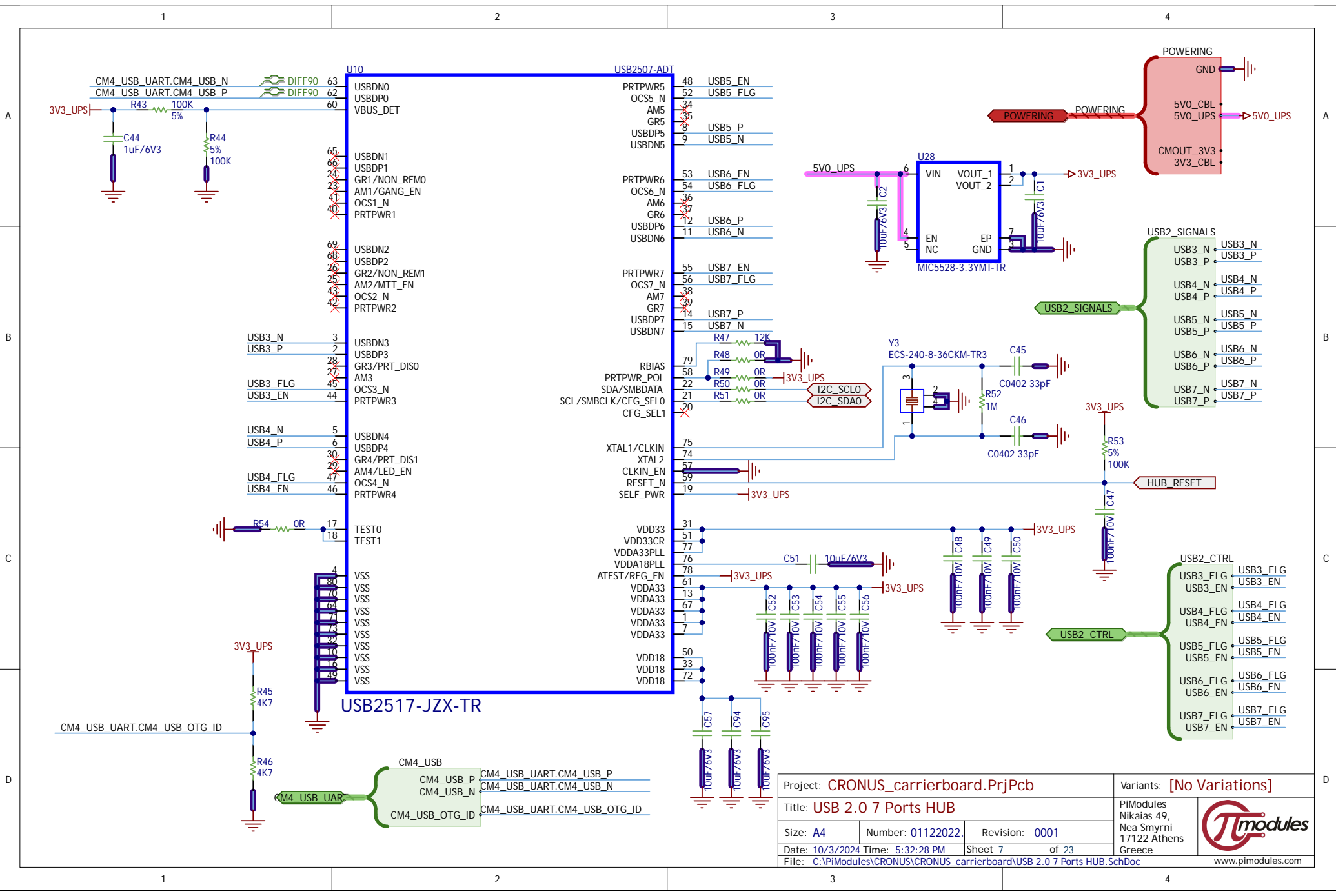


CMOUT\_3V3 is originated by CM4 and is protected by UPS



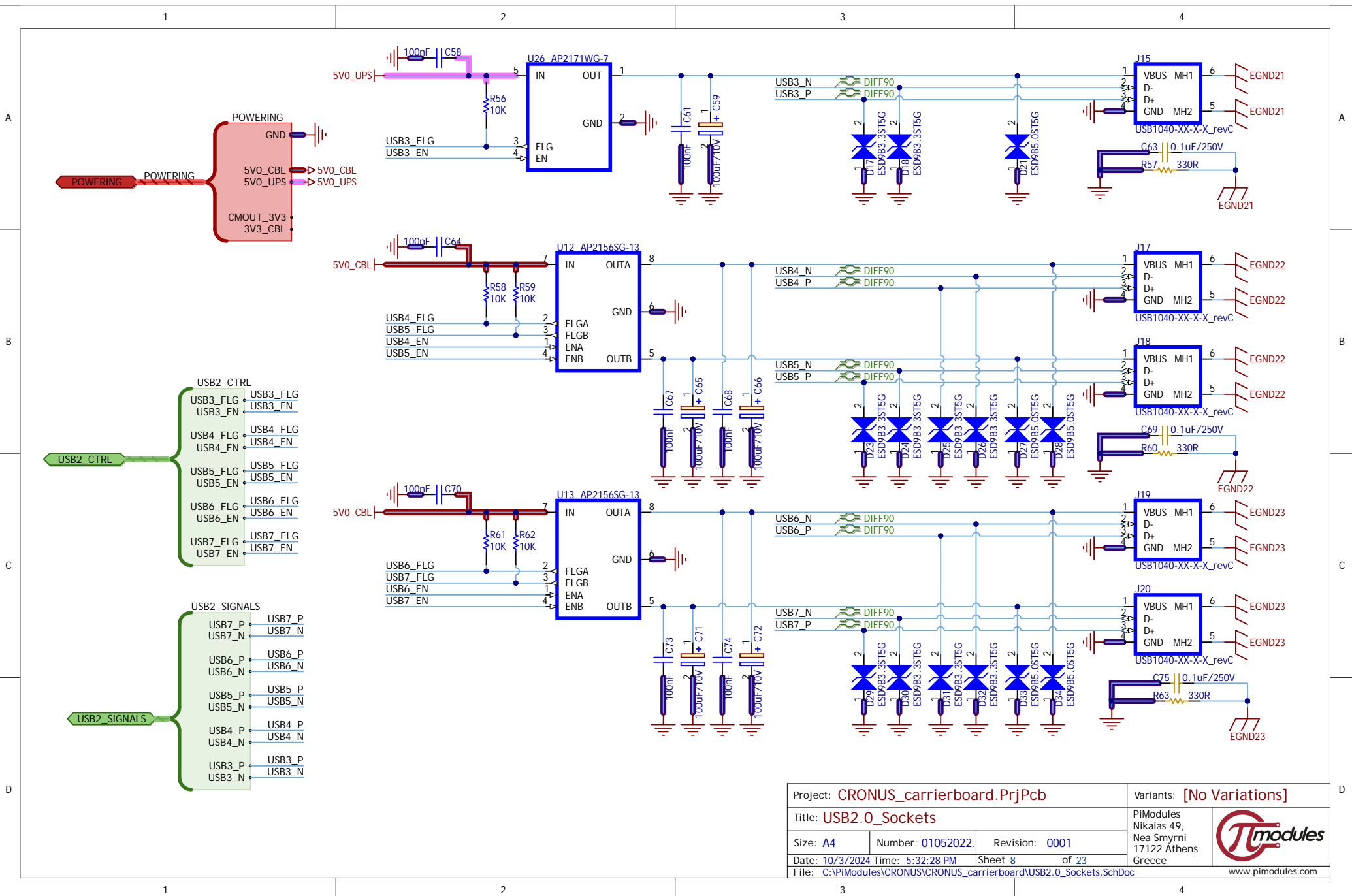
Project: <b>CRONUS_carrierboard.PrjPcb</b>			Variants: <b>[No Variations]</b>	
Title: <b>Evergreen Miner SD Card</b>			PiModules Nikaias 49, Nea Smyrni 17122 Athens Greece	
Size: <b>A</b>	Number: <b>01052022</b>	Revision:		
Date: <b>10/3/2024</b> Time: <b>5:32:27 PM</b>		Sheet <b>6</b> of <b>23</b>		
File: <b>C:\PiModules\CRONUS_carrierboard\SD Card.SchDoc</b>			www.pimodules.com	





Project: CRONUS_carrierboard.PrjPcb		Variants: [No Variations]	
Title: USB 2.0 7 Ports HUB		PiModules Nikaia 49, Nea Smyrni 17122 Athens Greece	
Size: A4	Number: 01122022	Revision: 0001	
Date: 10/3/2024 Time: 5:32:28 PM	Sheet 7	of 23	
File: C:\PiModules\CRONUS\CRONUS_carrierboard\USB 2.0 7 Ports HUB.SchDoc		www.pi-modules.com	

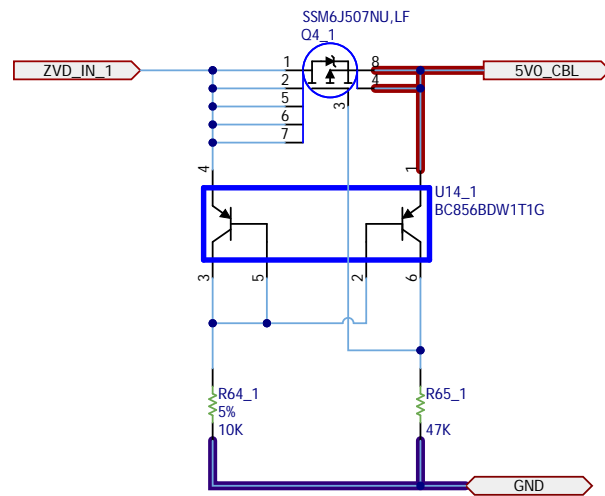




Project: CRONUS_carrierboard.PrjPcb		Variants: [No Variations]	
Title: USB2.0_Sockets		PIModules Nikaia 49, Nea Smyrni 17122 Athens Greece	
Size: A4	Number: 01052022	Revision: 0001	
Date: 10/3/2024	Time: 5:32:28 PM	Sheet 8	of 23
File: C:\PIModules\CRONUS\CRONUS_carrierboard\USB2.0_Sockets.SchDoc		www.pimodules.com	

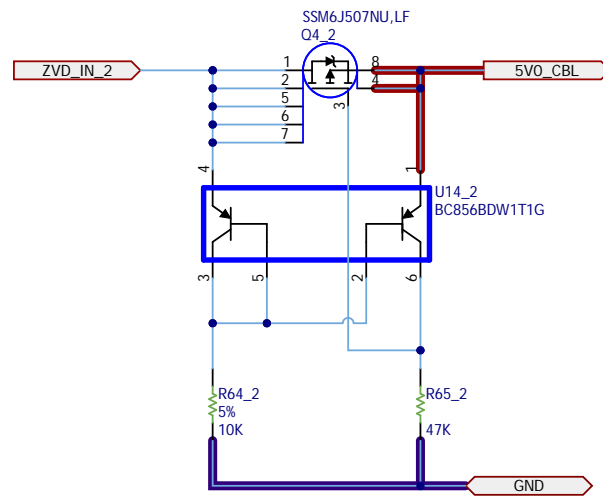






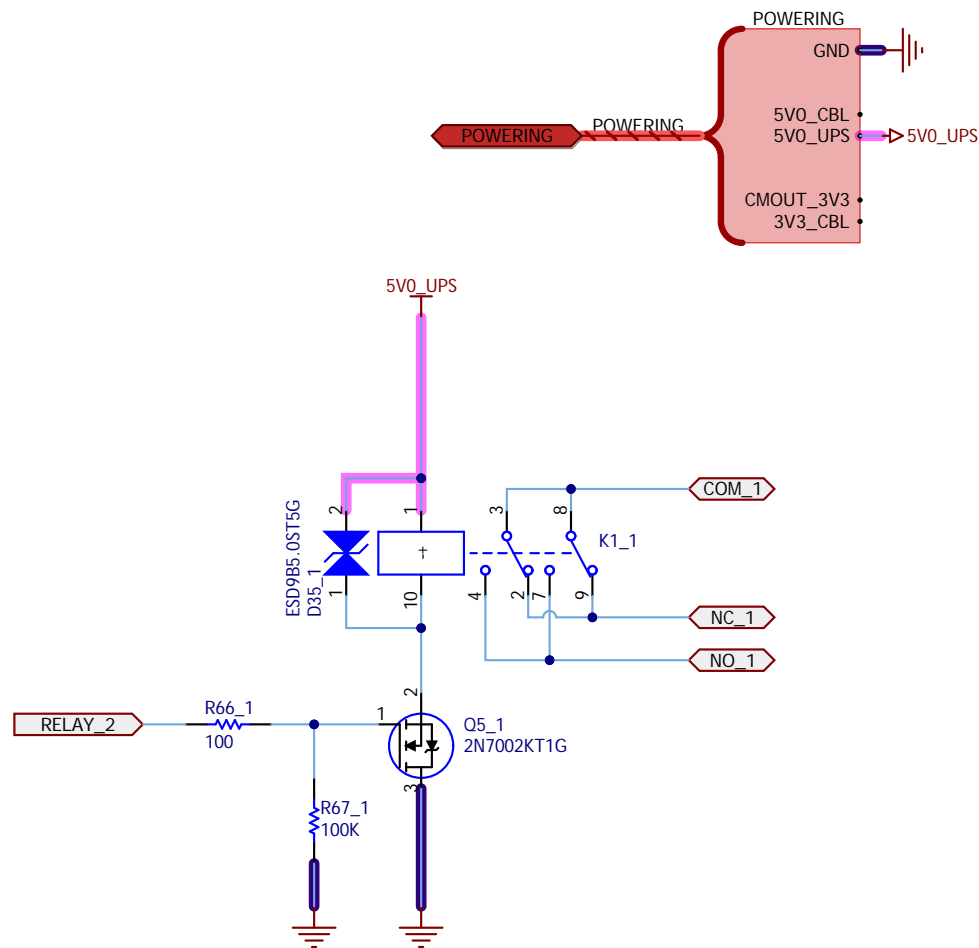
Project: CRONUS_carrierboard.PrjPcb			Variants: [No Variations]
Title:			Pi Modules Nikaïas 49, Nea Smyrni 171 22 Athens Greece
Size: A4	Number: .2	Revision:	
Date: 10/3/2024	Time: 5:32:29 PM	Sheet 9.1	of 23
File: C:\PiModules\CRONUS\CRONUS_carrierboard\ZVD.SchDoc			www.pimodules.com




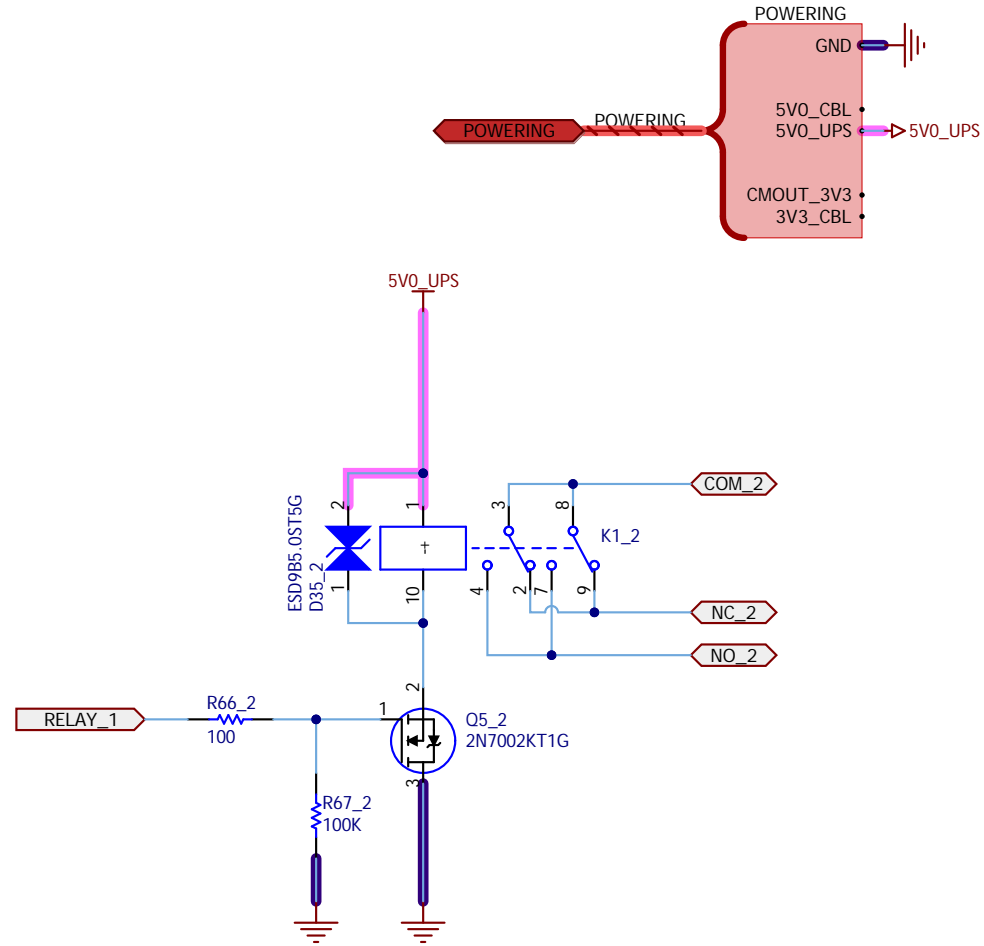



Project: CRONUS_carrierboard.PrjPcb			Variants: [No Variations]	
Title:			Pi Modules Nikaïas 49, Nea Smyrni 171 22 Athens Greece	
Size: A4	Number: .1	Revision:		
Date: 10/3/2024	Time: 5:32:29 PM	Sheet 9.2	of 23	
File: C:\PiModules\CRONUS\CRONUS_carrierboard\ZVD.SchDoc			www.pimodules.com	

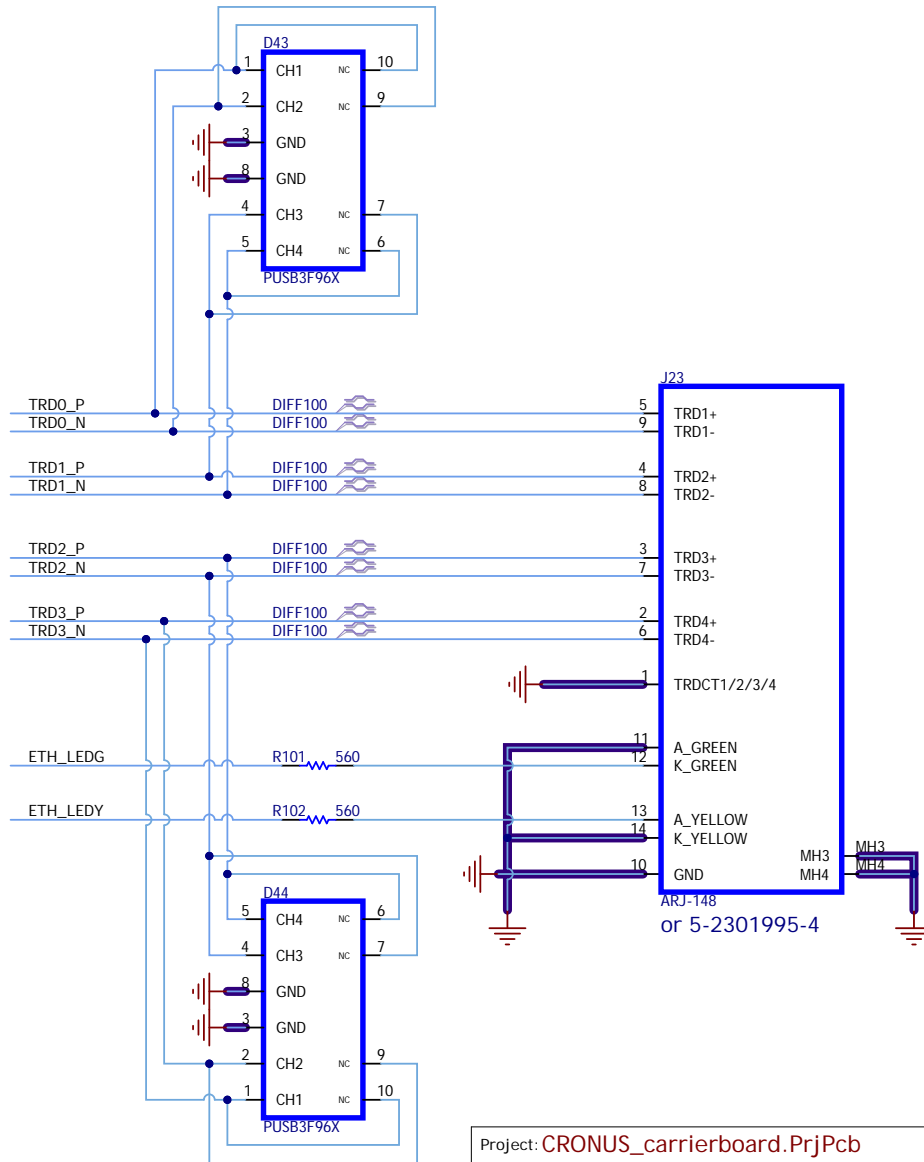
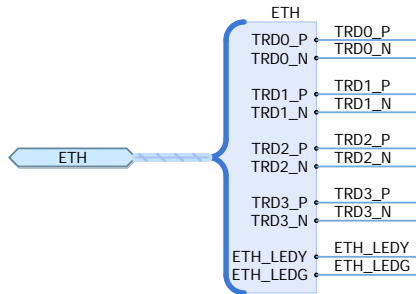
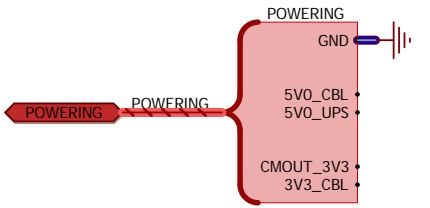





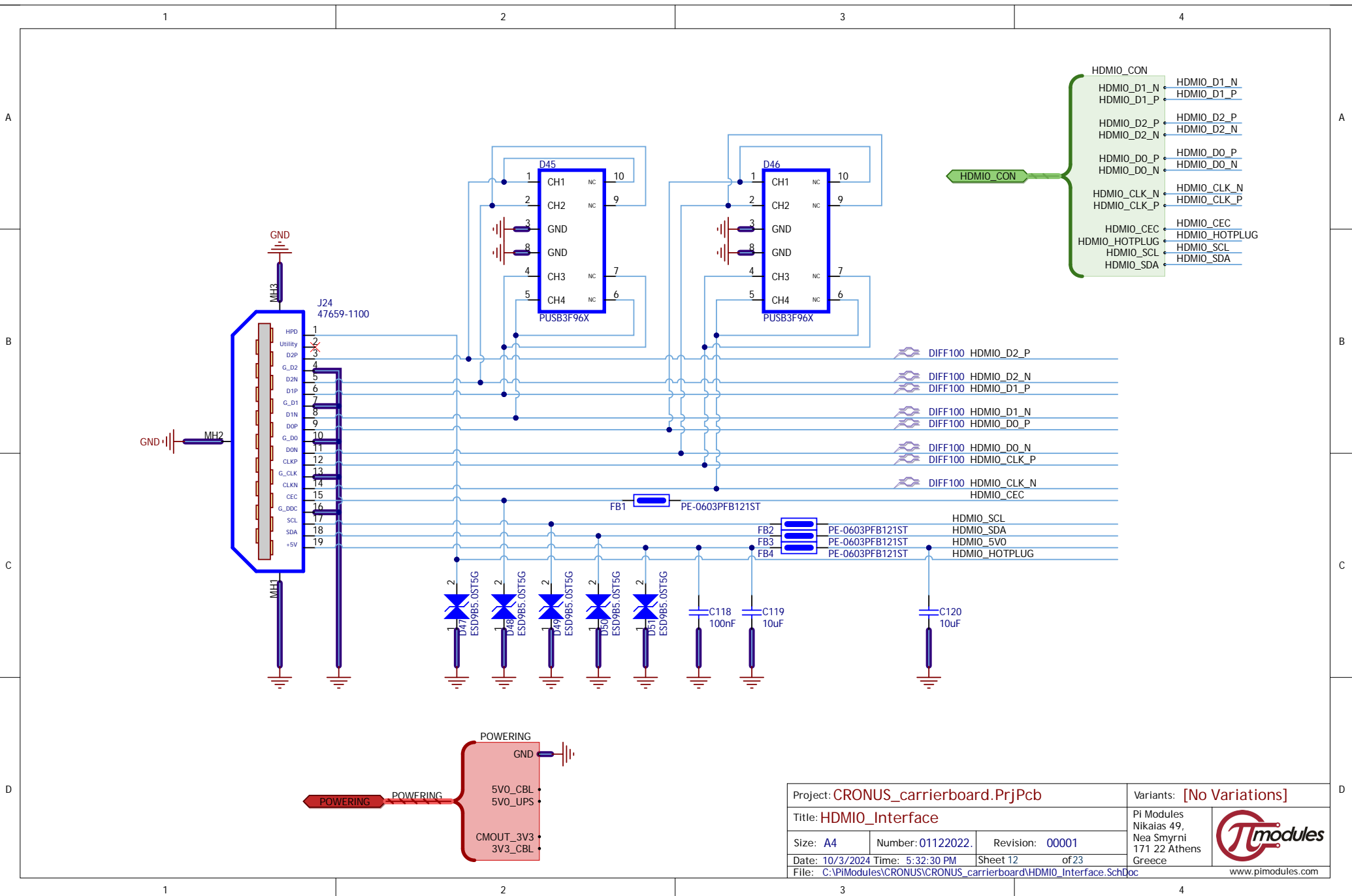
Project: <b>CRONUS_carrierboard.PrjPcb</b>		Variants: [No Variations]	
Title: <b>SPDT Relay 5V</b>		PiModules Nikaïas 49, Nea Smyrni 17122 Athens Greece	
Size: <b>A</b>	Number: <b>01122022.2</b>	Revision: <b>00001</b>	
Date: <b>10/3/2024</b> Time: <b>5:32:29 PM</b>	Sheet <b>10.1</b> of <b>23</b>		
File: <b>C:\PiModules\CRONUS_carrierboard\SPDT Relay 5V.SchDoc</b>			
www.pimodules.com			



Project: <b>CRONUS_carrierboard.PrjPcb</b>		Variants: [No Variations]	
Title: <b>SPDT Relay 5V</b>		PiModules Nikaïas 49, Nea Smyrni 17122 Athens Greece	
Size: <b>A</b>	Number: <b>01122022.1</b>	Revision: <b>00001</b>	
Date: <b>10/3/2024</b> Time: <b>5:32:29 PM</b>	Sheet <b>10.2</b> of <b>23</b>		
File: <b>C:\PiModules\CRONUS_carrierboard\SPDT Relay 5V.SchDoc</b>			
www.pimodules.com			

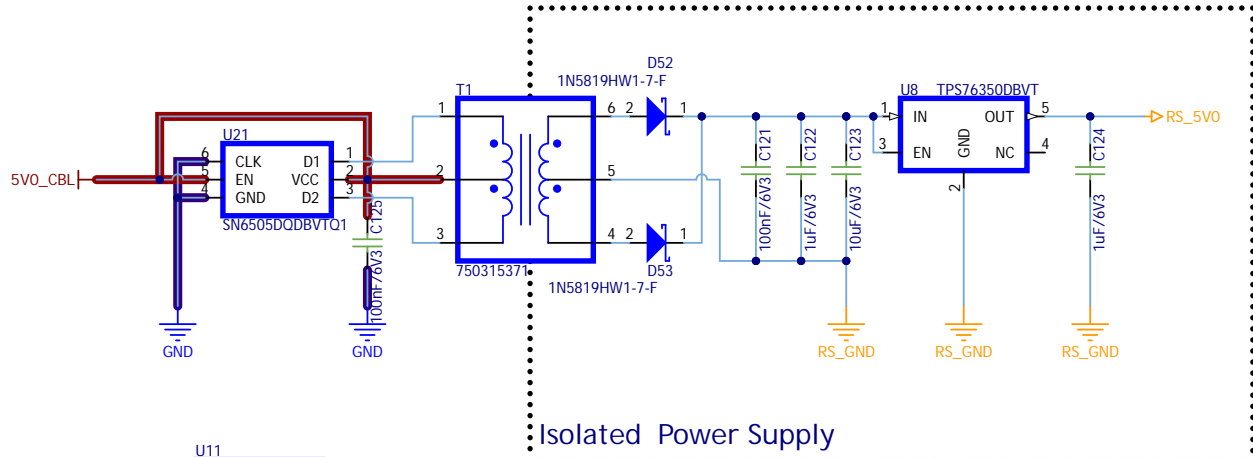


Project: CRONUS_carrierboard.PrjPcb			Variants: [No Variations]	
Title: 1GB Ethernet Interface			Pi Modules Nikaia 49, Nea Smyrni 171 22 Athens Greece	
Size: A4	Number: 01122022.	Revision: 00001		
Date: 10/3/2024	Time: 5:32:30 PM	Sheet 11 of 23		
File: C:\PiModules\CRONUS\CRONUS_carrierboard\1GB_Etherent_Interface.SchDoc				
www.pimodules.com				

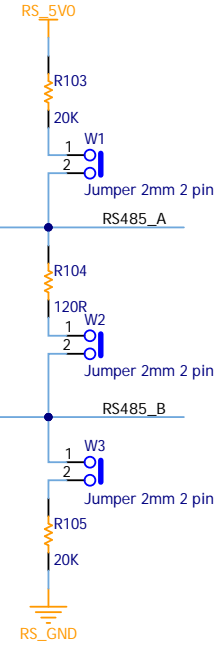
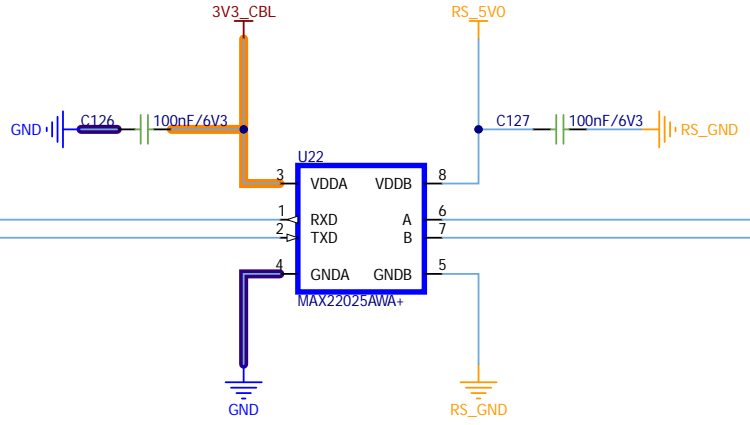
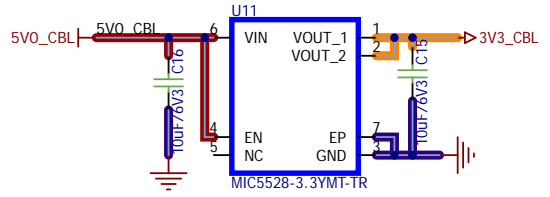
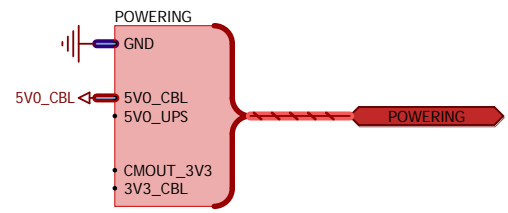



Project: CRONUS_carrierboard.PrjPcb		Variants: [No Variations]	
Title: HDMIO_Interface		Pi Modules Nikais 49, Nea Smyrni 171 22 Athens Greece	
Size: A4	Number: 01122022.	Revision: 00001	
Date: 10/3/2024	Time: 5:32:30 PM	Sheet 12	of 23
File: C:\PiModules\CRONUS\CRONUS_carrierboard\HDMIO_Interface.SchDoc		www.pimodules.com	

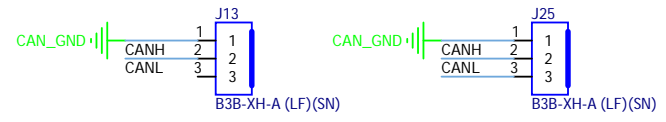
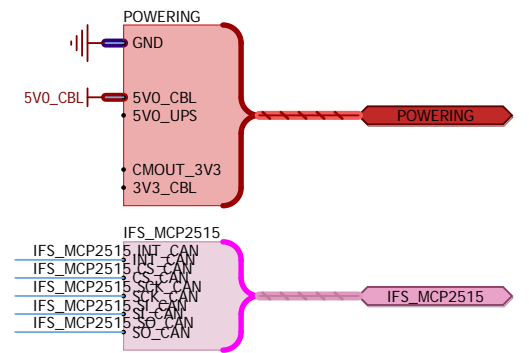
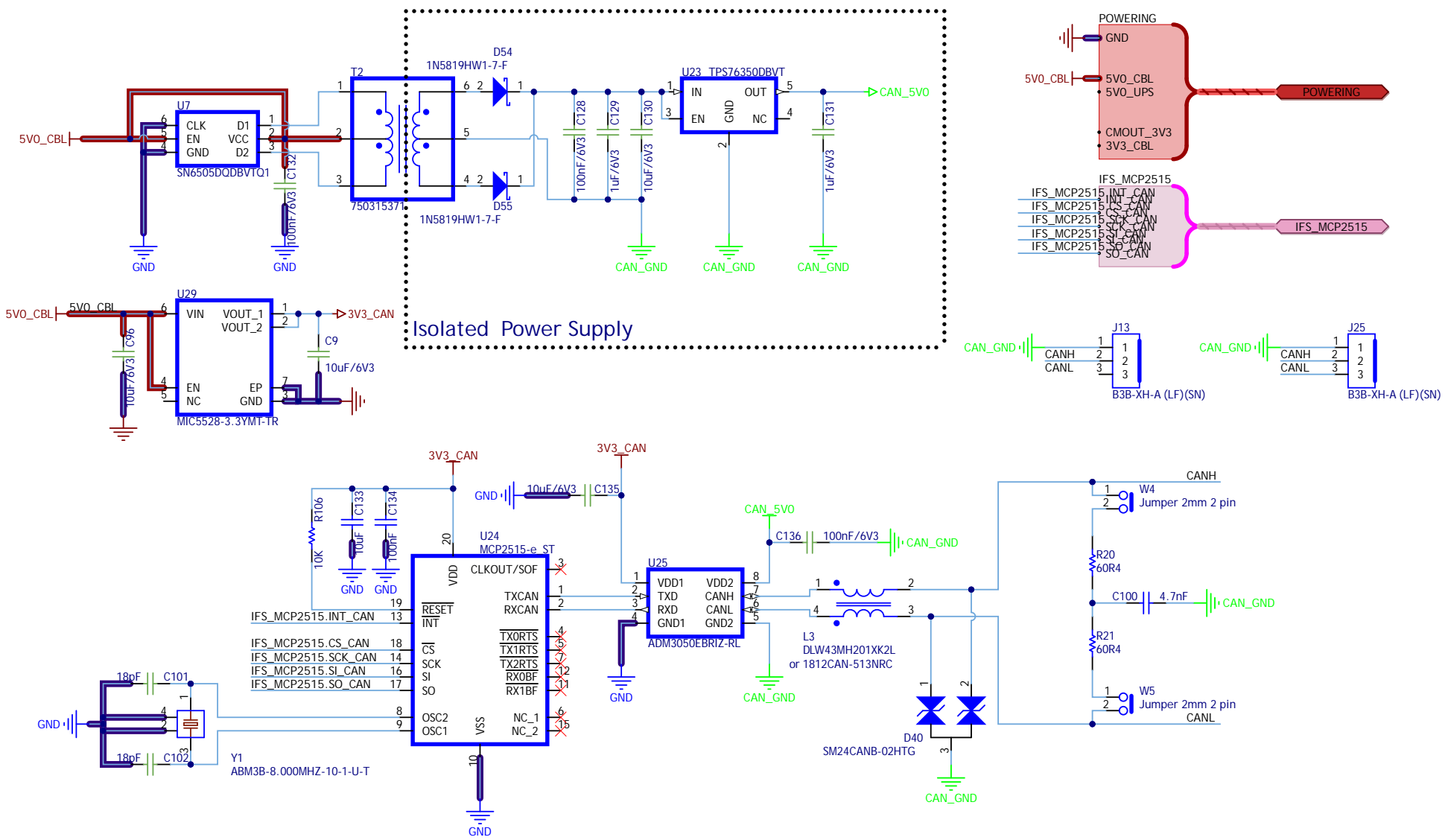





Isolated Power Supply

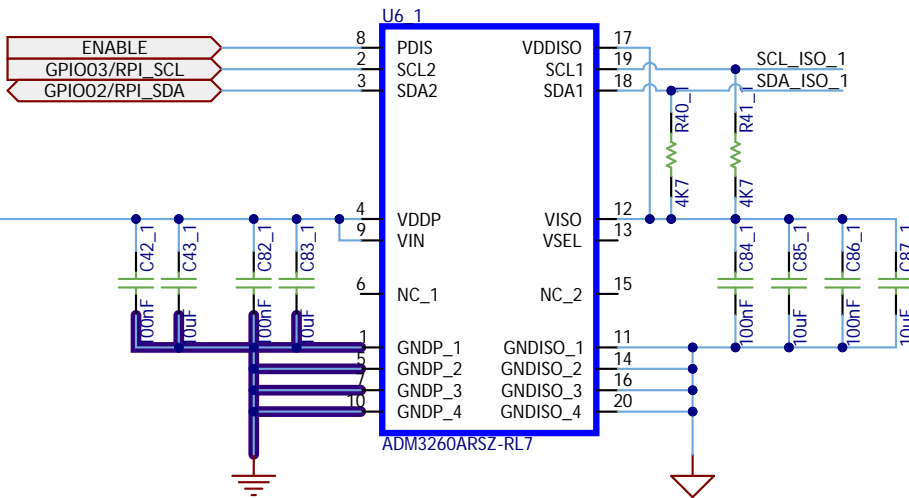
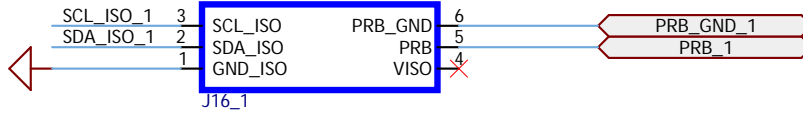
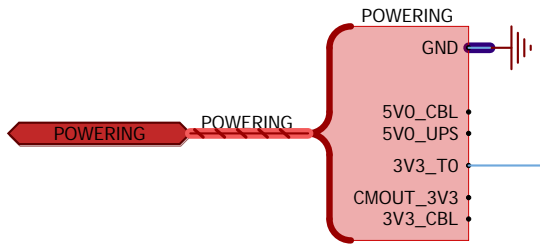


Project: CRONUS_carrierboard.PrjPcb			Variants: [No Variations]	
Title: Isolated RS485			Pi Modules Nikaia 49, Nea Smyrni 171 22 Athens Greece	
Size: A4	Number: 01122022.	Revision: 00001		
Date: 10/3/2024	Time: 5:32:31 PM	Sheet 13 of 23		
File: C:\PiModules\CRONUS\CRONUS_carrierboard\Isolated_RS485.SchDoc			www.pimodules.com	



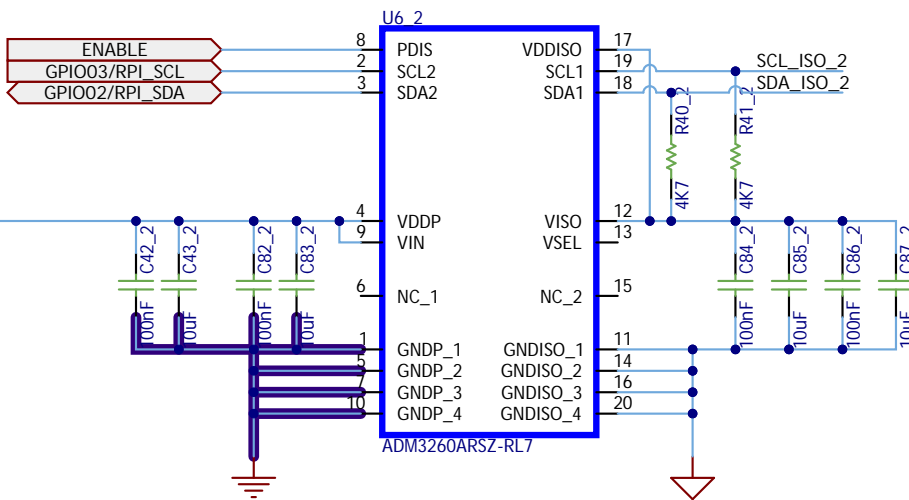
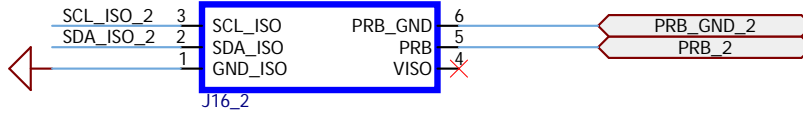
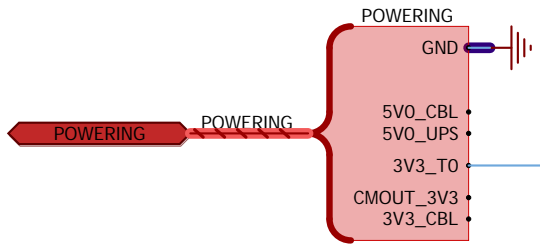
Project: CRONUS_carrierboard.PrjPcb			Variants: [No Variations]	
Title: Isolated CAN Interface			Pi Modules Nikaia 49, Nea Smyrni 171 22 Athens Greece	
Size: A4	Number: 01122022.	Revision: 00001		
Date: 10/3/2024 Time: 5:32:31 PM	Sheet 14	of 23		
File: C:\PiModules\CRONUS\CRONUS_carrierboard\Isolated_CAN.SchDoc			www.pimodules.com	





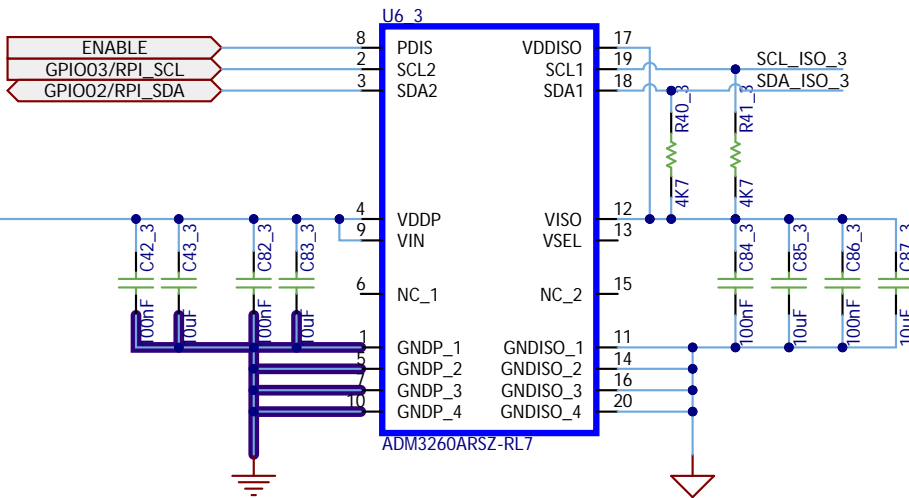
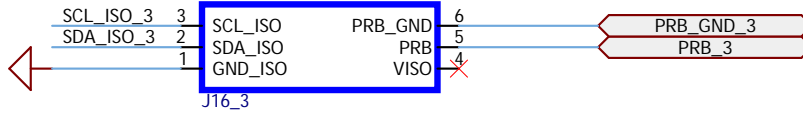
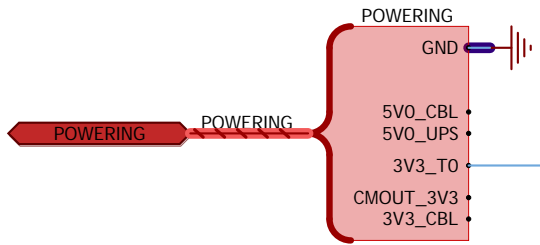
Project: <b>CRONUS_carrierboard.PrjPcb</b>			Variants: [No Variations]	
Title: <b>Whitebox TO Isolator</b>			PiModules Nikaia 49, Nea Smyrni 17122 Athens Greece	
Size: <b>A</b>	Number: <b>.3</b>	Revision:		
Date: 10/3/2024 Time: 5:32:31 PM		Sheet 15.1 of 23		
File: C:\PiModules\CRONUS\CRONUS_carrierboard\Whitebox TO Isolator.SchDoc			www.pimodules.com	





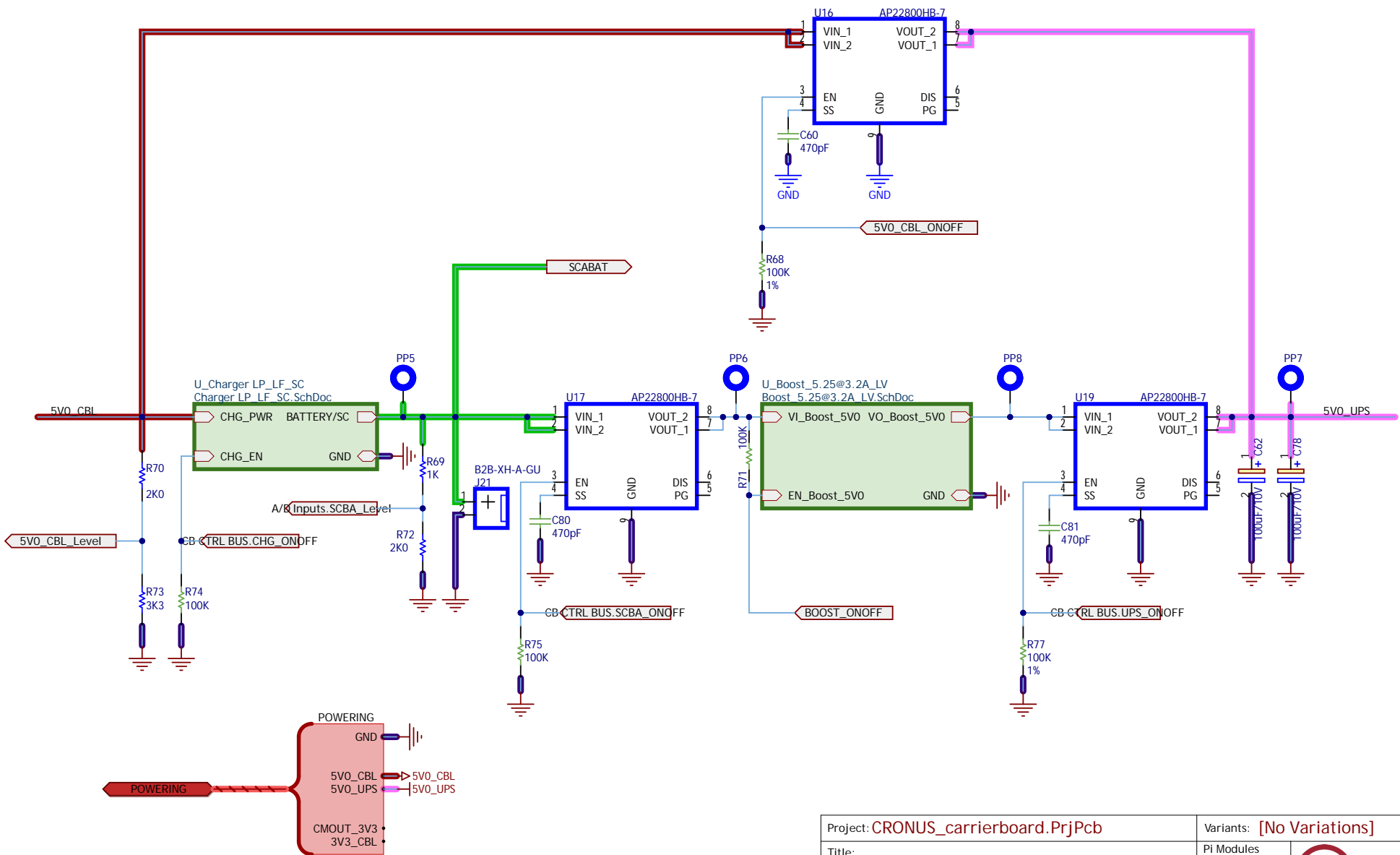
Project: <b>CRONUS_carrierboard.PrjPcb</b>			Variants: [No Variations]	
Title: <b>Whitebox TO Isolator</b>			PiModules Nikaia 49, Nea Smyrni 17122 Athens Greece	
Size: <b>A</b>	Number: <b>.2</b>	Revision:		
Date: 10/3/2024 Time: 5:32:32 PM		Sheet 15.2 of 23		
File: C:\PiModules\CRONUS\CRONUS_carrierboard\Whitebox TO Isolator.SchDoc			www.pimodules.com	





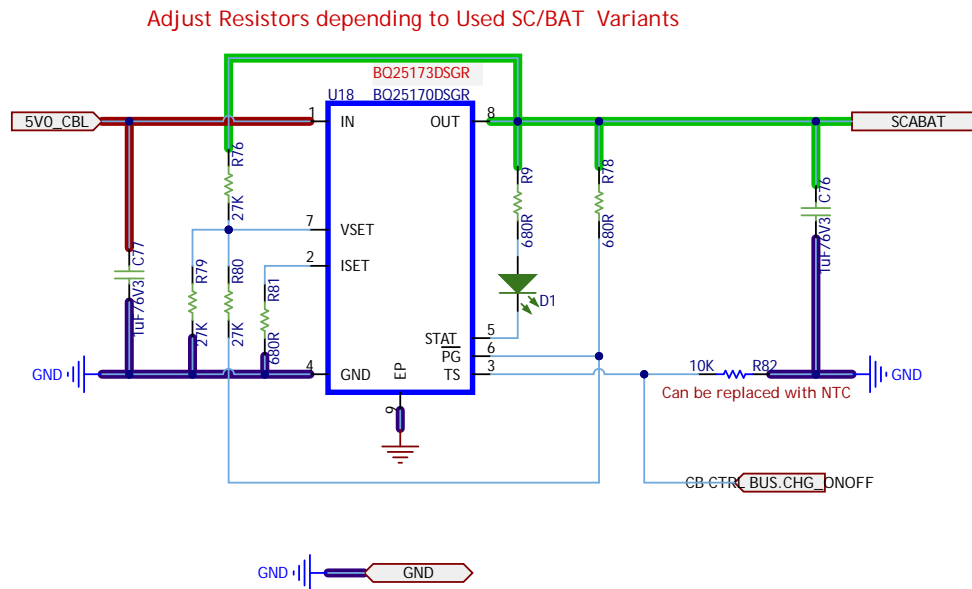
Project: <b>CRONUS_carrierboard.PrjPcb</b>			Variants: [No Variations]	
Title: <b>Whitebox TO Isolator</b>			PiModules Nikaia 49, Nea Smyrni 17122 Athens Greece	
Size: <b>A</b>	Number: <b>.1</b>	Revision:		
Date: 10/3/2024 Time: 5:32:32 PM		Sheet 15.3 of 23		
File: C:\PiModules\CRONUS\CRONUS_carrierboard\Whitebox TO Isolator.SchDoc			www.pimodules.com	




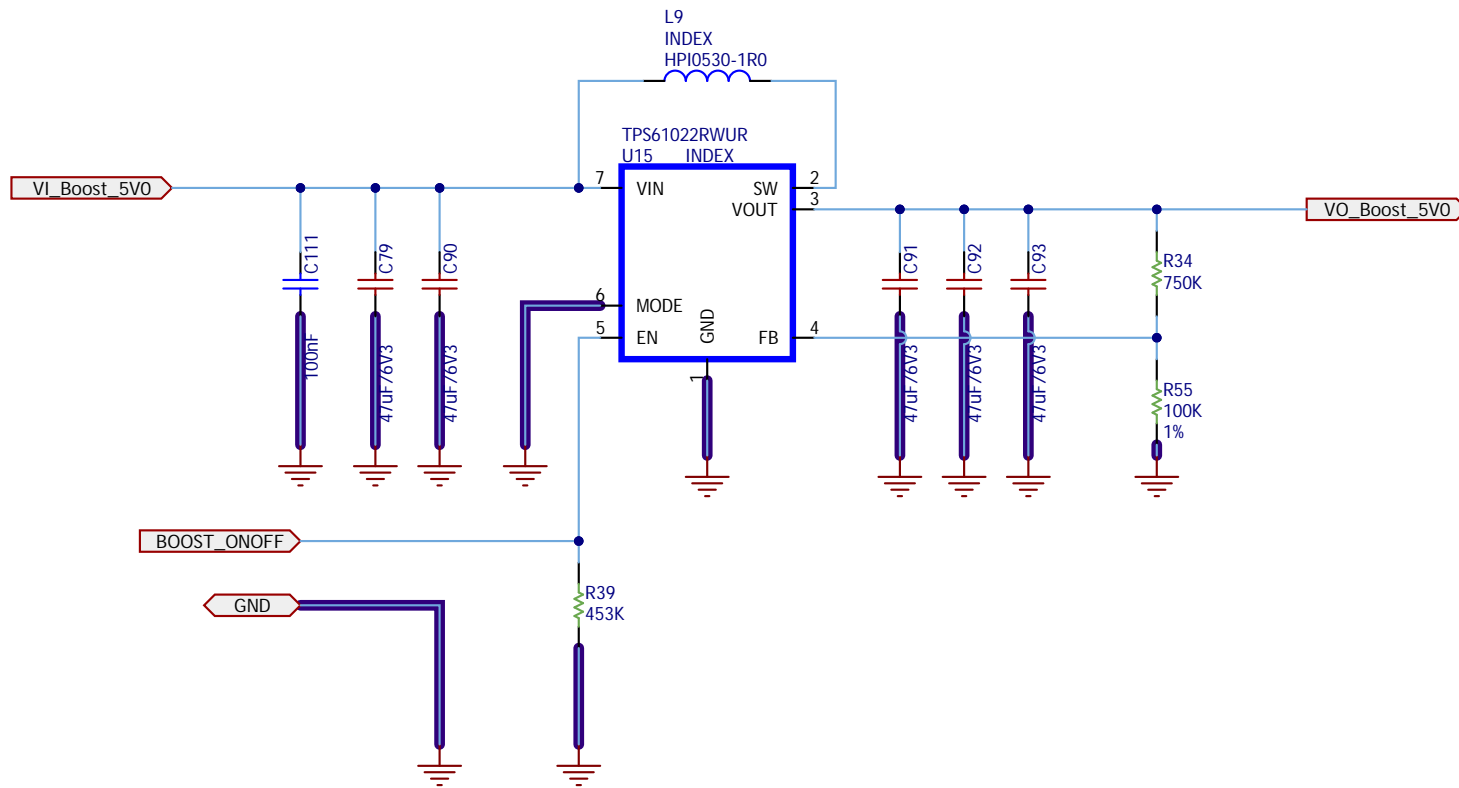



Project: CRONUS_carrierboard.PrjPcb			Variants: [No Variations]	
Title:			Pi Modules Nikaïas 49, Nea Smyrni 171 22 Athens Greece	
Size: A4	Number: .	Revision:		
Date: 10/3/2024	Time: 5:32:32 PM	Sheet 16	of 23	
File: C:\PiModules\CRONUS\CRONUS_carrierboard\UPS.SchDoc			www.pimodules.com	

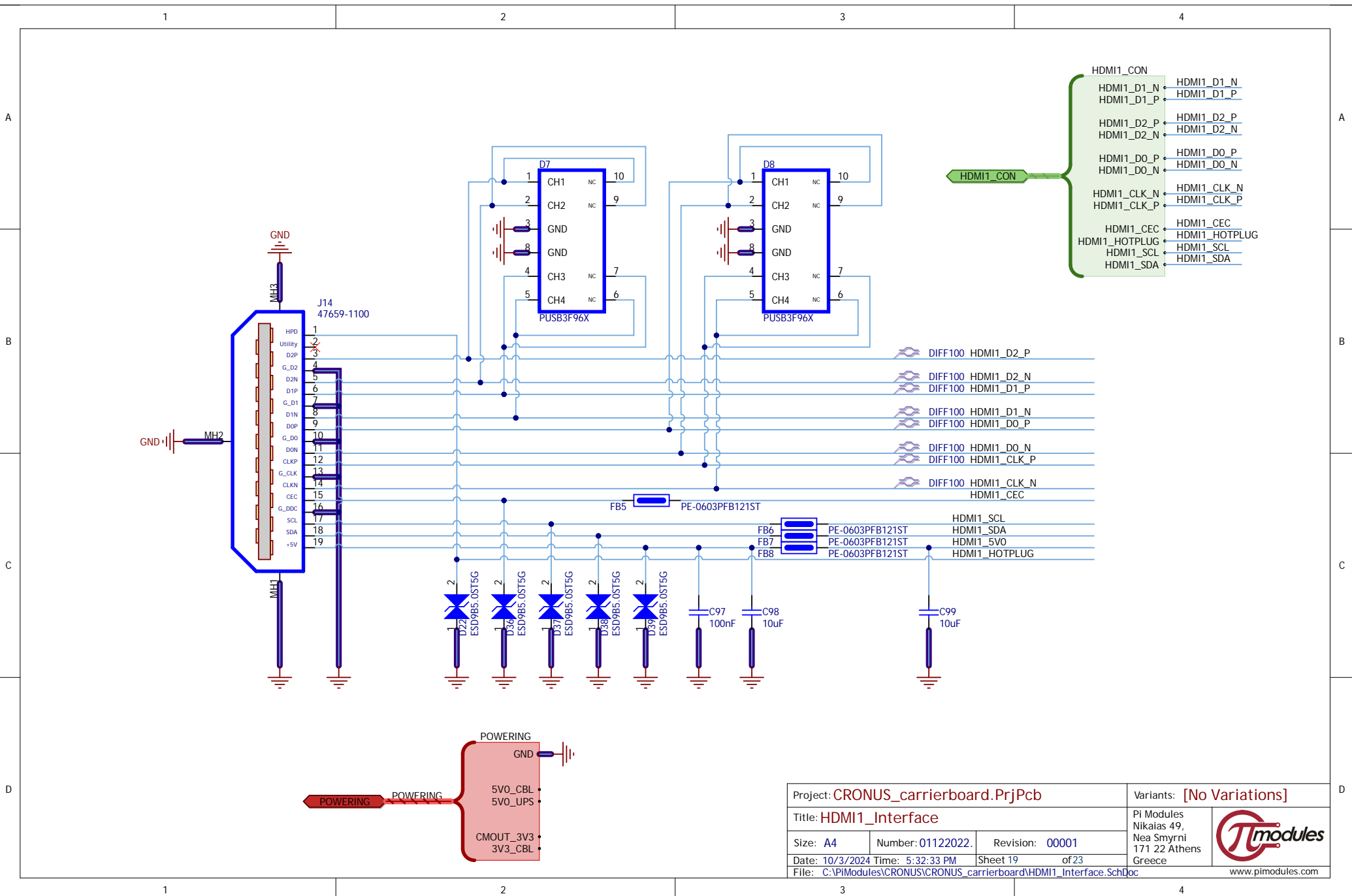




Project: CRONUS_carrierboard.PrjPcb			Variants: [No Variations]	
Title: Charger LP/LF/SC			Pi Modules Nikaia 49, Nea Smyrni 171 22 Athens Greece	
Size: A4	Number: 01122022.	Revision: 00001		
Date: 10/3/2024 Time: 5:32:33 PM	Sheet 17	of 23		
File: C:\PiModules\CRONUS\CRONUS_carrierboard\Charger_LP_LF_SC.SchDoc			www.pimodules.com	



Project: <b>CRONUS_carrierboard.PrjPcb</b>			Variants: <b>[No Variations]</b>	
Title: <b>5.25@3.2A Boost Converter</b>			PiModules Nikaïas 49, Nea Smyrni 17122 Athens Greece	
Size: <b>A</b>	Number: <b>01012020</b>	Revision: <b>001</b>		
Date: <b>10/3/2024</b> Time: <b>5:32:33 PM</b>	Sheet <b>18</b>	of <b>23</b>		
File: <b>C:\PiModules\CRONUS_carrierboard\Boost_5.25@3.2A_LV.SchDoc</b>			www.pimodules.com	



HDMI1_CON	
HDMI1_D1_N	HDMI1_D1_N
HDMI1_D1_P	HDMI1_D1_P
HDMI1_D2_P	HDMI1_D2_P
HDMI1_D2_N	HDMI1_D2_N
HDMI1_DO_P	HDMI1_DO_P
HDMI1_DO_N	HDMI1_DO_N
HDMI1_CLK_N	HDMI1_CLK_N
HDMI1_CLK_P	HDMI1_CLK_P
HDMI1_CEC	HDMI1_CEC
HDMI1_HOTPLUG	HDMI1_HOTPLUG
HDMI1_SCL	HDMI1_SCL
HDMI1_SDA	HDMI1_SDA

Project: CRONUS_carrierboard.PrjPcb		Variants: [No Variations]	
Title: HDMI1_Interface		Pi Modules Nikias 49, Nea Smyrni 171 22 Athens Greece	
Size: A4	Number: 01122022.	Revision: 00001	
Date: 10/3/2024	Time: 5:32:33 PM	Sheet 19	of 23
File: C:\PiModules\CRONUS\CRONUS_carrierboard\HDMI1_Interface.SchDoc		www.pimodules.com	

