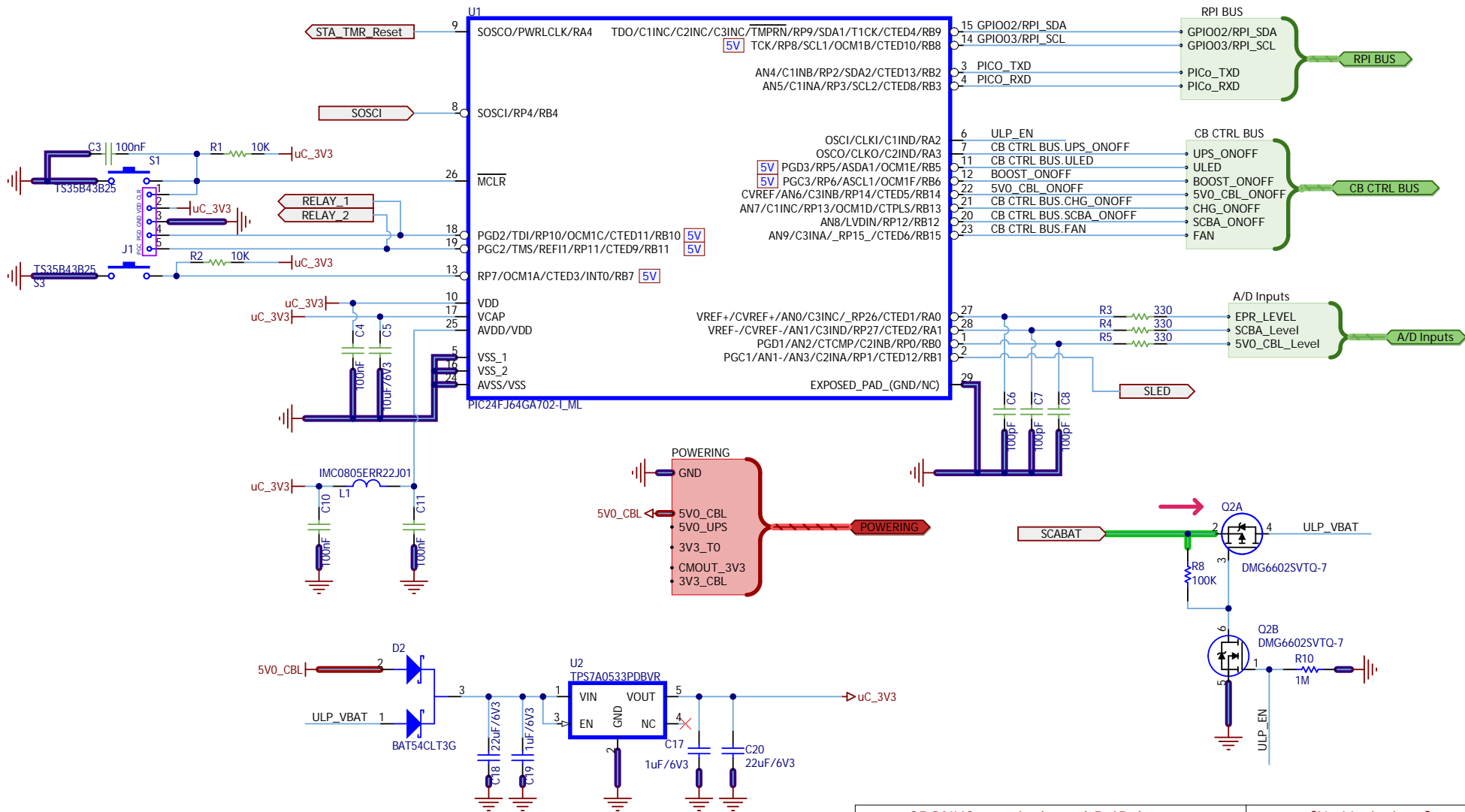

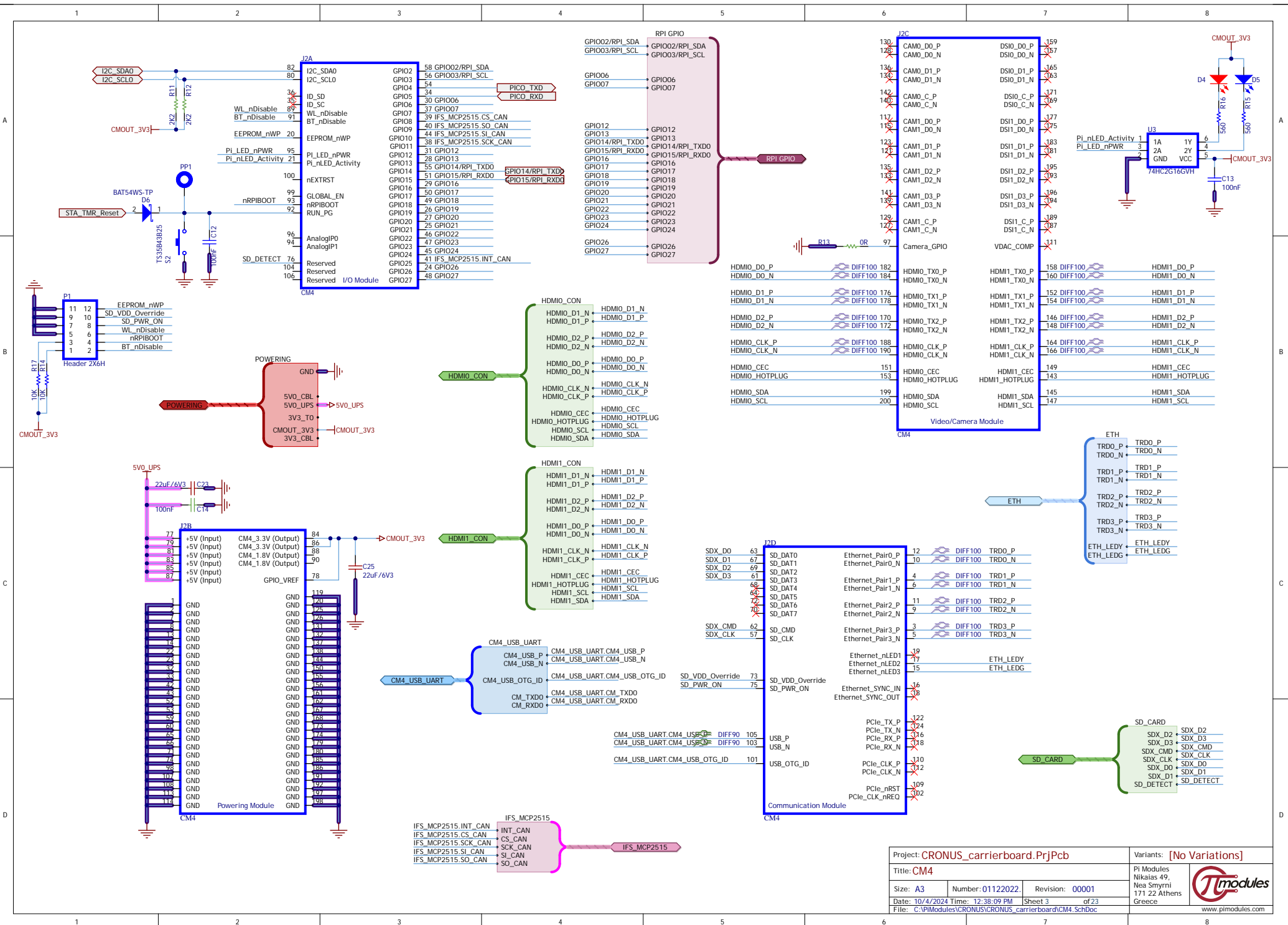



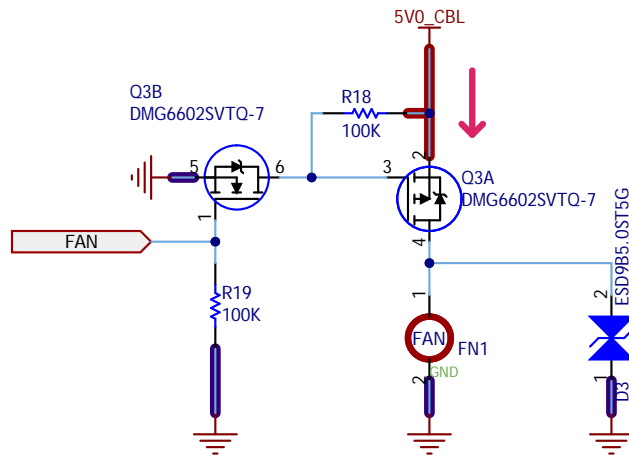
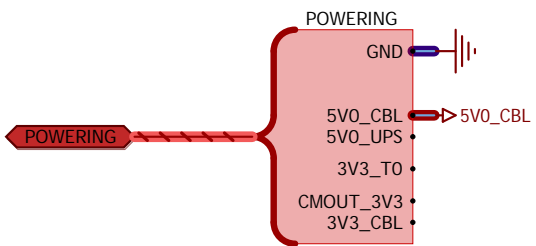
Project: CRONUS_carrierboard.PrjPcb			Variants: [No Variations]		
Title: ROOT					
Size: A3	Number: 01122022	Revision: 00001	Pi Modules Nikitas 49, Nea Smyrni 171 22 Athens Greece		
Date: 10/4/2024	Time: 12:38:08 PM	Sheet 1 of 23	www.pimodules.com		
File: C:\PiModules\CRONUS\CRONUS_carrierboard\Root_SchDoc			www.pimodules.com		




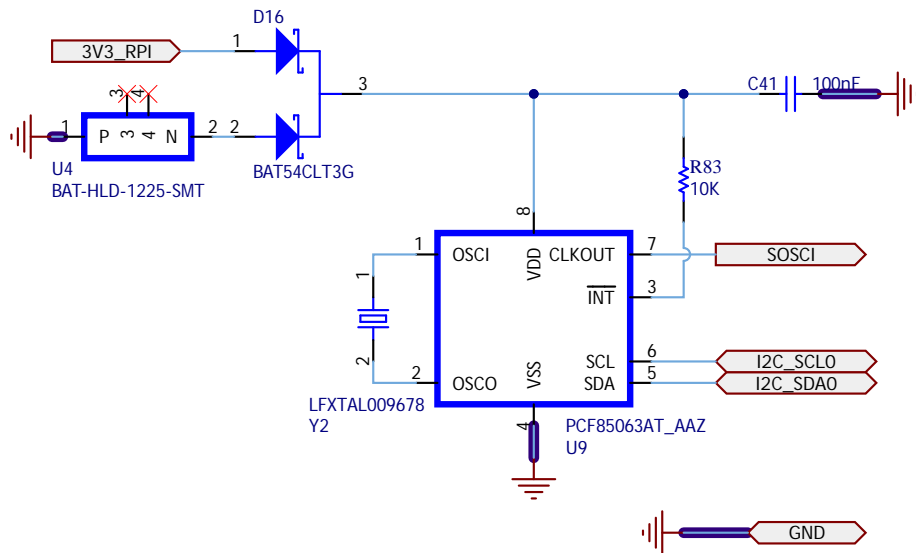
Project: CRONUS_carrierboard.PrjPcb			Variants: [No Variations]	
Title: CPU			Pi Modules Nikais 49, Nea Smyrni 171 22 Athens Greece	
Size: A4	Number: 01122022.	Revision: 00001		
Date: 10/4/2024 Time: 12:38:09 PM	Sheet 2	of 23		
File: C:\PiModules\CRONUS\CRONUS_carrierboard\CPU.SchDoc			www.pimodules.com	




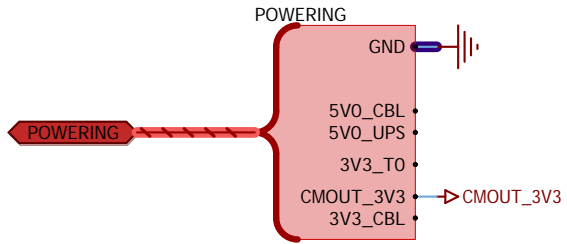
Project: CRONUS_carrierboard.PrjPcb			Variants: [No Variations]		
Title: CM4					
Size: A3	Number: 01122022	Revision: 00001	PI Modules Nikitas 49, Nesa Smyrni 171 22 Athens Greece		
Date: 10/4/2024	Time: 12:38:09 PM	Sheet 3 of 23	 www.pimodules.com		
File: C:\PIModules\CRONUS\CRONUS_carrierboard\CM4.SchDoc					



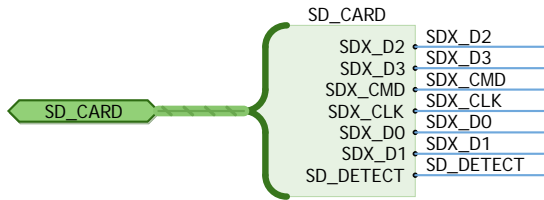
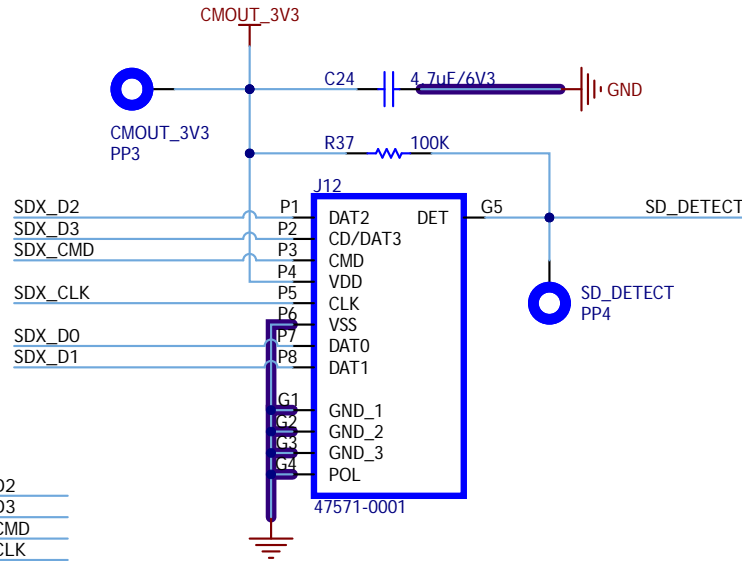
Project: CRONUS_carrierboard.PrjPcb			Variants: [No Variations]	
Title:			PiModules Nikaïas 49, Nea Smyrni 17122 Athens Greece	
Size: A	Number: .	Revision:	 www.pimodules.com	
Date: 10/4/2024	Time: 12:38:10 PM	Sheet 4 of 23		
File: C:\PiModules\CRONUS_carrierboard\FAN.SchDoc				



Project: CRONUS_carrierboard.PrjPcb			Variants: [No Variations]	
Title:			PiModules Nikaia 49, Nea Smyrni 17122 Athens Greece	
Size: A	Number: .	Revision:	 www.pimodules.com	
Date: 10/4/2024 Time: 12:38:10 PM	Sheet 5	of 23		
File: C:\PiModules\CRONUS\CRONUS_carrierboard\RTC.SchDoc				

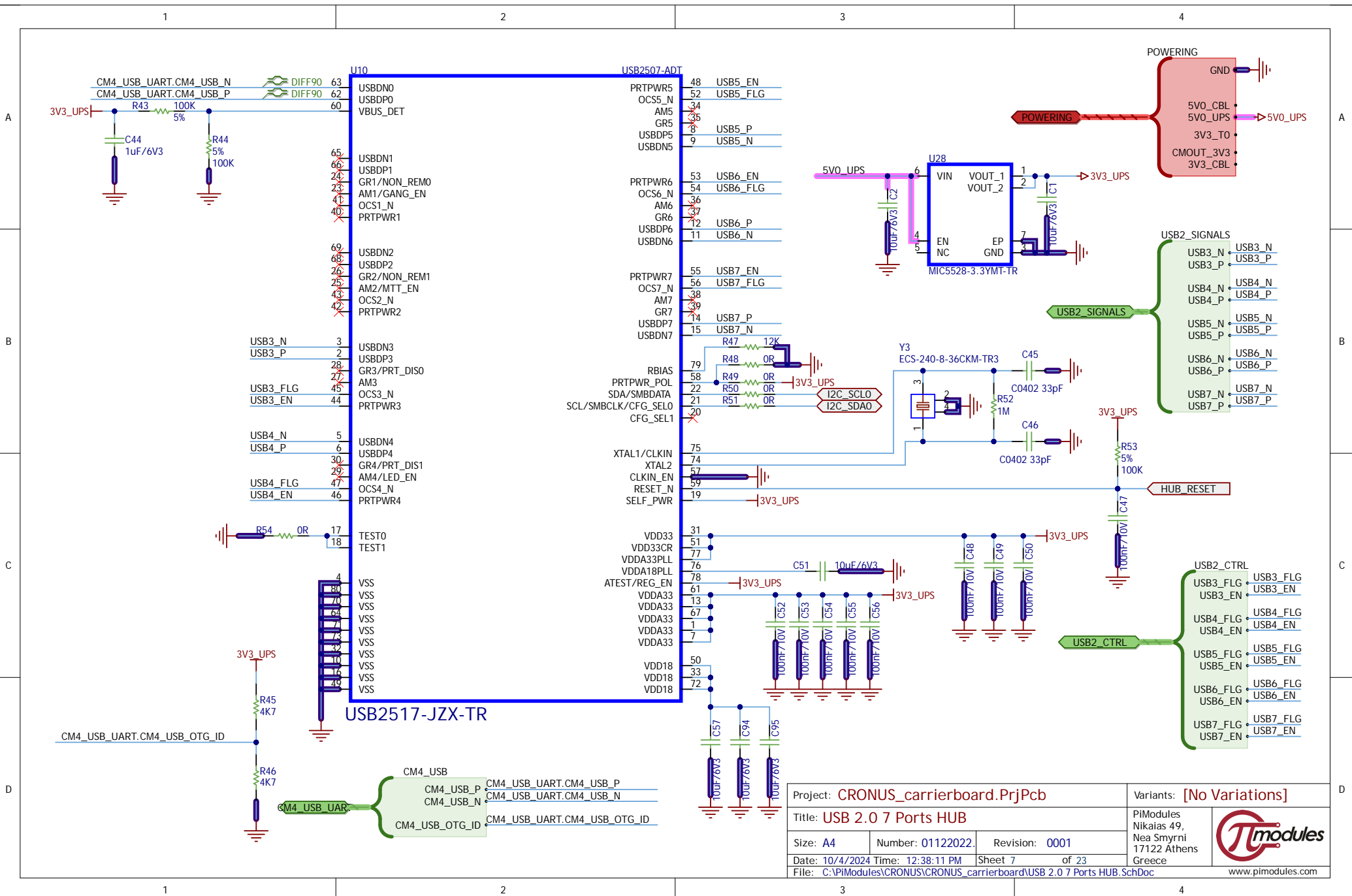



CMOUT_3V3 is originated by CM4 and is protected by UPS

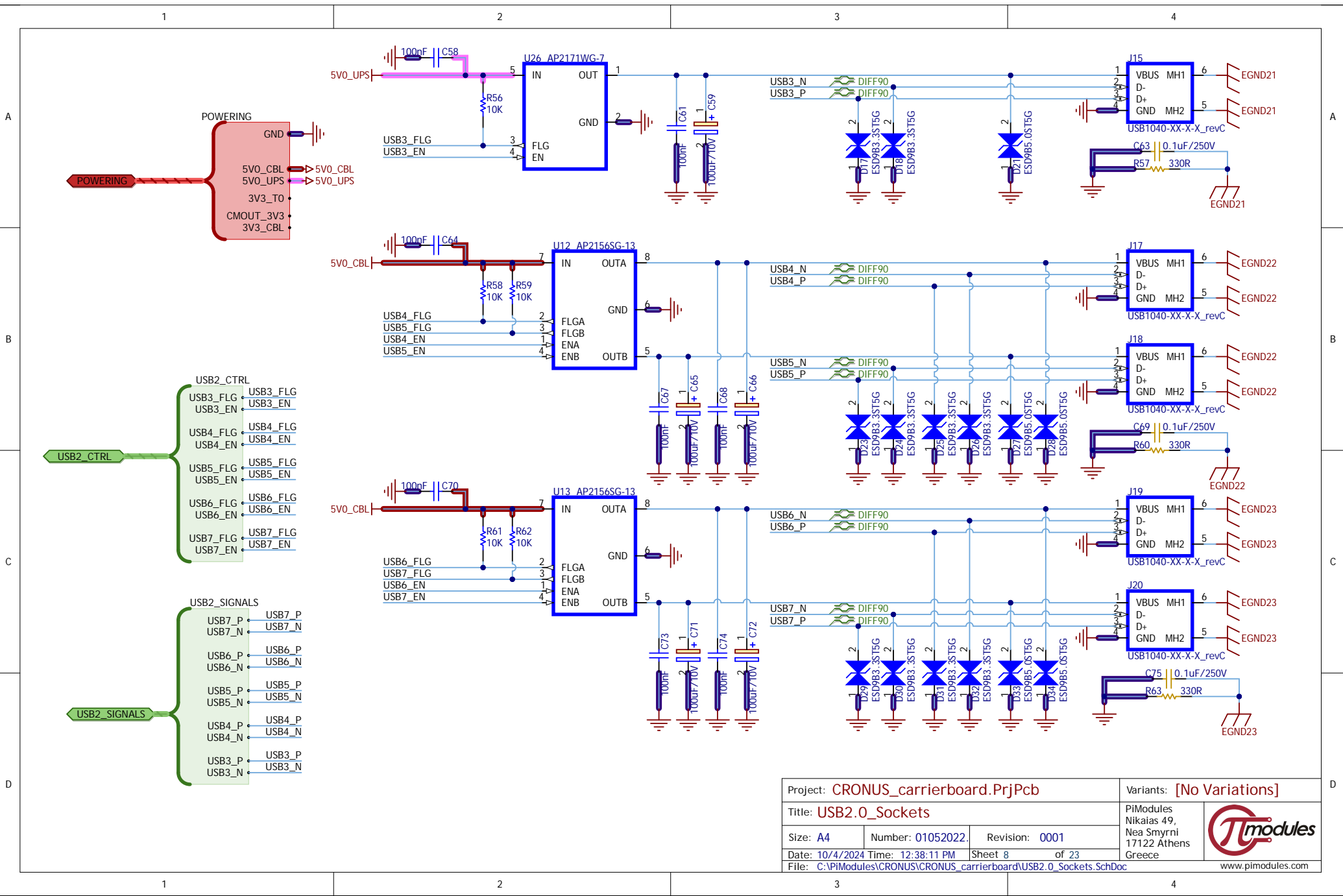



Project: CRONUS_carrierboard.PrjPcb			Variants: [No Variations]	
Title: Evergreen Miner SD Card			PiModules Nikaias 49, Nea Smyrni 17122 Athens Greece	
Size: A	Number: 01052022	Revision:		
Date: 10/4/2024	Time: 12:38:10 PM	Sheet 6	of 23	
File: C:\PiModules\CRONUS_carrierboard\SD Card.SchDoc			www.pimodules.com	

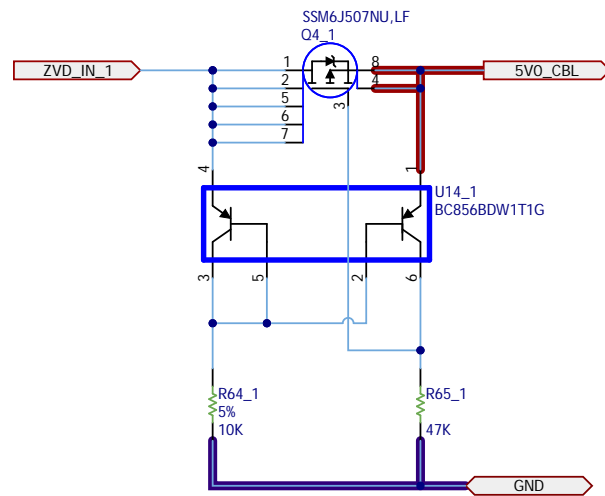





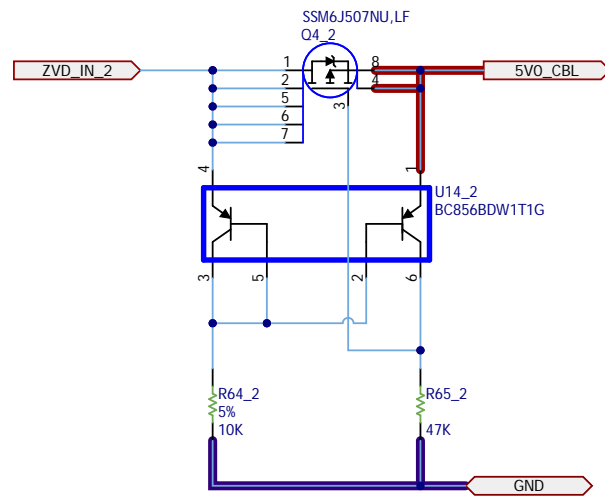
Project: CRONUS_carrierboard.PrjPcb		Variants: [No Variations]	
Title: USB 2.0 7 Ports HUB		PiModules Nikaia 49, Nea Smyrni 17122 Athens Greece	
Size: A4	Number: 01122022	Revision: 0001	
Date: 10/4/2024	Time: 12:38:11 PM	Sheet 7 of 23	
File: C:\PiModules\CRONUS\CRONUS_carrierboard\USB 2.0 7 Ports HUB.SchDoc			www.pi-modules.com




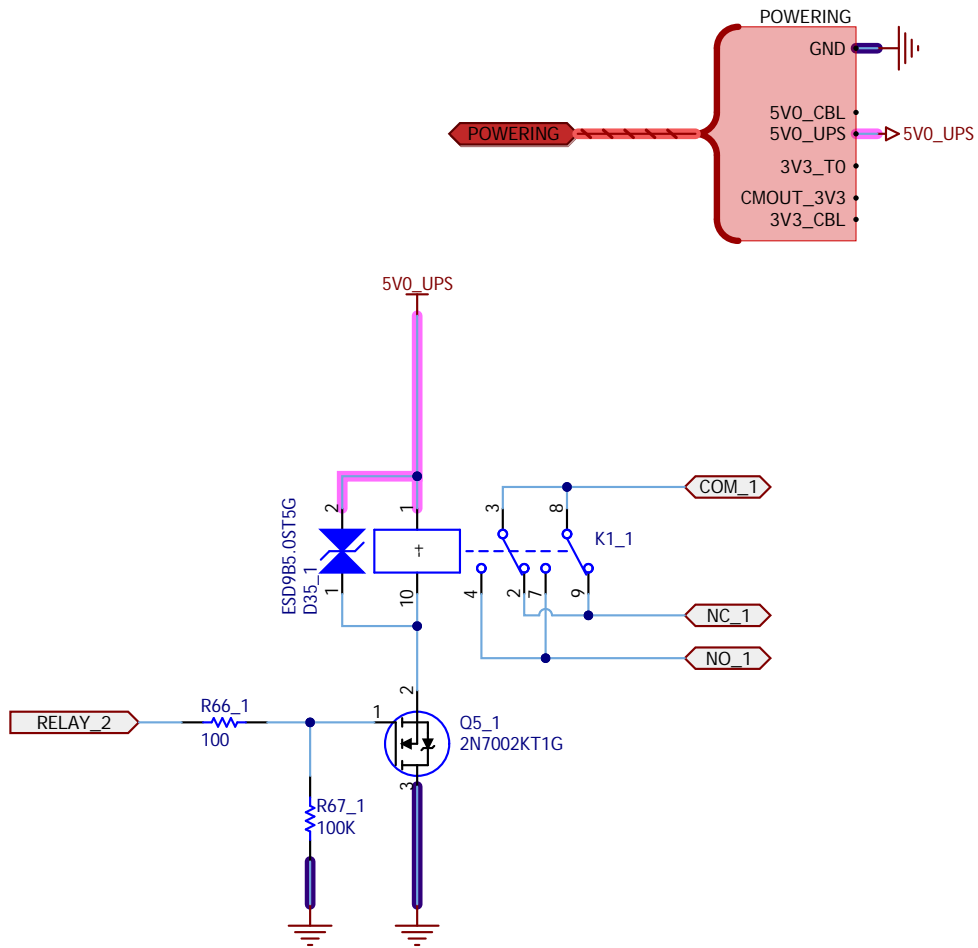
Project: CRONUS_carrierboard.PrjPcb		Variants: [No Variations]	
Title: USB2.0_Sockets		PiModules Nikaia 49, Nea Smyrni 17122 Athens Greece	
Size: A4	Number: 01052022	Revision: 0001	
Date: 10/4/2024	Time: 12:38:11 PM	Sheet 8 of 23	
File: C:\PiModules\CRONUS\CRONUS_carrierboard\USB2.0_Sockets.SchDoc		www.pimodules.com	




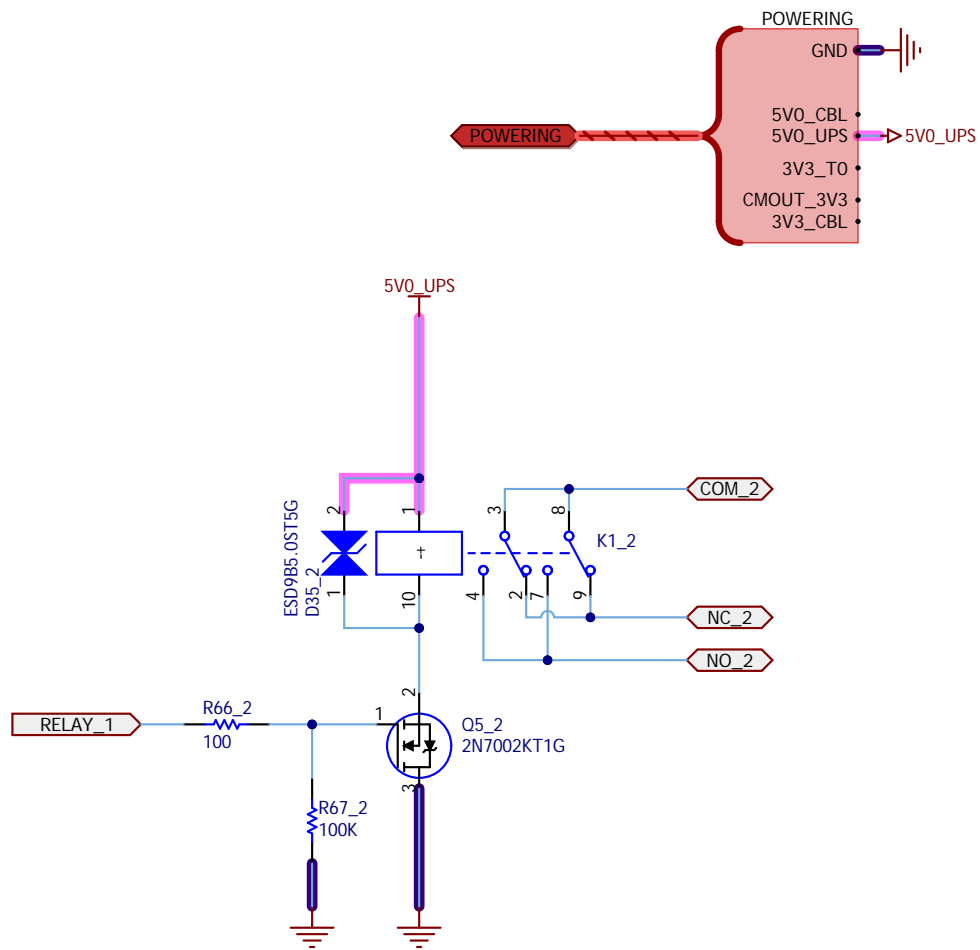
Project: CRONUS_carrierboard.PrjPcb			Variants: [No Variations]
Title:			Pi Modules Nikaias 49, Nea Smyrni 171 22 Athens Greece  www.pimodules.com
Size: A4	Number: .2	Revision:	
Date: 10/4/2024	Time: 12:38:11 PM	Sheet 9.1 of 23	
File: C:\PiModules\CRONUS\CRONUS_carrierboard\ZVD.SchDoc			




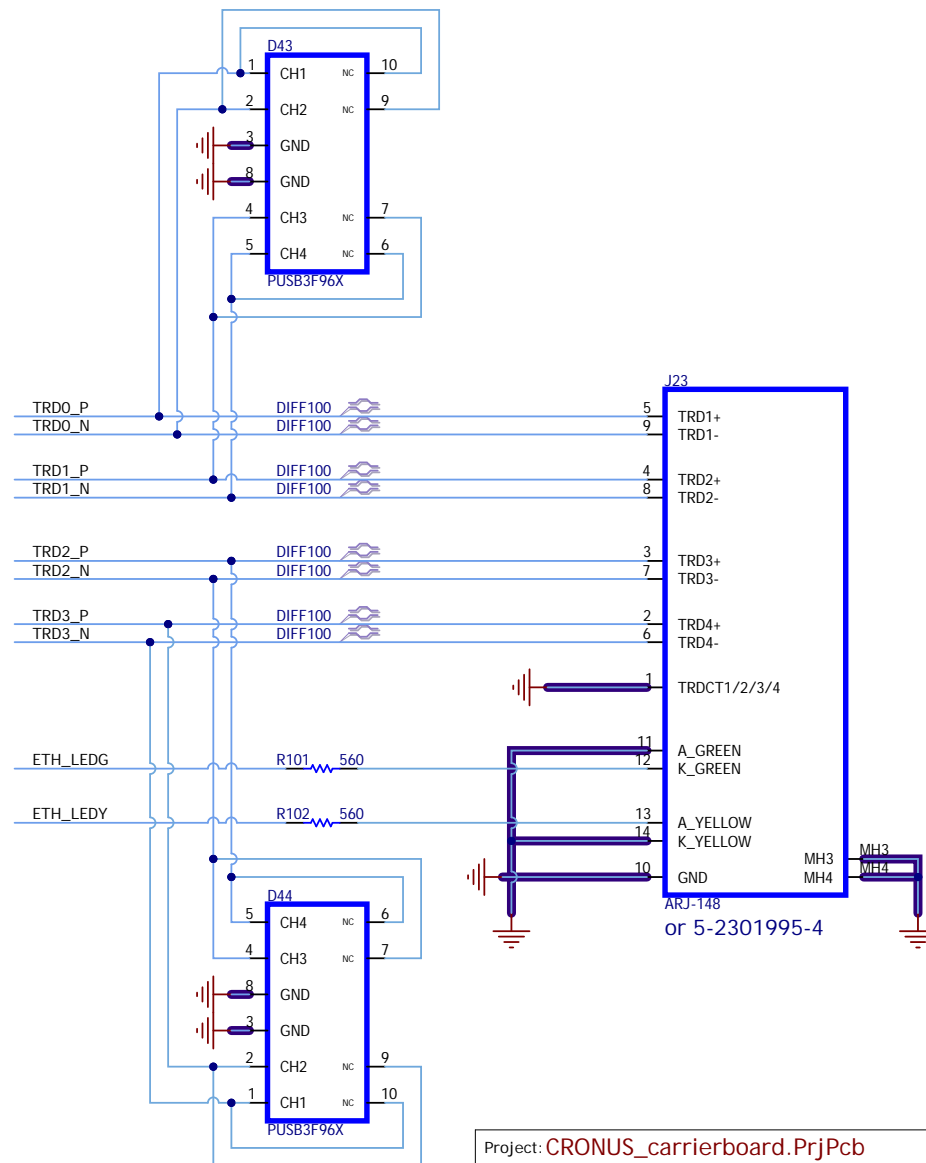
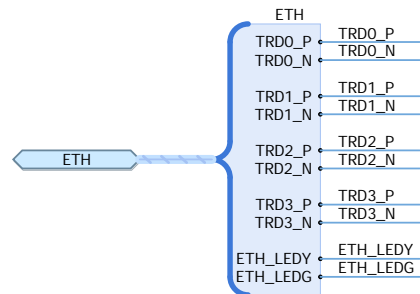
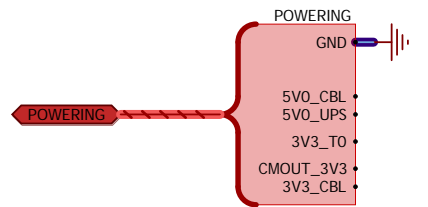
Project: CRONUS_carrierboard.PrjPcb			Variants: [No Variations]
Title:			Pi Modules Nikaïas 49, Nea Smyrni 171 22 Athens Greece
Size: A4	Number: .1	Revision:	 www.pimodules.com
Date: 10/4/2024	Time: 12:38:12 PM	Sheet 9.2 of 23	
File: C:\PiModules\CRONUS\CRONUS_carrierboard\ZVD.SchDoc			




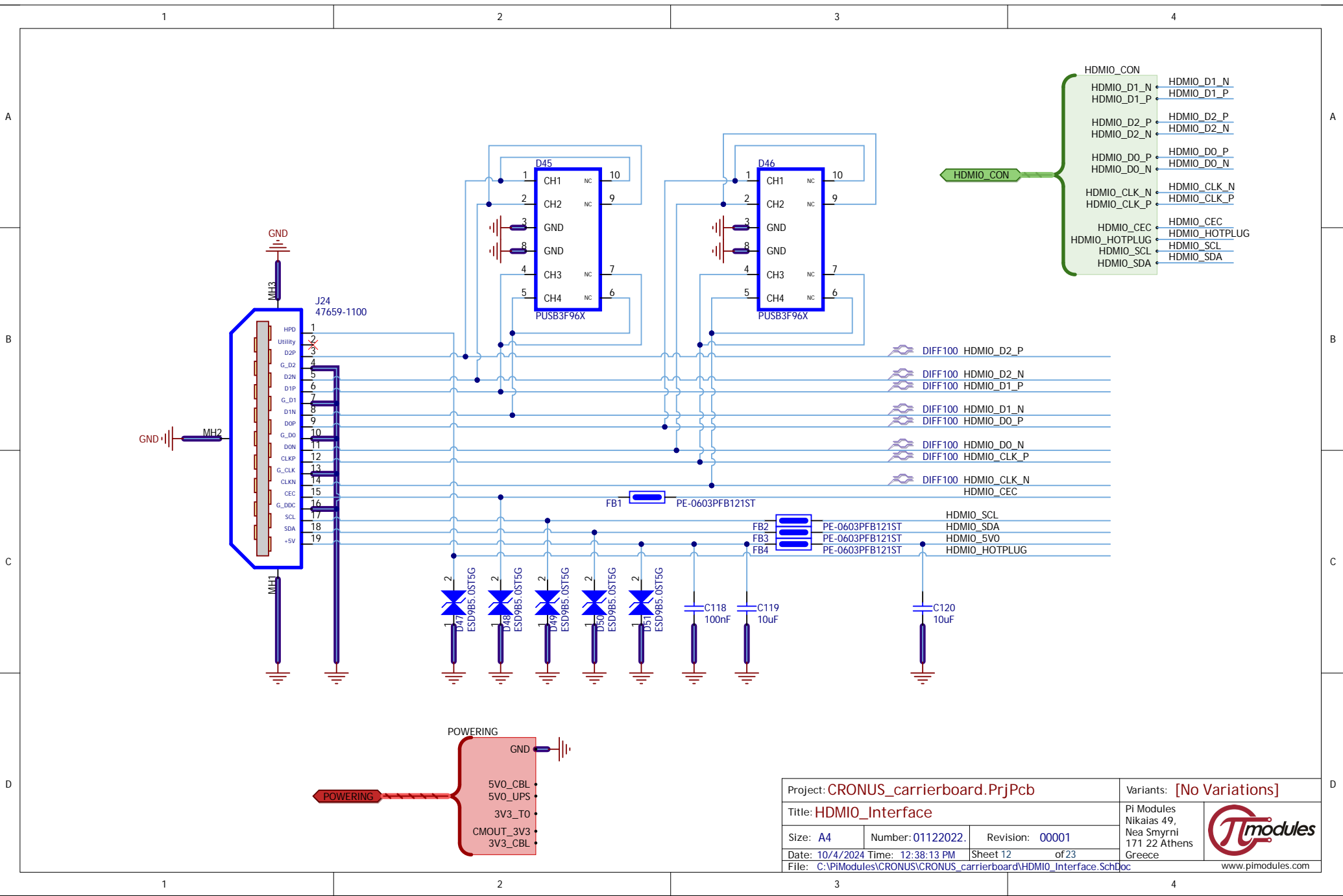
Project: CRONUS_carrierboard.PrjPcb		Variants: [No Variations]	
Title: SPDT Relay 5V		PiModules Nikaïas 49, Nea Smyrni 17122 Athens Greece	
Size: A	Number: 01122022.2	Revision: 00001	
Date: 10/4/2024 Time: 12:38:12 PM	Sheet 10.1 of 23		
File: C:\PiModules\CRONUS_carrierboard\SPDT Relay 5V.SchDoc			
www.pimodules.com			



Project: CRONUS_carrierboard.PrjPcb		Variants: [No Variations]	
Title: SPDT Relay 5V		PiModules Nikaïas 49, Nea Smyrni 17122 Athens Greece	
Size: A	Number: 01122022.1	Revision: 00001	
Date: 10/4/2024	Time: 12:38:12 PM	Sheet 10.2 of 23	
File: C:\PiModules\CRONUS_carrierboard\SPDT Relay 5V.SchDoc			www.pimodules.com



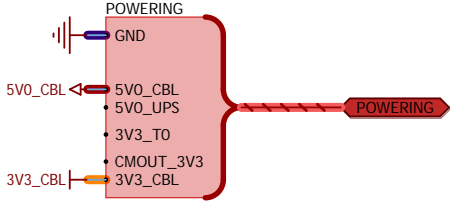
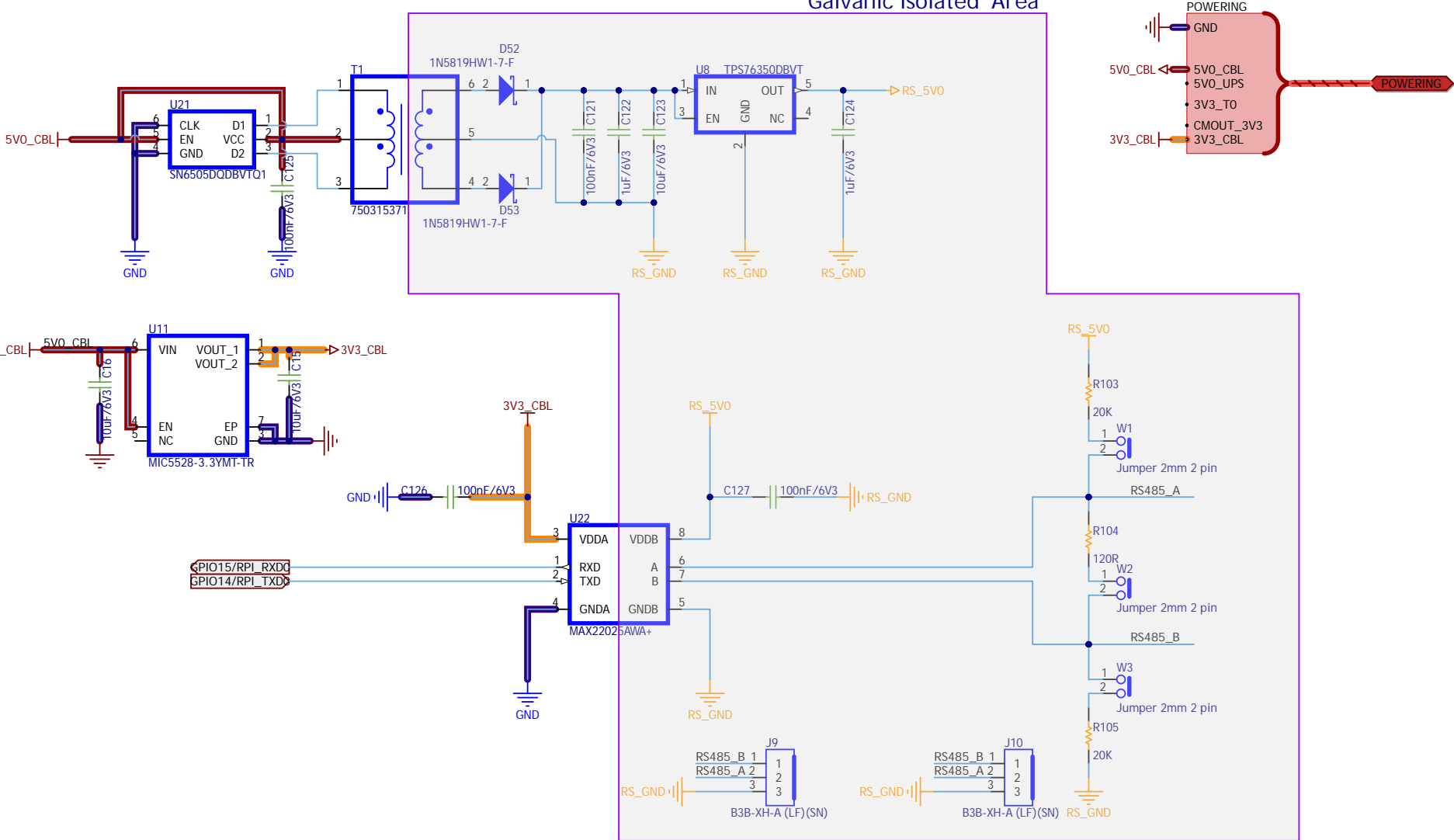
Project: CRONUS_carrierboard.PrjPcb			Variants: [No Variations]	
Title: 1GB Ethernet Interface			Pi Modules Nikaia 49, Nea Smyrni 171 22 Athens Greece	
Size: A4	Number: 01122022.	Revision: 00001		
Date: 10/4/2024	Time: 12:38:12 PM	Sheet 11 of 23		
File: C:\PiModules\CRONUS\CRONUS_carrierboard\1GB_Etherent_Interface.SchDoc				




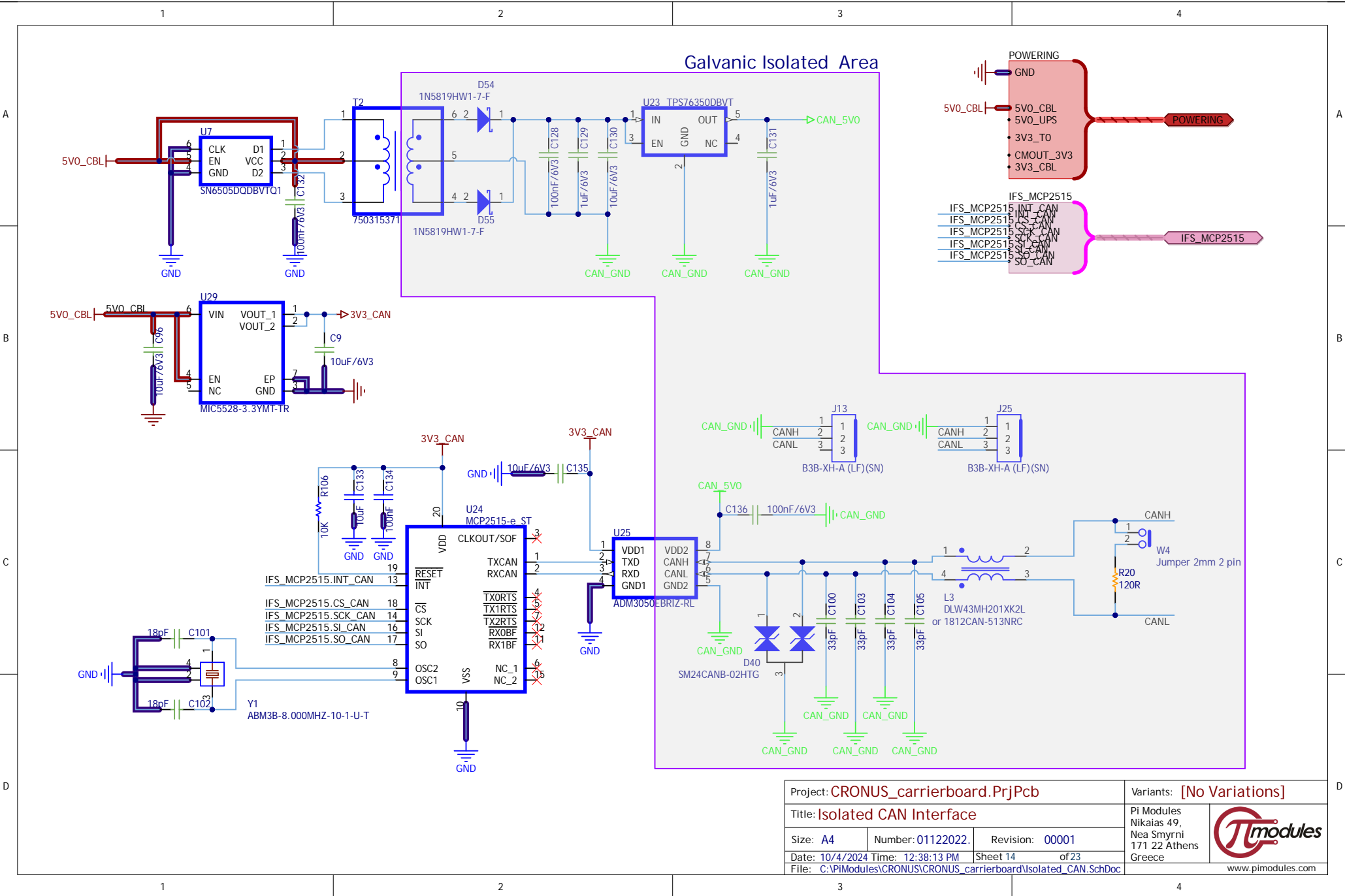
Project: CRONUS_carrierboard.PrjPcb		Variants: [No Variations]	
Title: HDMI_Interface		Pi Modules Nikias 49, Nea Smyrni 171 22 Athens Greece	
Size: A4	Number: 01122022.	Revision: 00001	
Date: 10/4/2024	Time: 12:38:13 PM	Sheet 12	of 23
File: C:\PiModules\CRONUS\CRONUS_carrierboard\HDMI_Interface.SchDoc		www.pimodules.com	




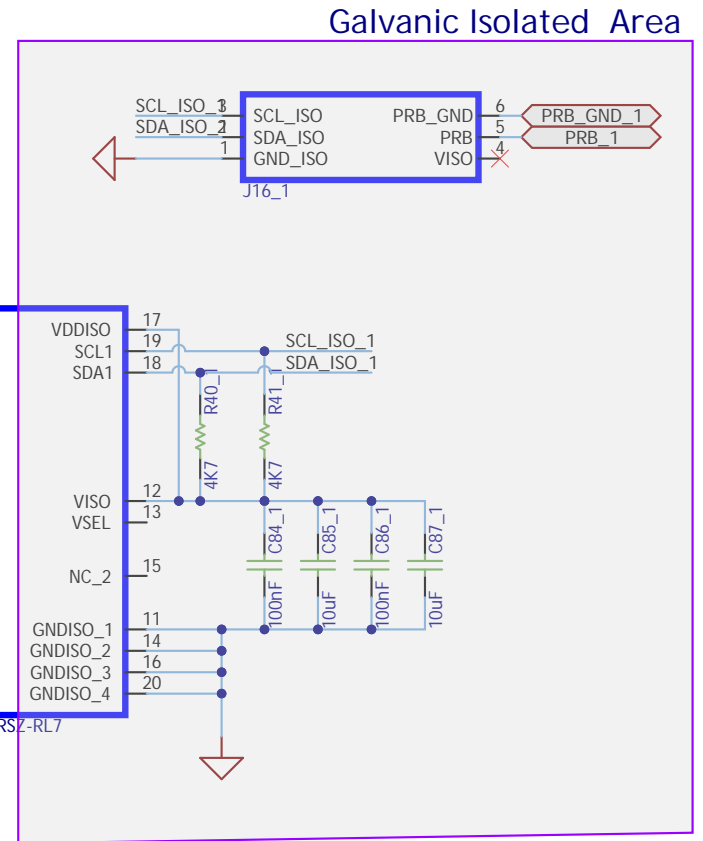
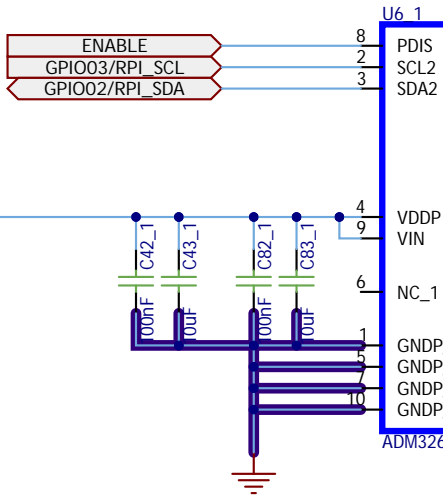
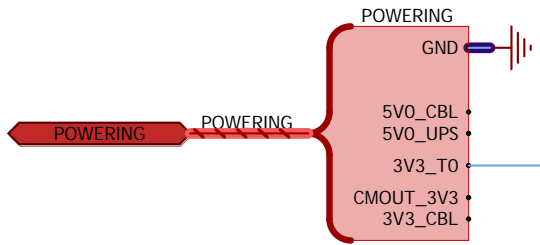
Galvanic Isolated Area




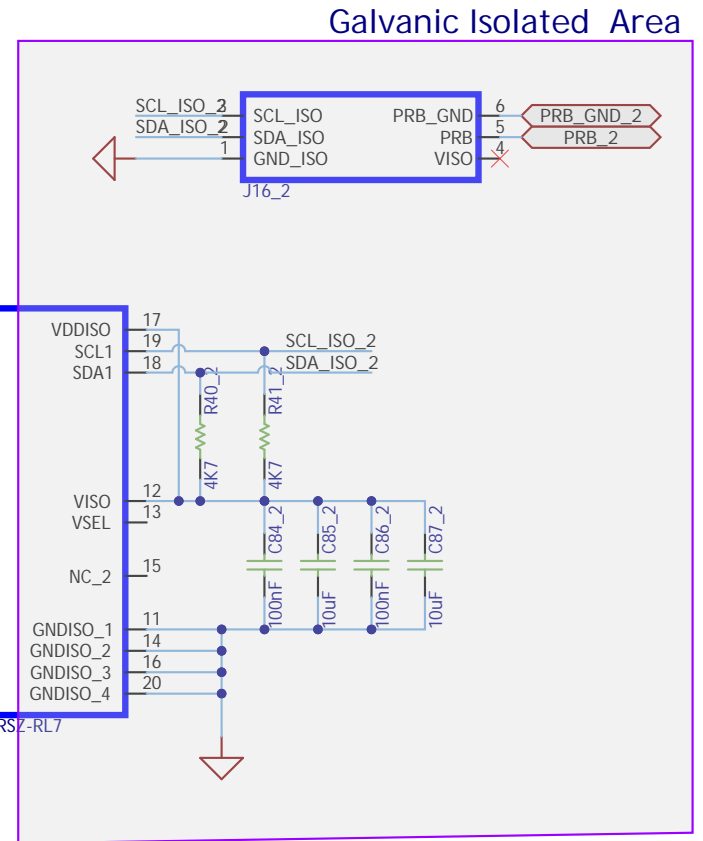
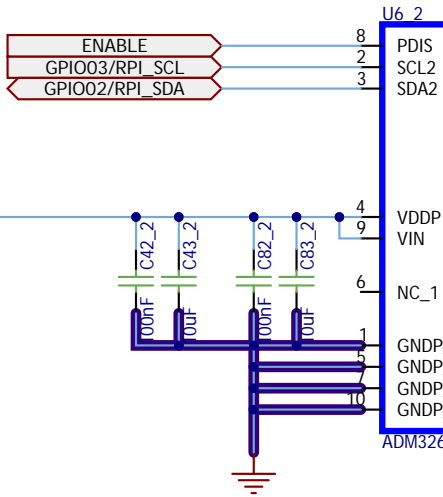
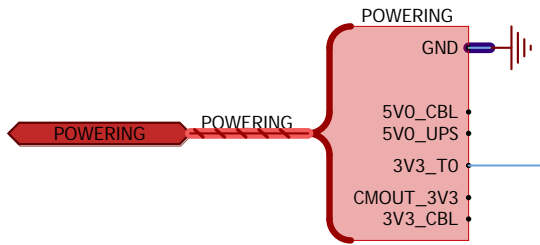
Project: CRONUS_carrierboard.PrjPcb			Variants: [No Variations]	
Title: Isolated RS485			Pi Modules Nikaia 49, Nea Smyrni 171 22 Athens Greece	
Size: A4	Number: 01122022.	Revision: 00001		
Date: 10/4/2024	Time: 12:38:13 PM	Sheet 13 of 23		
File: C:\PiModules\CRONUS\CRONUS_carrierboard\Isolated_RS485.SchDoc			www.pimodules.com	




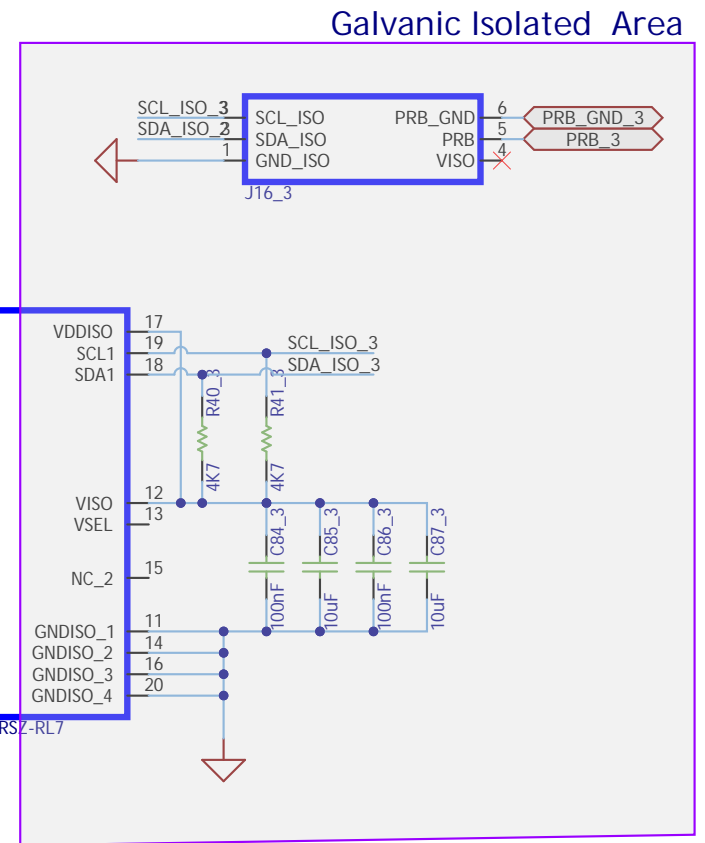
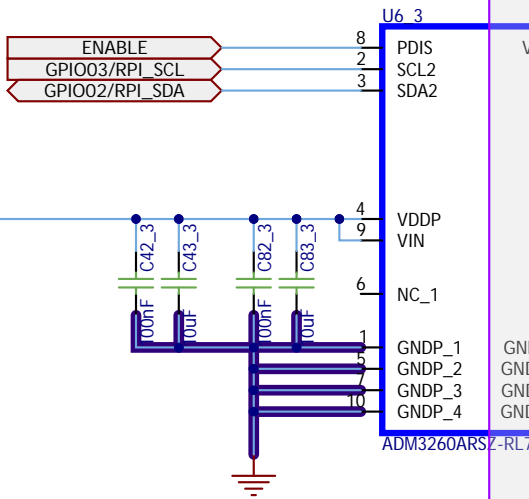
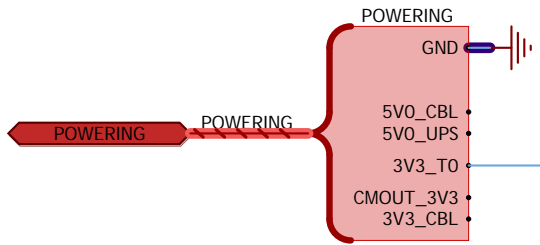
Project: CRONUS_carrierboard.PrjPcb			Variants: [No Variations]	
Title: Isolated CAN Interface			Pi Modules Nikias 49, Nea Smyrni 171 22 Athens Greece	
Size: A4	Number: 01122022.	Revision: 00001		
Date: 10/4/2024 Time: 12:38:13 PM	Sheet 14	of 23		
File: C:\PiModules\CRONUS\CRONUS_carrierboard\Isolated_CAN.SchDoc			www.pimodules.com	




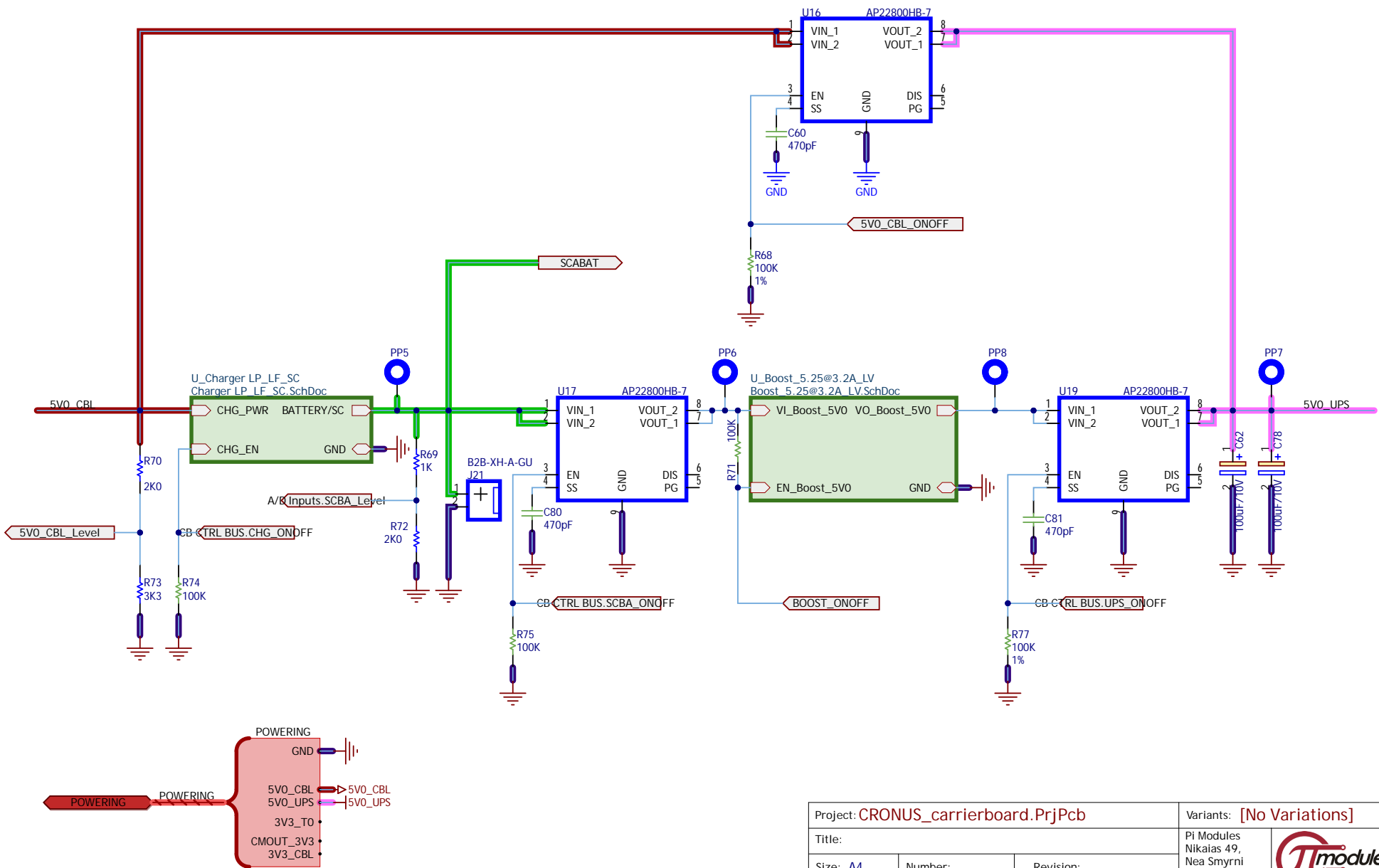
Project: CRONUS_carrierboard.PrjPcb			Variants: [No Variations]	
Title: Whitebox TO Isolator			PiModules Nikaia 49, Nea Smyrni 17122 Athens Greece	
Size: A	Number: .3	Revision:		
Date: 10/4/2024 Time: 12:38:14 PM	Sheet 15.1 of 23			
File: C:\PiModules\CRONUS_carrierboard\Whitebox TO Isolator.SchDoc			www.pimodules.com	



Project: CRONUS_carrierboard.PrjPcb			Variants: [No Variations]	
Title: Whitebox TO Isolator			PiModules Nikaia 49, Nea Smyrni 17122 Athens Greece	
Size: A	Number: .2	Revision:		
Date: 10/4/2024 Time: 12:38:14 PM	Sheet 15.2	of 23		
File: C:\PiModules\CRONUS_carrierboard\Whitebox TO Isolator.SchDoc			www.pimodules.com	

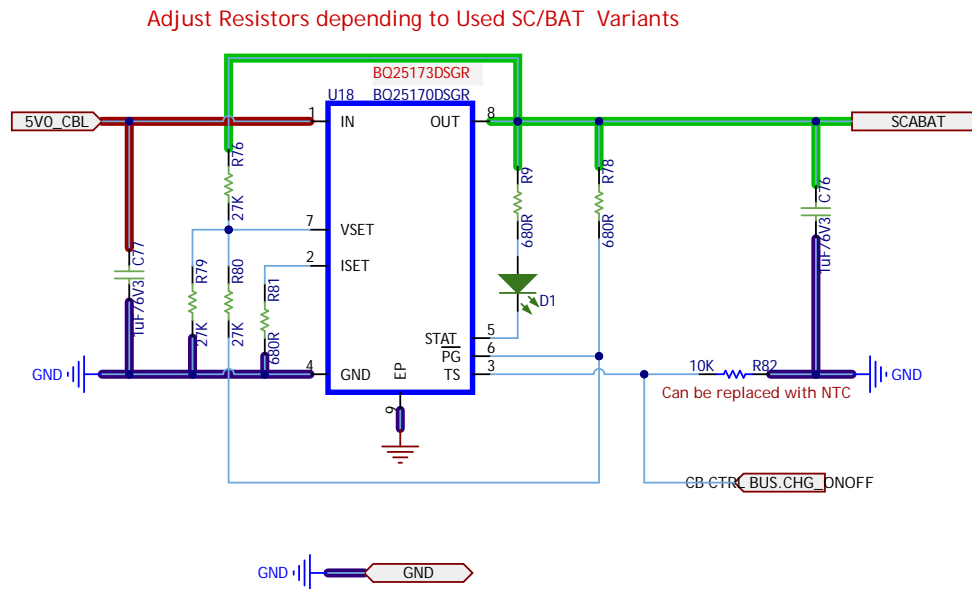



Project: CRONUS_carrierboard.PrjPcb			Variants: [No Variations]	
Title: Whitebox TO Isolator			PiModules Nikaia 49, Nea Smyrni 17122 Athens Greece	
Size: A	Number: .1	Revision:		
Date: 10/4/2024 Time: 12:38:14 PM	Sheet 15.3 of 23			
File: C:\PiModules\CRONUS_carrierboard\Whitebox TO Isolator.SchDoc				
			www.pimodules.com	

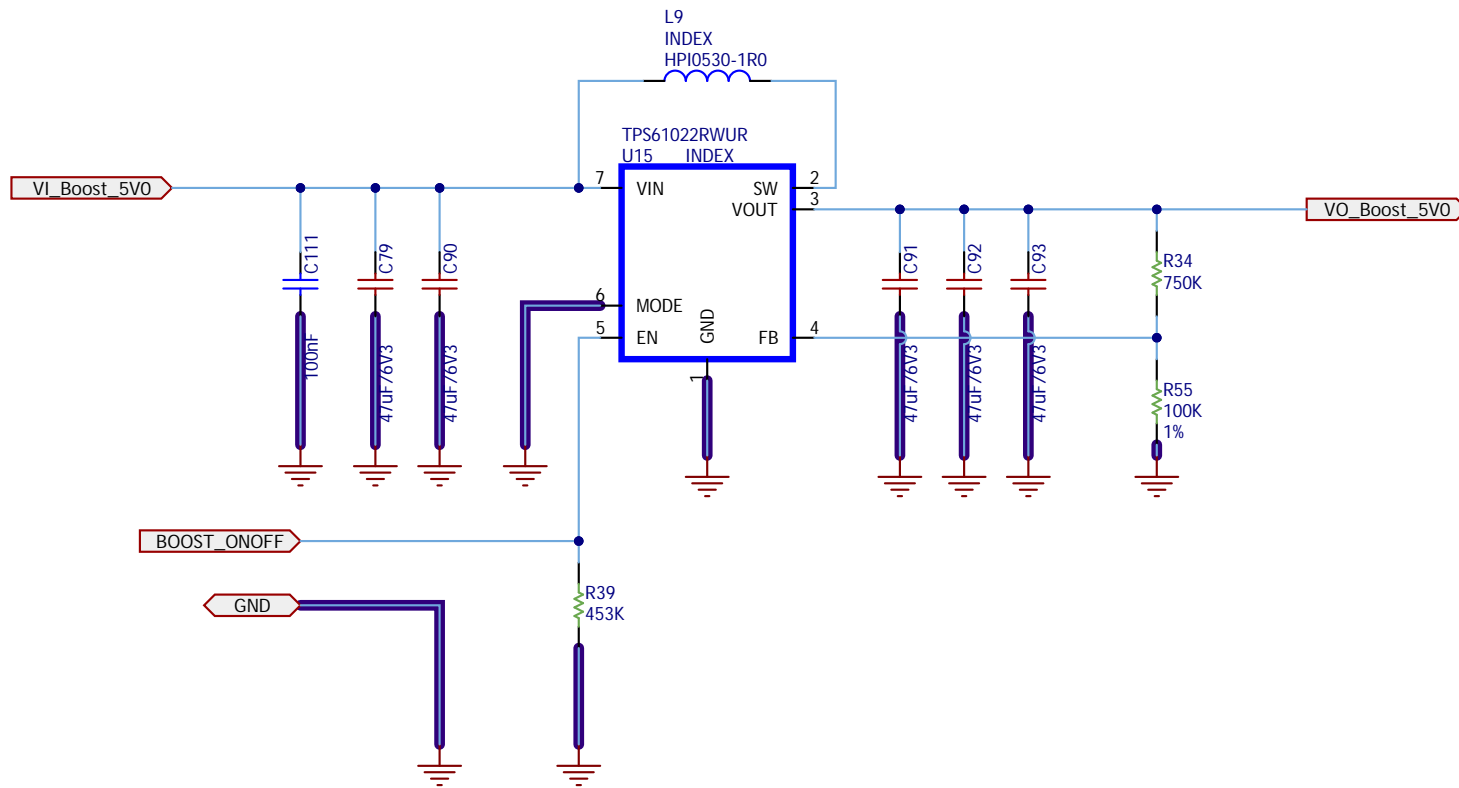



Project: CRONUS_carrierboard.PrjPcb			Variants: [No Variations]	
Title:			Pi Modules Nikalias 49, Nea Smyrni 171 22 Athens Greece	
Size: A4	Number: .	Revision:		
Date: 10/4/2024	Time: 12:38:15 PM	Sheet 16	of 23	
File: C:\PiModules\CRONUS\CRONUS_carrierboard\UPS.SchDoc			www.pimodules.com	

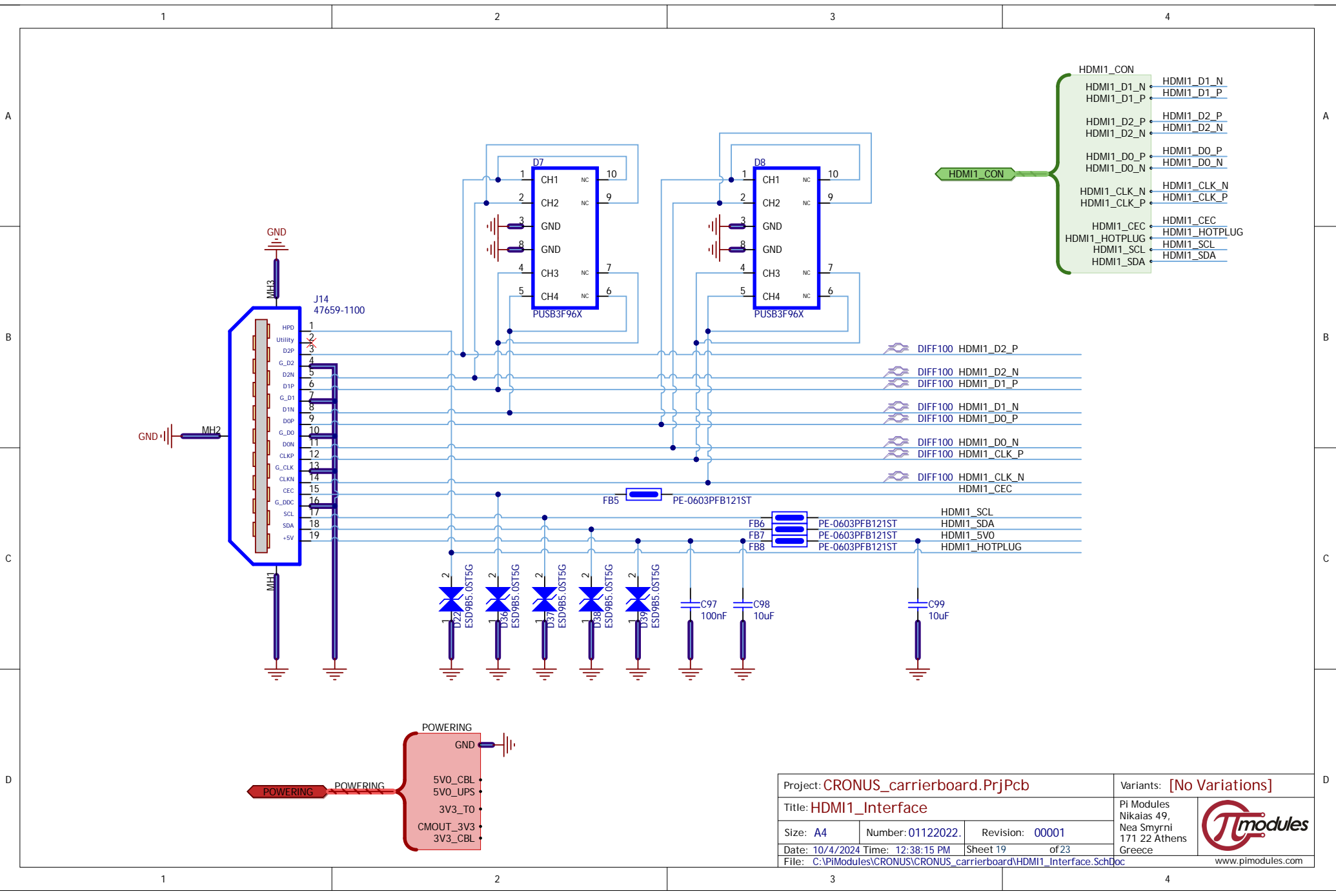




Project: CRONUS_carrierboard.PrjPcb			Variants: [No Variations]	
Title: Charger LP/LF/SC			Pi Modules Nikaia 49, Nea Smyrni 171 22 Athens Greece	
Size: A4	Number: 01122022.	Revision: 00001		
Date: 10/4/2024 Time: 12:38:15 PM	Sheet 17	of 23		
File: C:\PiModules\CRONUS\CRONUS_carrierboard\Charger_LP_LF_SC.SchDoc				
www.pimodules.com				



Project: CRONUS_carrierboard.PrjPcb			Variants: [No Variations]	
Title: 5.25@3.2A Boost Converter			PiModules Nikaïas 49, Nea Smyrni 17122 Athens Greece	
Size: A	Number: 01012020	Revision: 001		
Date: 10/4/2024 Time: 12:38:15 PM	Sheet 18	of 23		
File: C:\PiModules\CRONUS_carrierboard\Boost_5.25@3.2A_LV.SchDoc			www.pimodules.com	



Project: CRONUS_carrierboard.PrjPcb		Variants: [No Variations]	
Title: HDMI1_Interface		Pi Modules Nikaia 49, Nea Smyrni 171 22 Athens Greece	
Size: A4	Number: 01122022.	Revision: 00001	
Date: 10/4/2024	Time: 12:38:15 PM	Sheet 19	of 23
File: C:\PiModules\CRONUS\CRONUS_carrierboard\HDMI1_Interface.SchDoc		www.pimodules.com	

