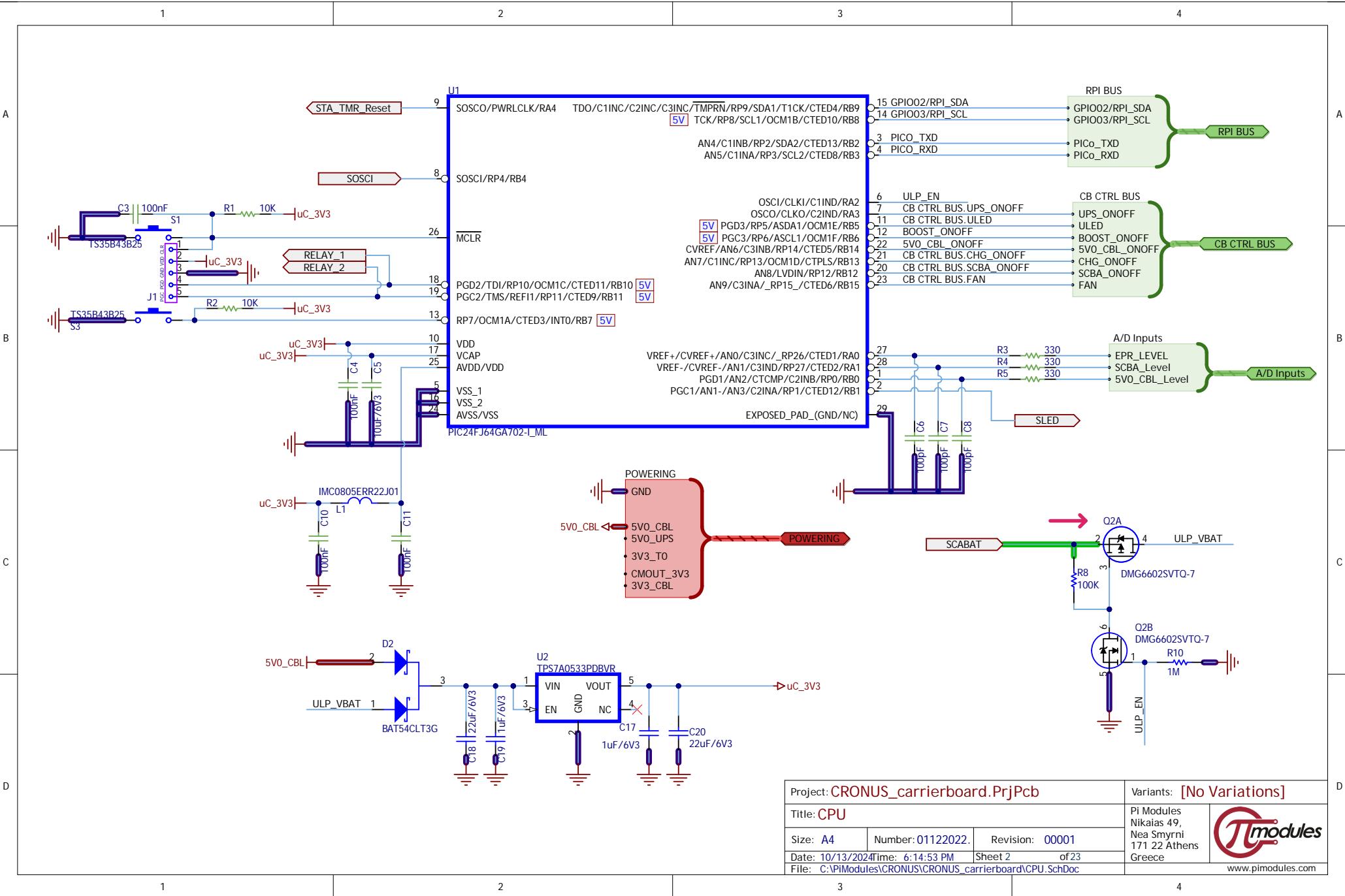

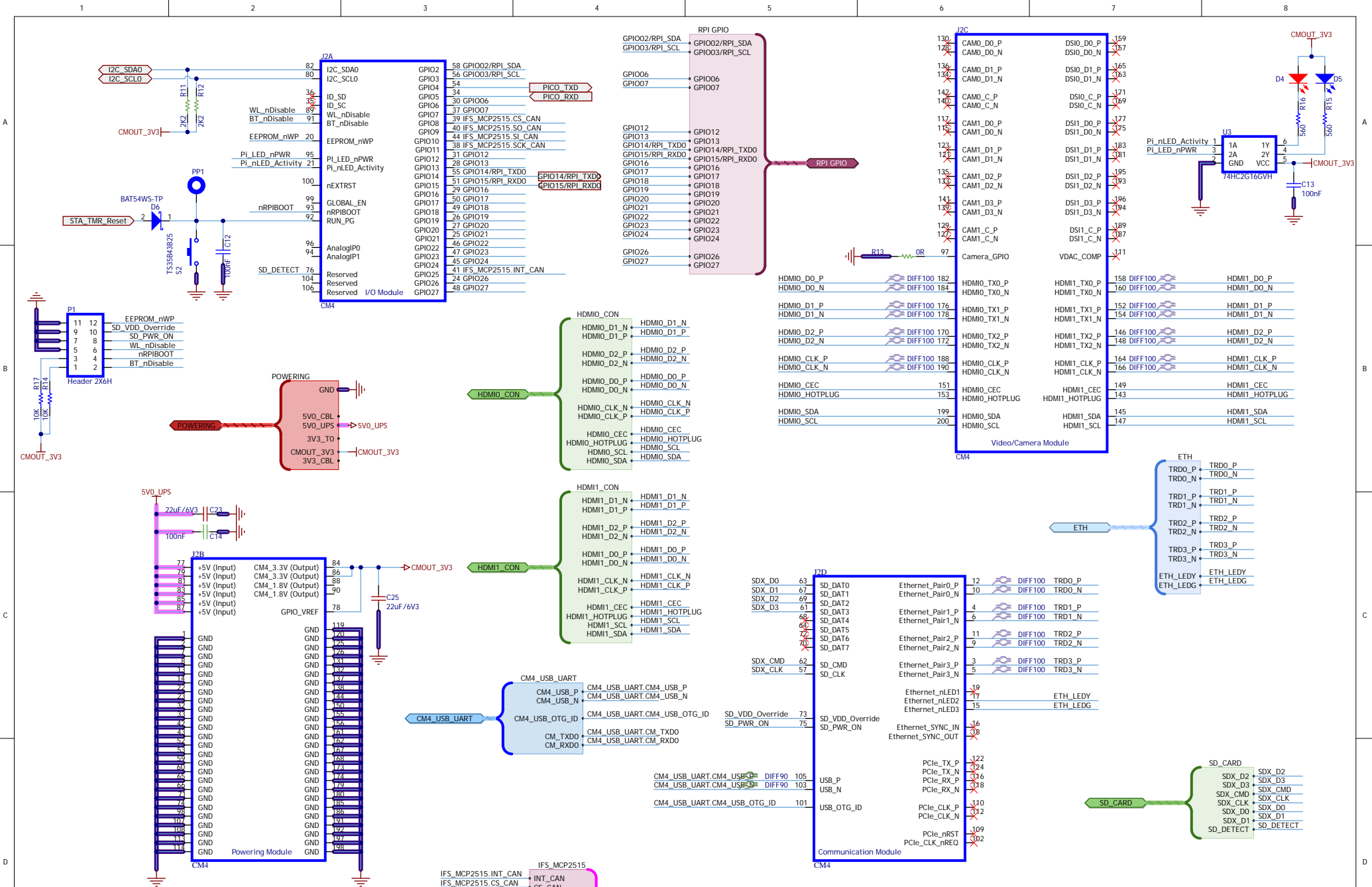



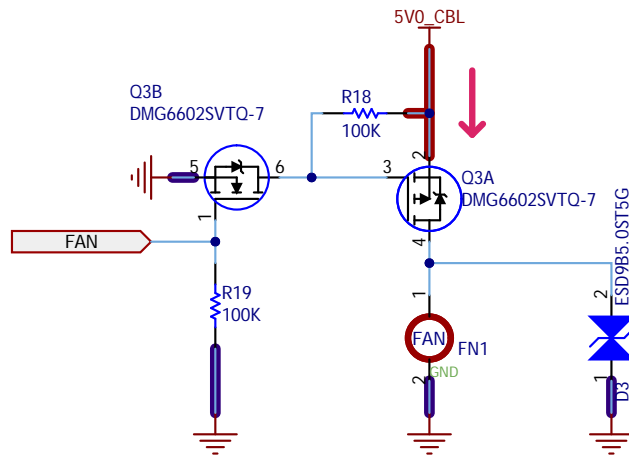
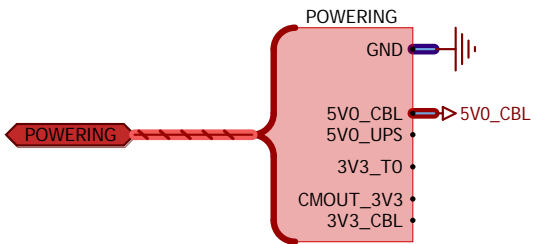
Project: CRONUS_carrierboard.PrjPcb			Variants: [No Variations]		
Title: ROOT					
Size: A3	Number: 01122022.	Revision: 00001	Pi Modules Nikitas 49, Nea Smyrni 171 22 Athens Greece		
Date: 10/13/2024	Time: 6:14:52 PM	Sheet 1	of 23		
File: C:\PiModules\CRONUS\CRONUS_carrierboard\Root_SchDoc			www.pimodules.com		




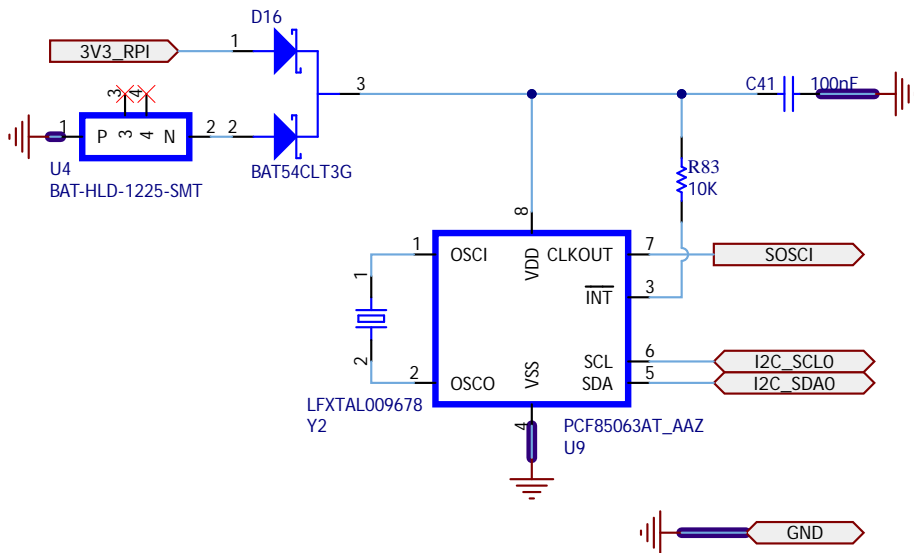
Project: CRONUS_carrierboard.PrjPcb		Variants: [No Variations]	
Title: CPU		Pi Modules Nikais 49, Nea Smyrni 171 22 Athens Greece	
Size: A4	Number: 01122022.	Revision: 00001	 www.pimodules.com
Date: 10/13/2024	Time: 6:14:53 PM	Sheet 2 of 23	
File: C:\PiModules\CRONUS\CRONUS_carrierboard\CPU.SchDoc			




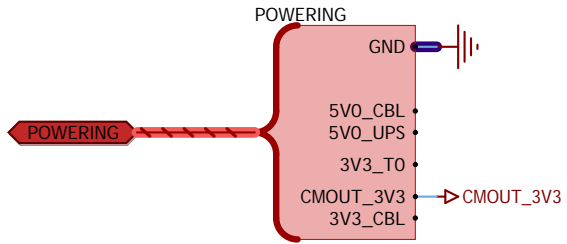
Project: CRONUS_carrierboard.PrcPcb			Variants: [No Variations]		
Title: CM4					
Size: A3	Number: 01122022	Revision: 00001			
Date: 10/13/2024	Time: 6:14:53 PM	Sheet 3	of 23		
File: C:\PIModules\CRONUS\CRONUS_carrierboard\CM4_SchDoc			PIModules		
			Pi Modules Nikitas 49, Nea Smyrni 171 22 Athens Greece  www.pimodules.com		



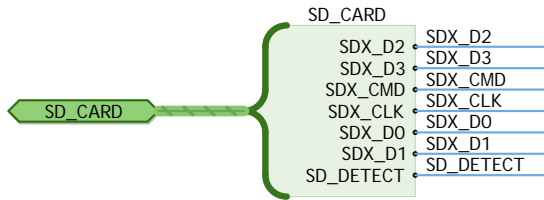
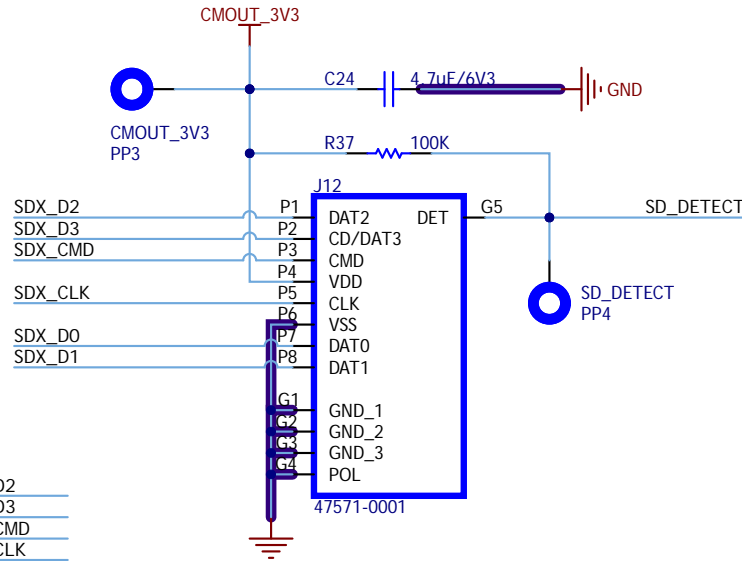
Project: CRONUS_carrierboard.PrjPcb			Variants: [No Variations]	
Title:			PiModules Nikaïas 49, Nea Smyrni 17122 Athens Greece	
Size: A	Number: .	Revision:	 www.pimodules.com	
Date: 10/13/2024	Time: 6:14:54 PM	Sheet 4 of 23		
File: C:\PiModules\CRONUS_carrierboard\FAN.SchDoc				




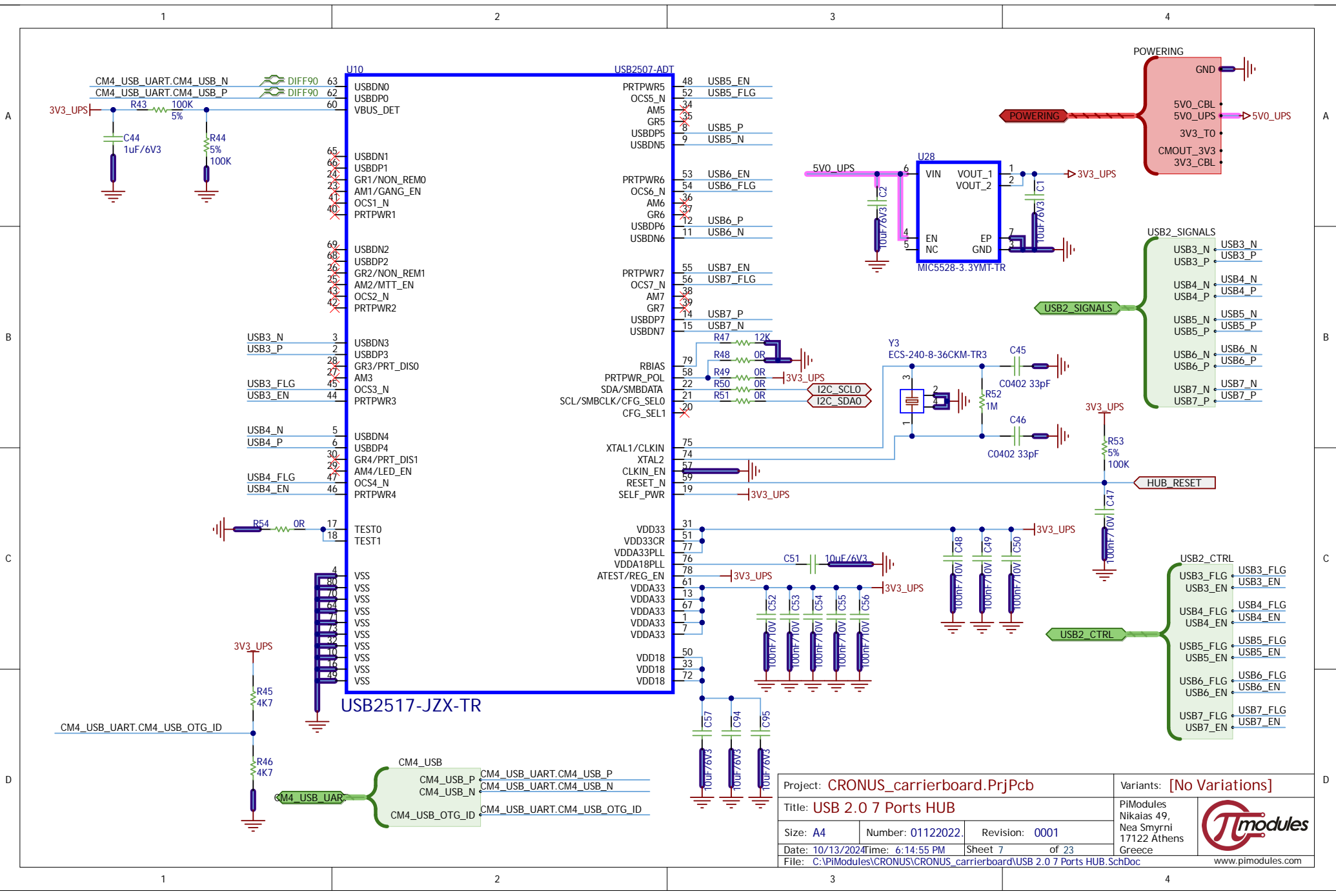
Project: CRONUS_carrierboard.PrjPcb			Variants: [No Variations]	
Title:			PiModules Nikaia 49, Nea Smyrni 17122 Athens Greece	
Size: A	Number: .	Revision:		
Date: 10/13/2024	Time: 6:14:54 PM	Sheet 5 of 23		
File: C:\PiModules\CRONUS\CRONUS_carrierboard\RTC.SchDoc			www.pimodules.com	



CMOUT_3V3 is originated by CM4 and is protected by UPS

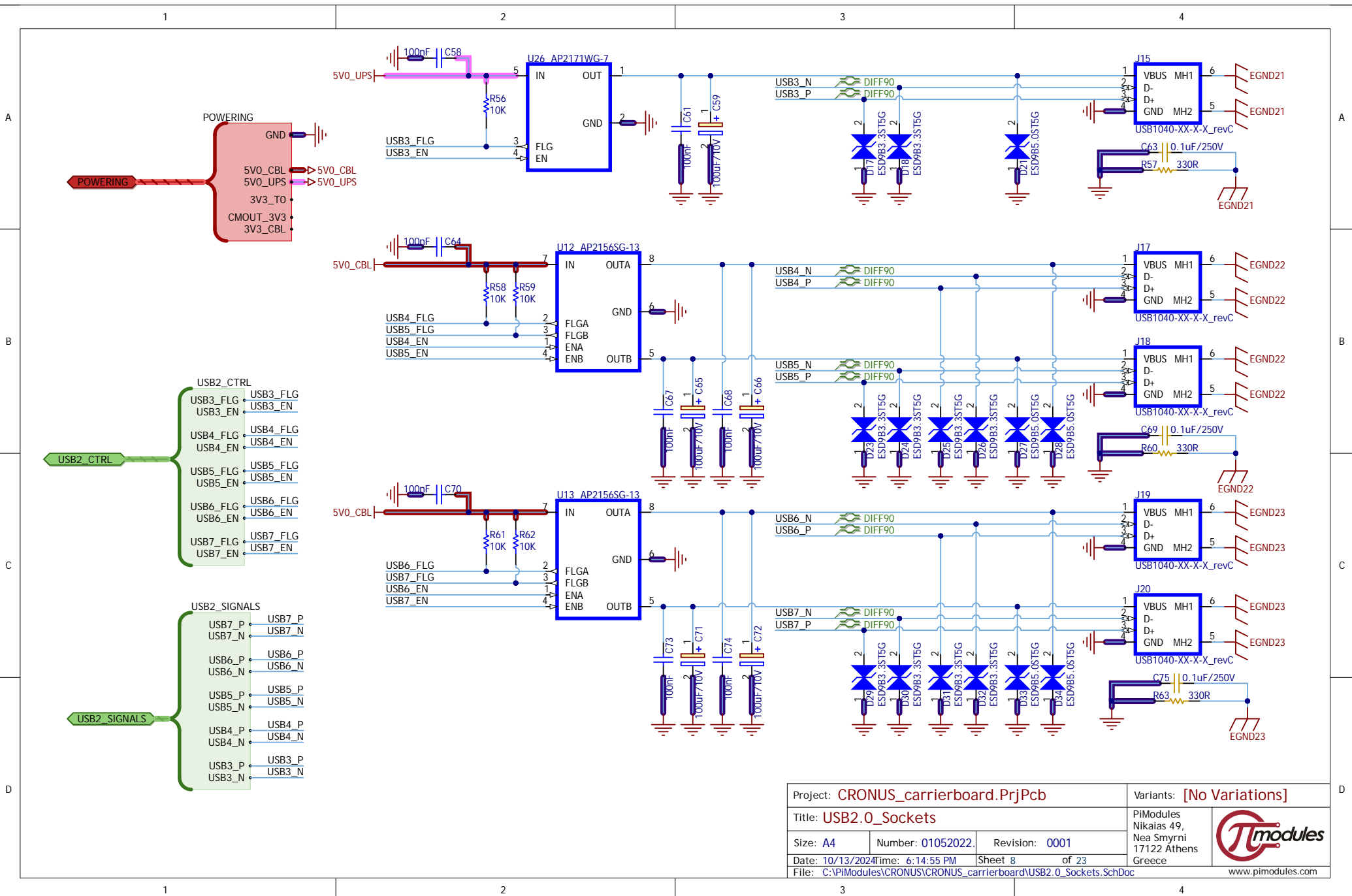


Project: CRONUS_carrierboard.PrjPcb			Variants: [No Variations]	
Title: Evergreen Miner SD Card			PiModules Nikaïas 49, Nea Smyrni 17122 Athens Greece	
Size: A	Number: 01052022	Revision:		
Date: 10/13/2024 Time: 6:14:55 PM	Sheet 6 of 23			
File: C:\PiModules\CRONUS_carrierboard\SD Card.SchDoc			www.pimodules.com	

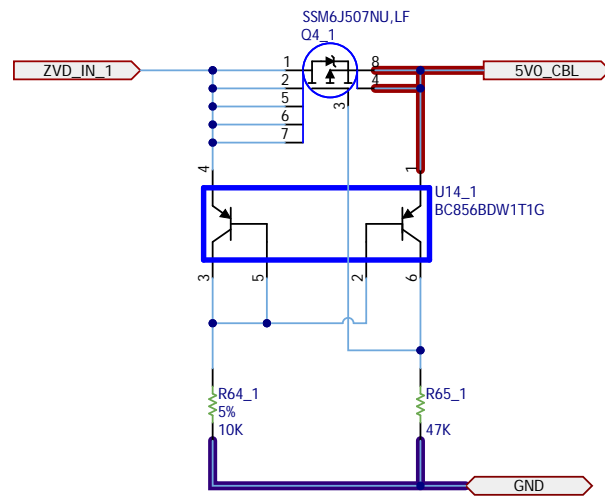


Project: CRONUS_carrierboard.PrjPcb		Variants: [No Variations]	
Title: USB 2.0 7 Ports HUB		PiModules Nikaia 49, Nea Smyrni 17122 Athens Greece	
Size: A4	Number: 01122022	Revision: 0001	
Date: 10/13/2024	Time: 6:14:55 PM	Sheet 7 of 23	
File: C:\PiModules\CRONUS\CRONUS_carrierboard\USB 2.0 7 Ports HUB.SchDoc		www.pi-modules.com	



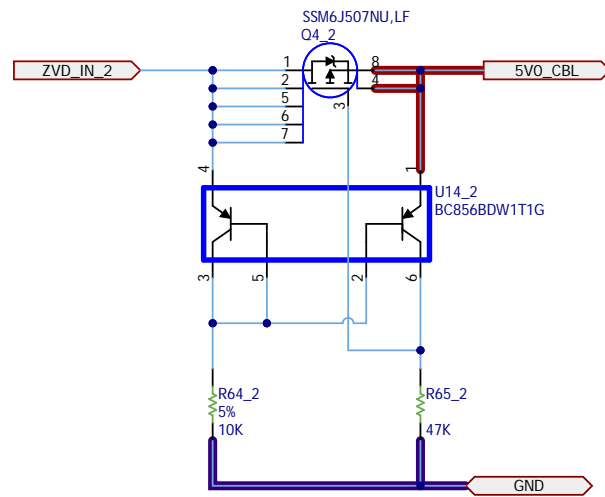


Project: CRONUS_carrierboard.PrjPcb		Variants: [No Variations]	
Title: USB2.0_Sockets		PiModules Nikaia 49, Nea Smyrni 17122 Athens Greece	
Size: A4	Number: 01052022	Revision: 0001	
Date: 10/13/2024	Time: 6:14:55 PM	Sheet 8	of 23
File: C:\PiModules\CRONUS\CRONUS_carrierboard\USB2.0_Sockets.SchDoc		www.pimodules.com	



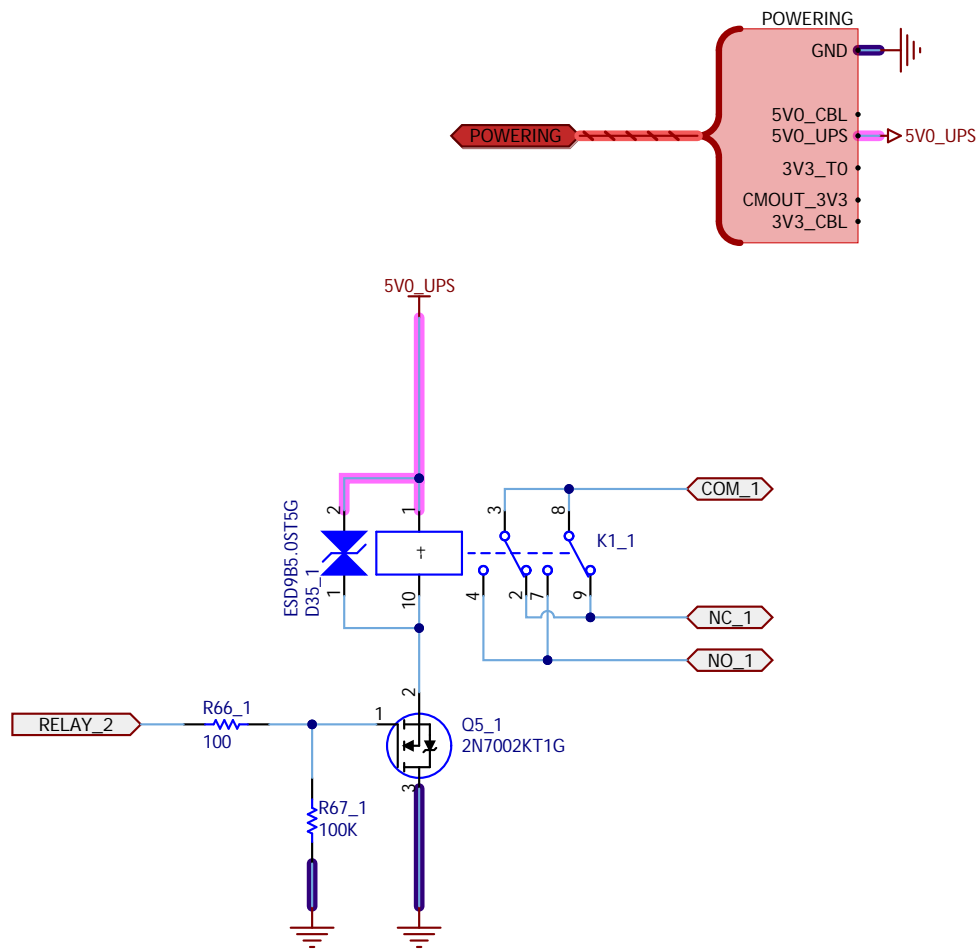
Project: CRONUS_carrierboard.PrjPcb			Variants: [No Variations]	
Title:			Pi Modules Nikaïas 49, Nea Smyrni 171 22 Athens Greece	
Size: A4	Number: .2	Revision:		
Date: 10/13/2024	Time: 6:14:56 PM	Sheet 9.1	of 23	
File: C:\PiModules\CRONUS\CRONUS_carrierboard\ZVD.SchDoc			www.pimodules.com	




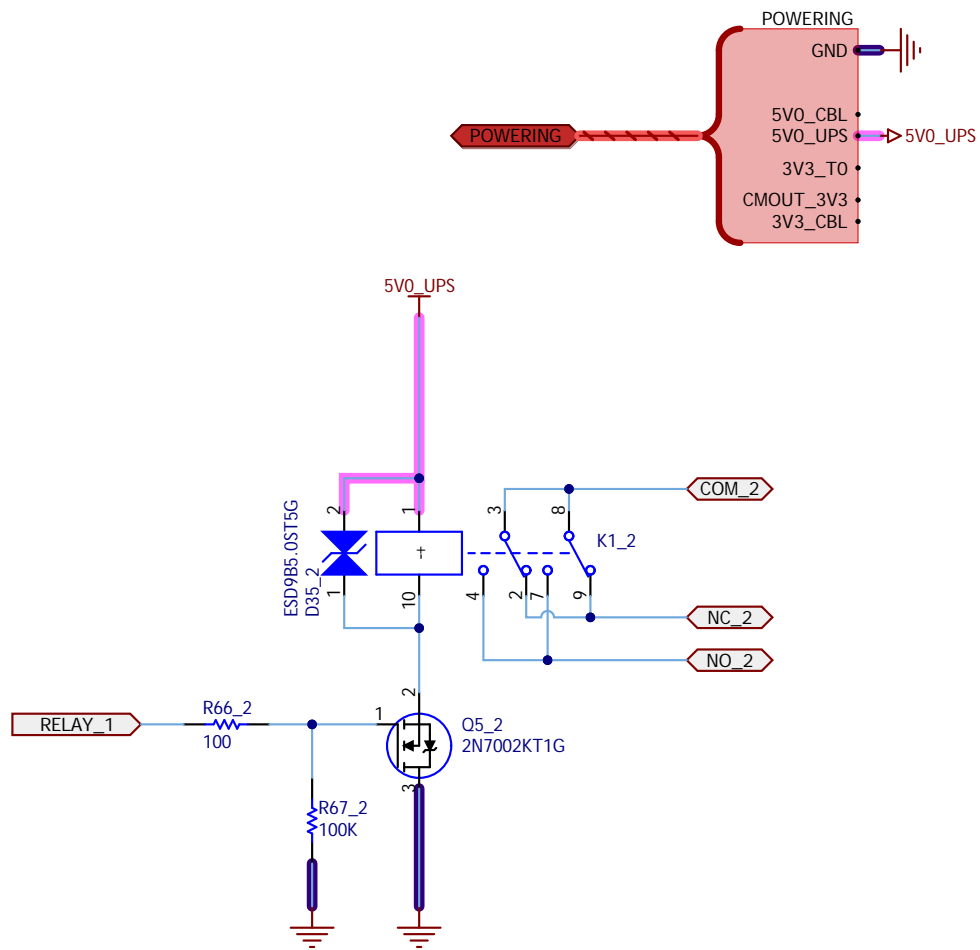



Project: CRONUS_carrierboard.PrjPcb			Variants: [No Variations]	
Title:			Pi Modules Nikaïas 49, Nea Smyrni 171 22 Athens Greece	
Size: A4	Number: .1	Revision:		
Date: 10/13/2024	Time: 6:14:56 PM	Sheet 9.2	of 23	
File: C:\PiModules\CRONUS\CRONUS_carrierboard\ZVD.SchDoc			www.pimodules.com	

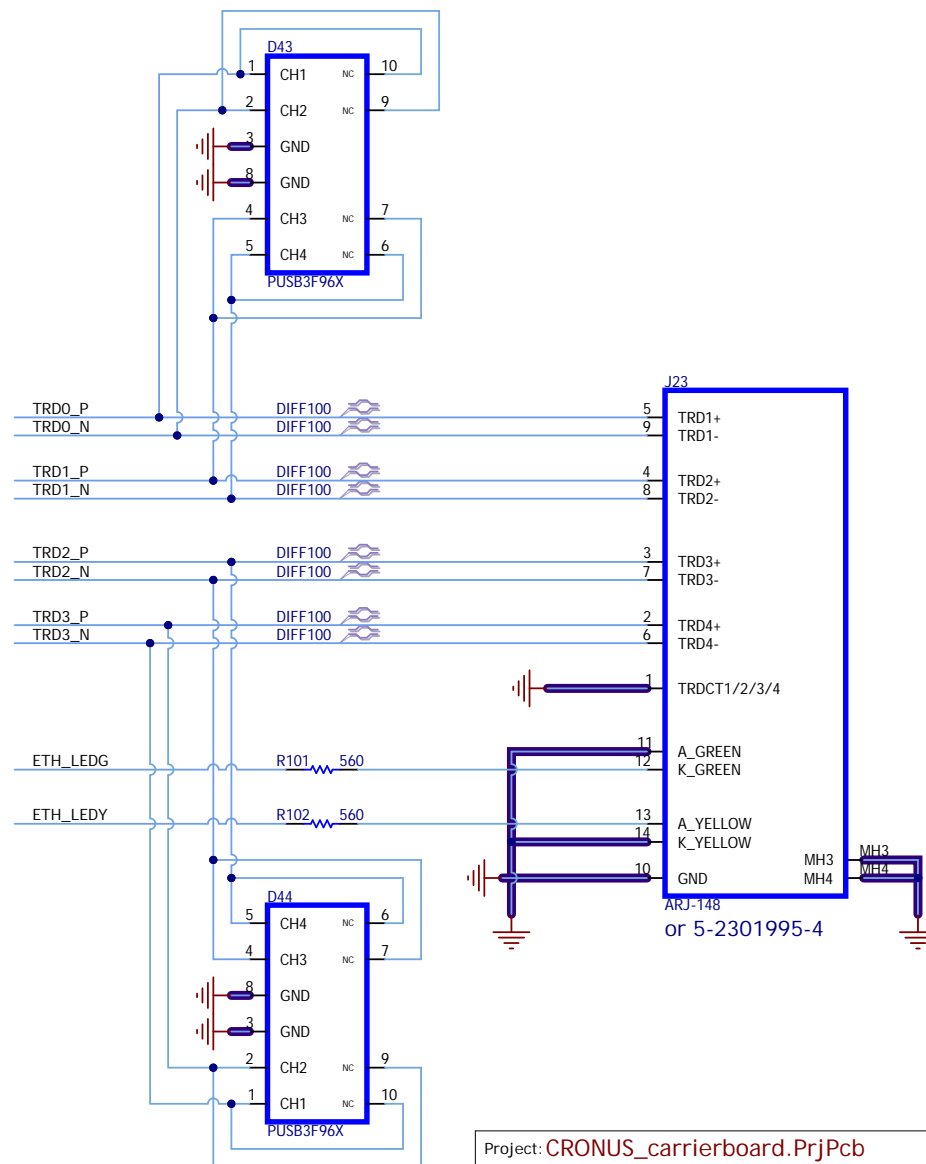
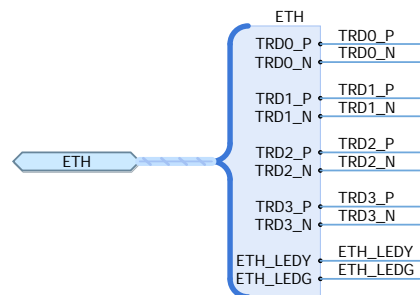
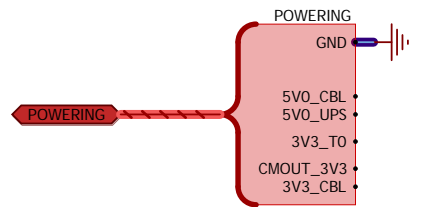




Project: CRONUS_carrierboard.PrjPcb		Variants: [No Variations]	
Title: SPDT Relay 5V		PiModules Nikaïas 49, Nea Smyrni 17122 Athens Greece	
Size: A	Number: 01122022.2	Revision: 00001	
Date: 10/13/2024	Time: 6:14:56 PM	Sheet 10.1 of 23	
File: C:\PiModules\CRONUS_carrierboard\SPDT Relay 5V.SchDoc			
www.pimodules.com			

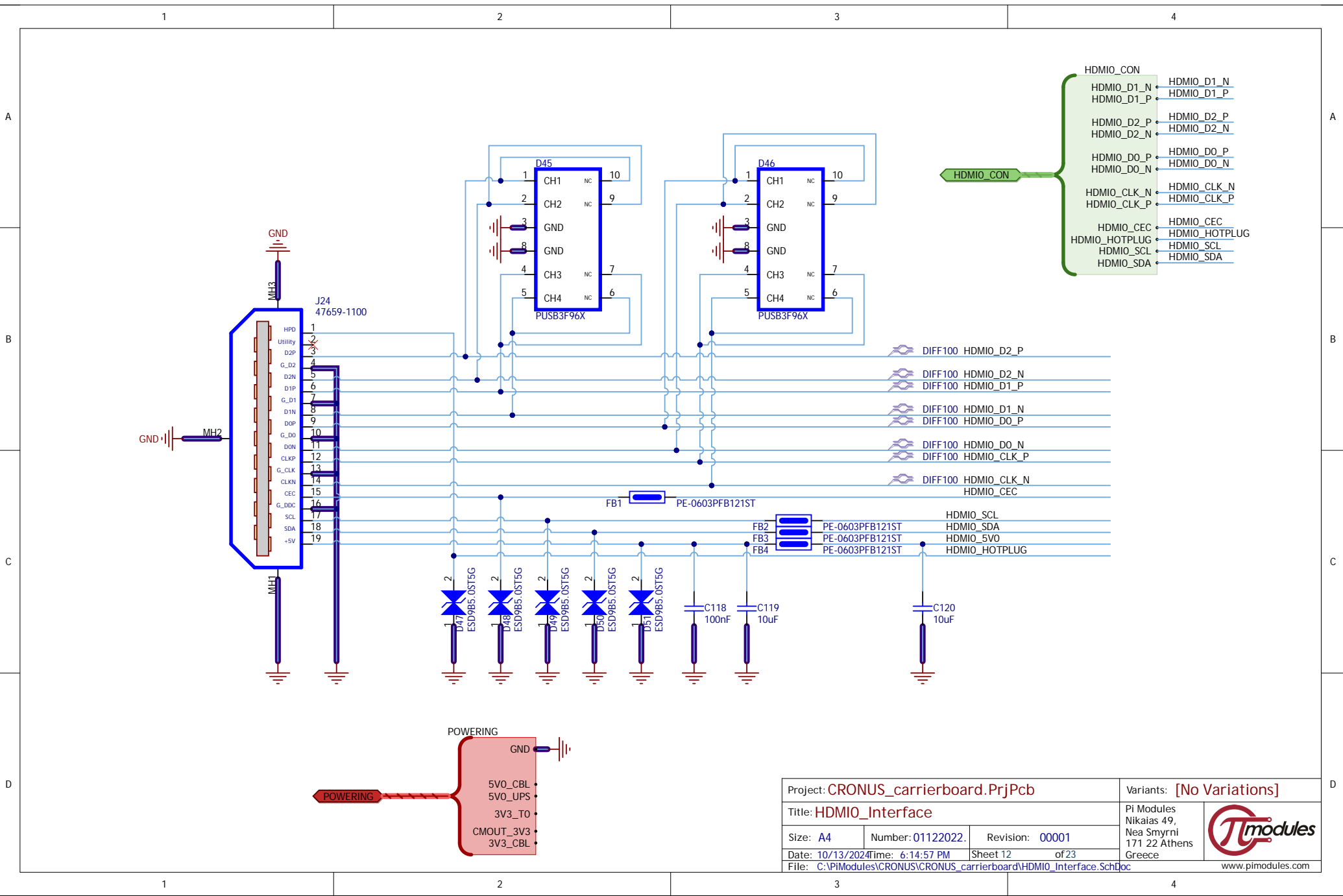


Project: CRONUS_carrierboard.PrjPcb		Variants: [No Variations]	
Title: SPDT Relay 5V		PiModules Nikaïas 49, Nea Smyrni 17122 Athens Greece	
Size: A	Number: 01122022.1	Revision: 00001	
Date: 10/13/2024	Time: 6:14:57 PM	Sheet 10.2 of 23	
File: C:\PiModules\CRONUS_carrierboard\SPDT Relay 5V.SchDoc			
www.pimodules.com			



Project: CRONUS_carrierboard.PrjPcb		Variants: [No Variations]	
Title: 1GB Ethernet Interface		Pi Modules Nikaia 49, Nea Smyrni 171 22 Athens Greece	
Size: A4	Number: 01122022.	Revision: 00001	
Date: 10/13/2024	Time: 6:14:57 PM	Sheet 11	of 23
File: C:\PiModules\CRONUS\CRONUS_carrierboard\1GB_Etherent_Interface.SchDoc		www.pimodules.com	



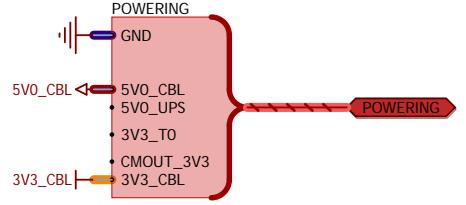
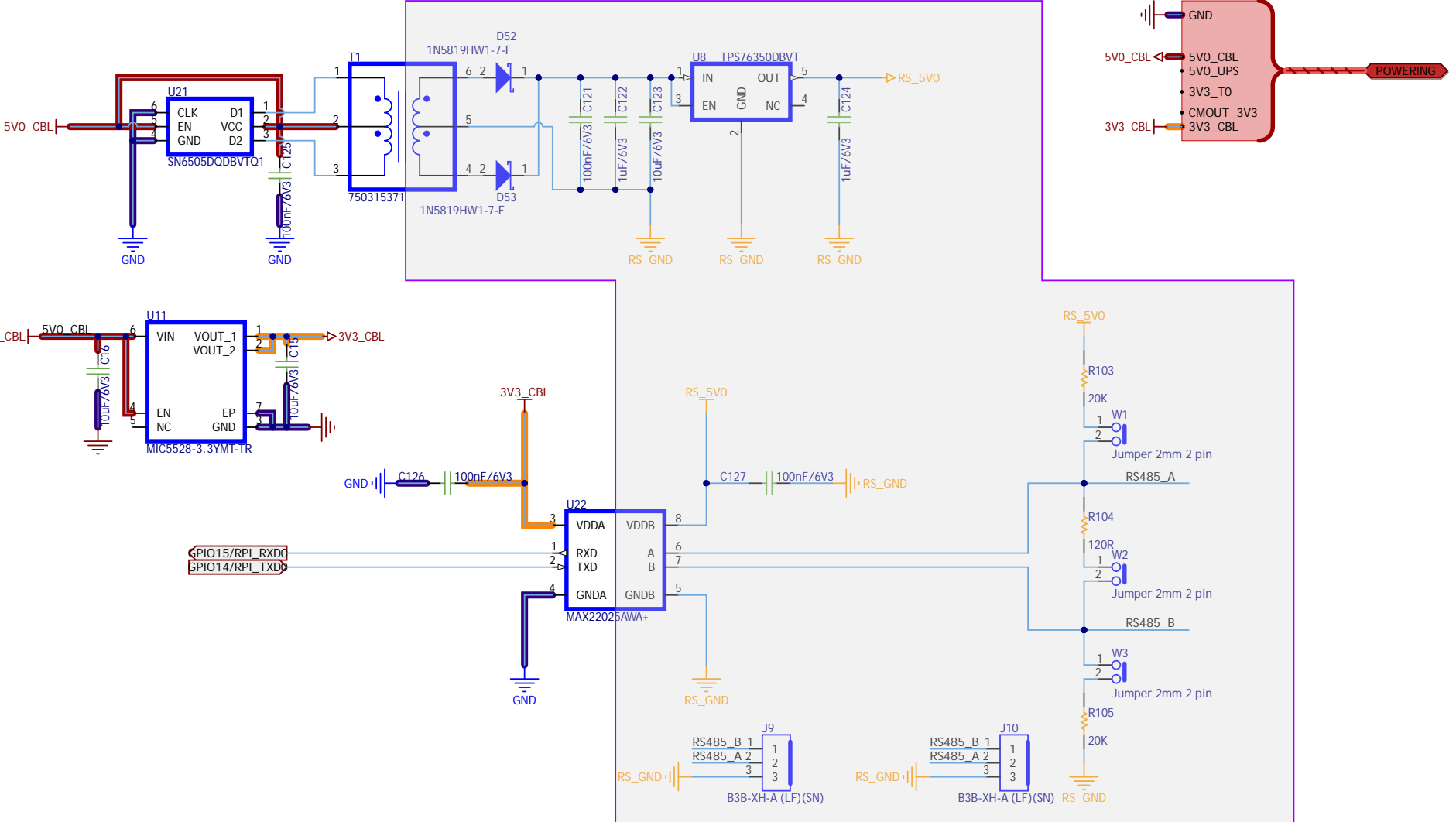



HDMIO_CON	
HDMIO_D1_N	HDMIO_D1_N
HDMIO_D1_P	HDMIO_D1_P
HDMIO_D2_P	
HDMIO_D2_N	HDMIO_D2_N
HDMIO_DO_P	
HDMIO_DO_N	HDMIO_DO_N
HDMIO_CLK_N	
HDMIO_CLK_P	HDMIO_CLK_P
HDMIO_CEC	
HDMIO_HOTPLUG	
HDMIO_SCL	
HDMIO_SDA	

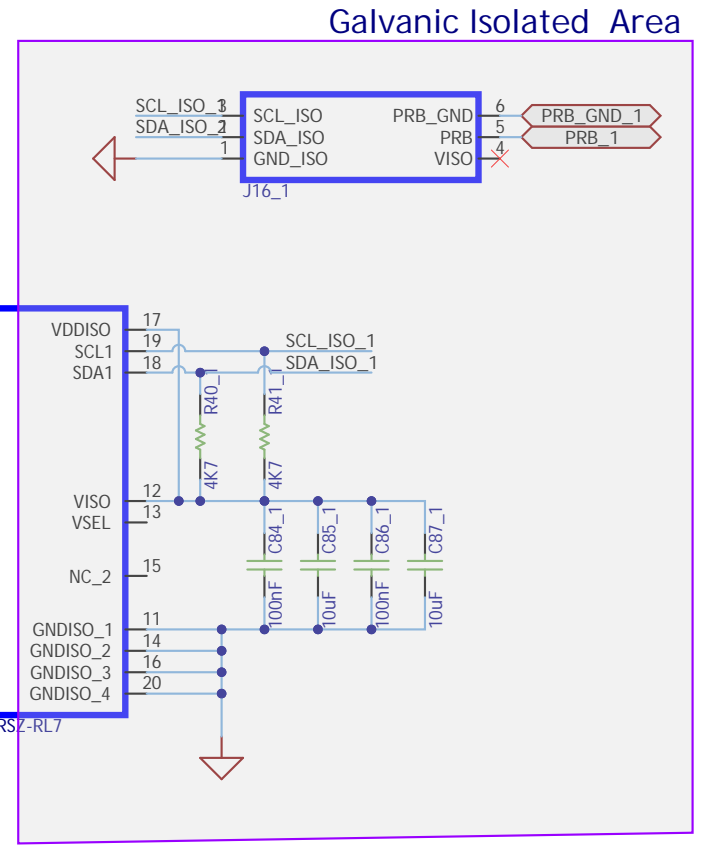
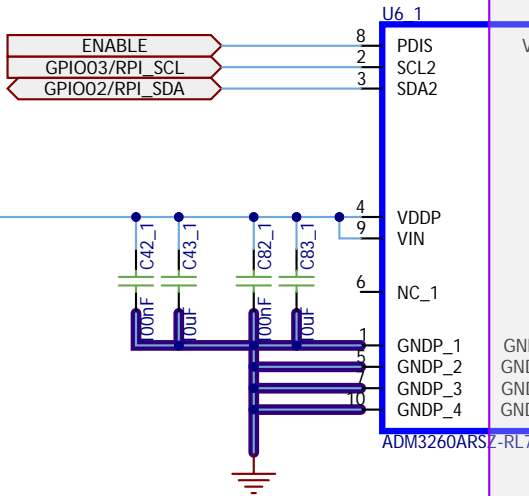
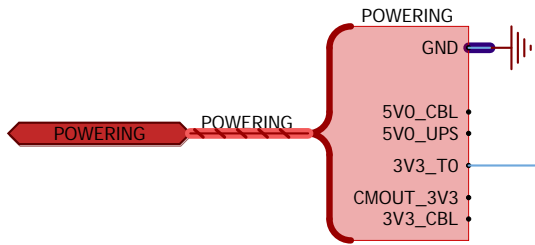
Project: CRONUS_carrierboard.PrjPcb		Variants: [No Variations]	
Title: HDMIO_Interface		Pi Modules Nikias 49, Nea Smyrni 171 22 Athens Greece	
Size: A4	Number: 01122022.	Revision: 00001	
Date: 10/13/2024	Time: 6:14:57 PM	Sheet 12	of 23
File: C:\PiModules\CRONUS\CRONUS_carrierboard\HDMIO_Interface.SchDoc		www.pimodules.com	



Galvanic Isolated Area

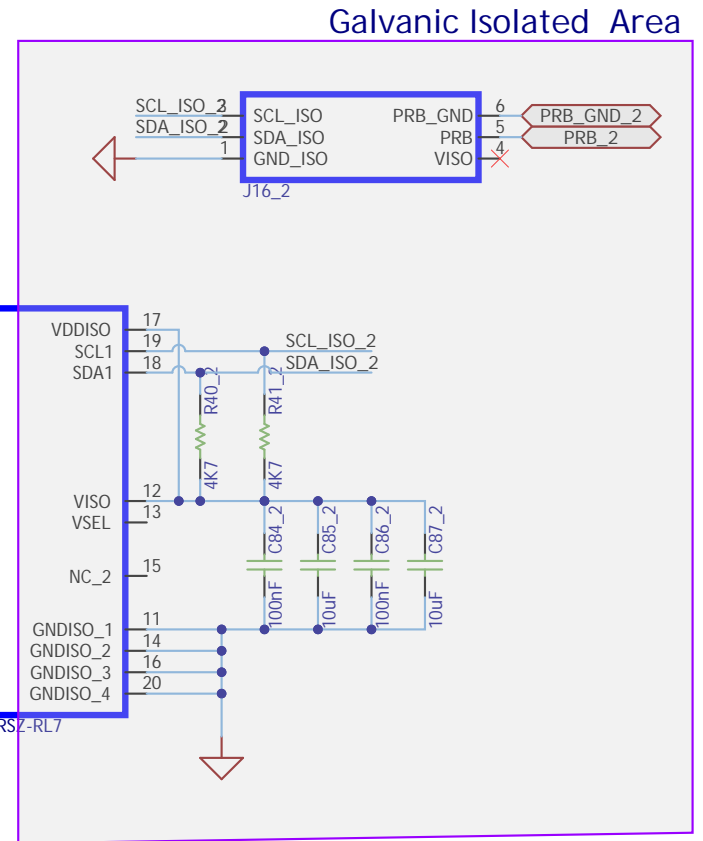
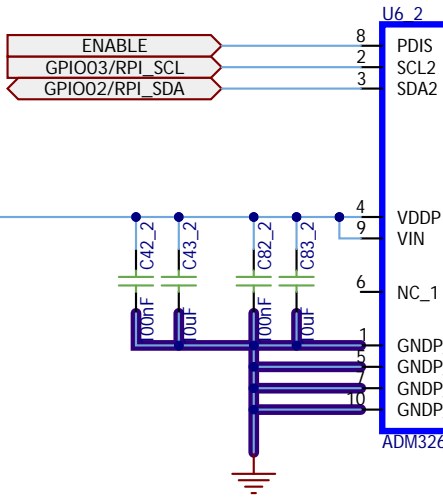
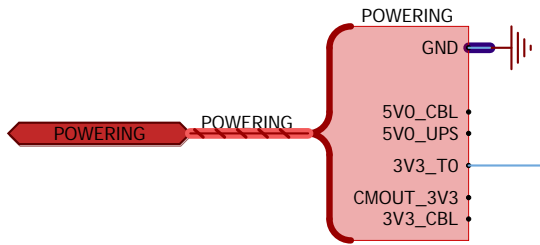



Project: CRONUS_carrierboard.PrjPcb			Variants: [No Variations]	
Title: Isolated RS485			Pi Modules Nikaia 49, Nea Smyrni 171 22 Athens Greece	
Size: A4	Number: 01122022.	Revision: 00001		
Date: 10/13/2024	Time: 6:14:58 PM	Sheet 13 of 23		
File: C:\PiModules\CRONUS\CRONUS_carrierboard\Isolated_RS485.SchDoc			www.pimodules.com	

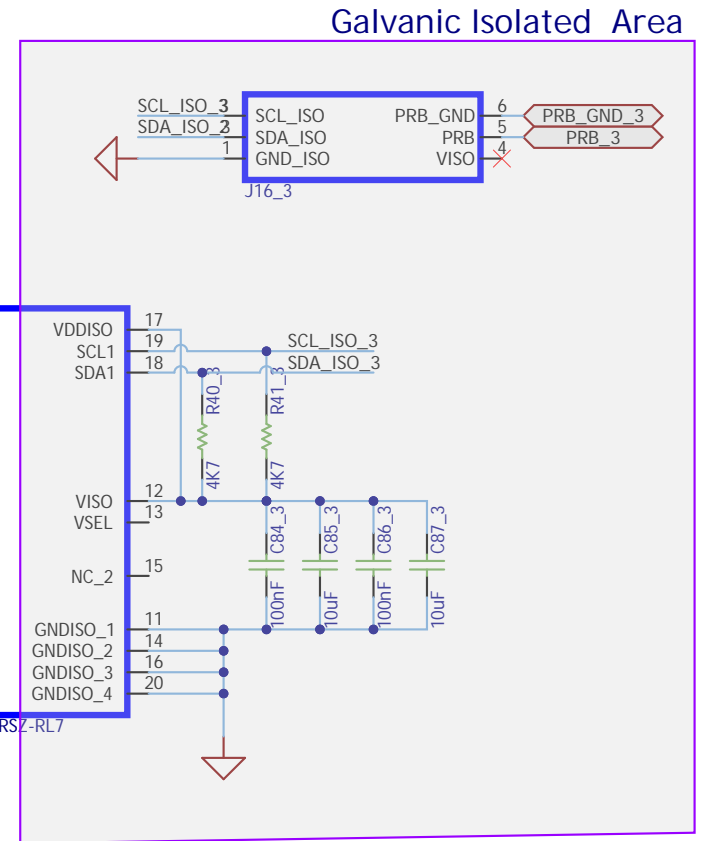
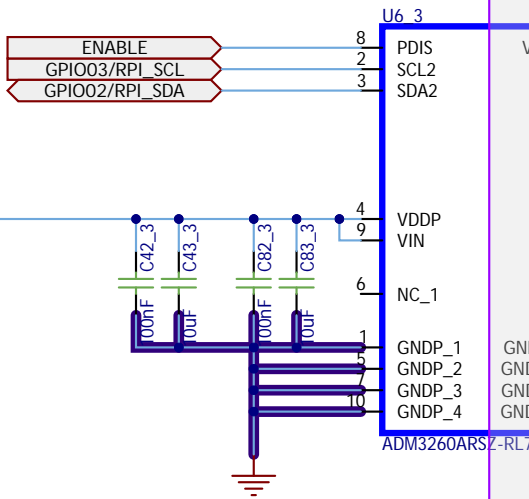
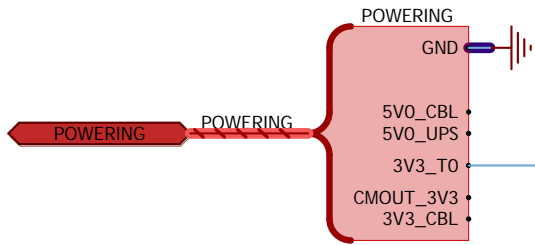



Project: CRONUS_carrierboard.PrjPcb			Variants: [No Variations]	
Title: Whitebox TO Isolator			PiModules Nikaia 49, Nea Smyrni 17122 Athens Greece	
Size: A	Number: .3	Revision:		
Date: 10/13/2024 Time: 6:14:58 PM		Sheet 15.1 of 23		
File: C:\PiModules\CRONUS_carrierboard\Whitebox TO Isolator.SchDoc			www.pimodules.com	

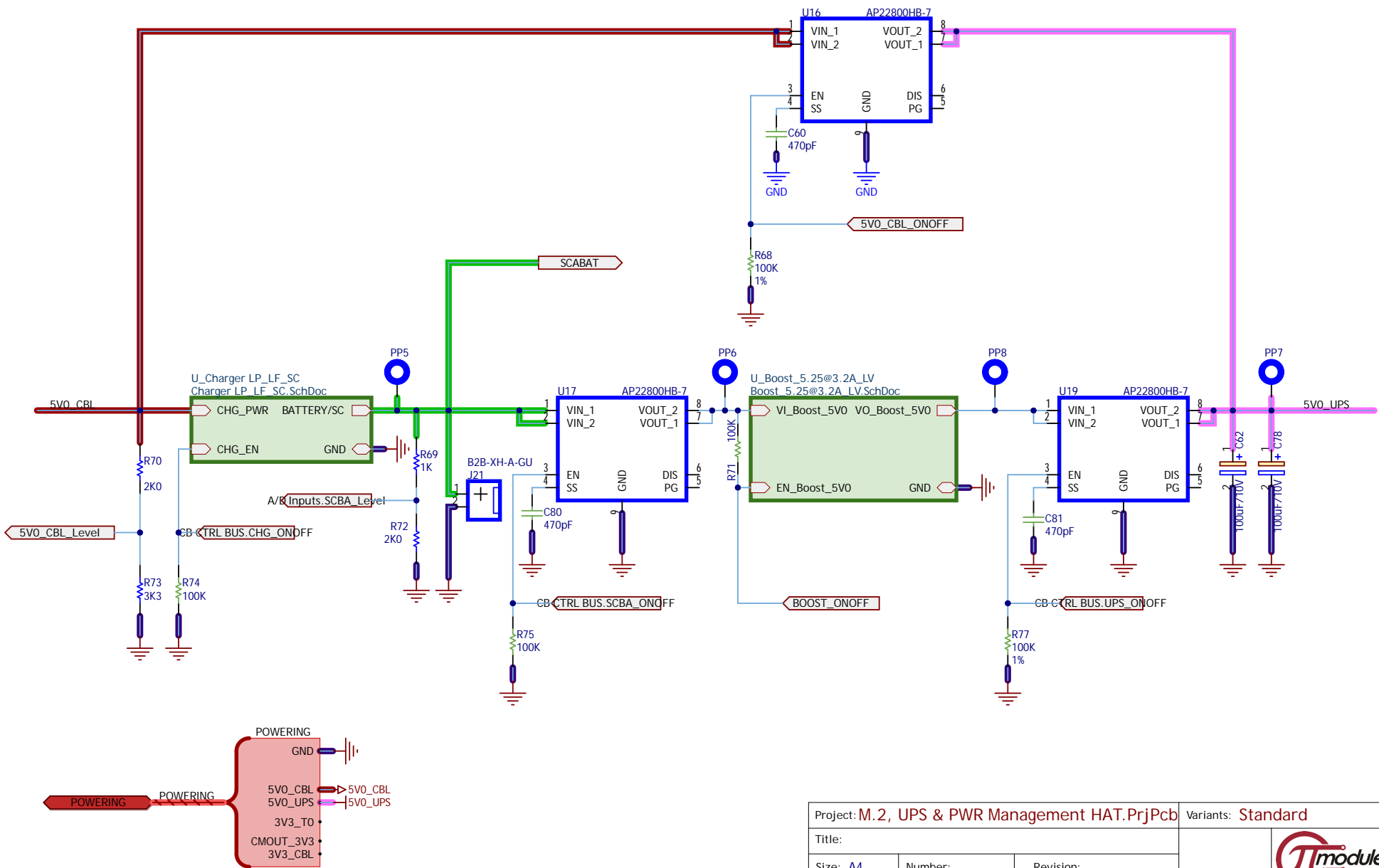




Project: CRONUS_carrierboard.PrjPcb			Variants: [No Variations]	
Title: Whitebox TO Isolator				
Size: A	Number: .2	Revision:		
Date: 10/13/2024 Time: 6:14:59 PM		Sheet 15.2 of 23		
File: C:\PiModules\CRONUS\CRONUS_carrierboard\Whitebox TO Isolator.SchDoc			 PiModules Nikaias 49, Nea Smyrni 17122 Athens Greece www.pimodules.com	



Project: CRONUS_carrierboard.PrjPcb			Variants: [No Variations]	
Title: Whitebox TO Isolator			PiModules Nikaia 49, Nea Smyrni 17122 Athens Greece	
Size: A	Number: .1	Revision:		
Date: 10/13/2024 Time: 6:14:59 PM		Sheet 15.3 of 23		
File: C:\PiModules\CRONUS\CRONUS_carrierboard\Whitebox TO Isolator.SchDoc			 www.pimodules.com	

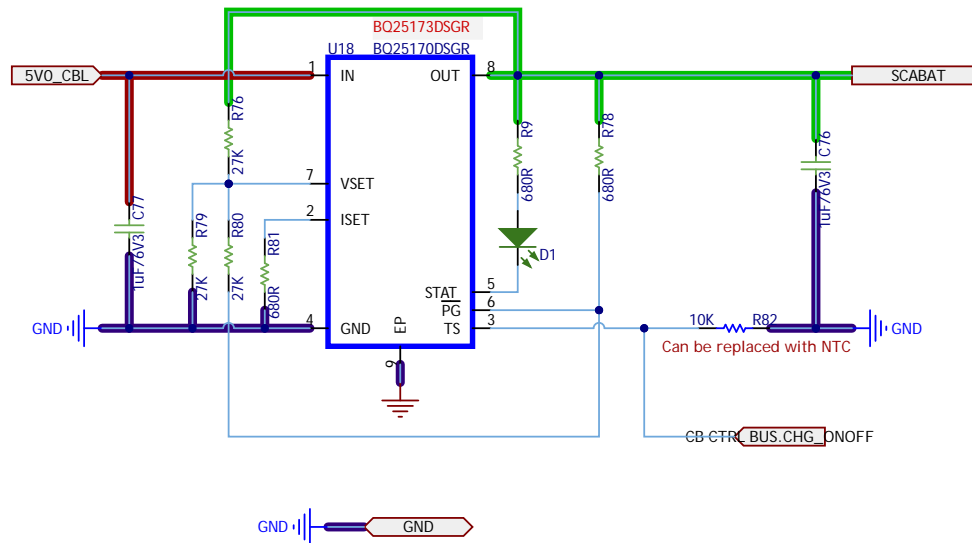



Project: M.2, UPS & PWR Management HAT.PrjPcb		Variants: Standard	
Title:			
Size: A4	Number:	Revision:	
Date: 10/13/2024	Time: 6:14:59 PM	Sheet	of
File: C:\PiModules\CRONUS\CRONUS_carrierboard\UPS.SchDoc			

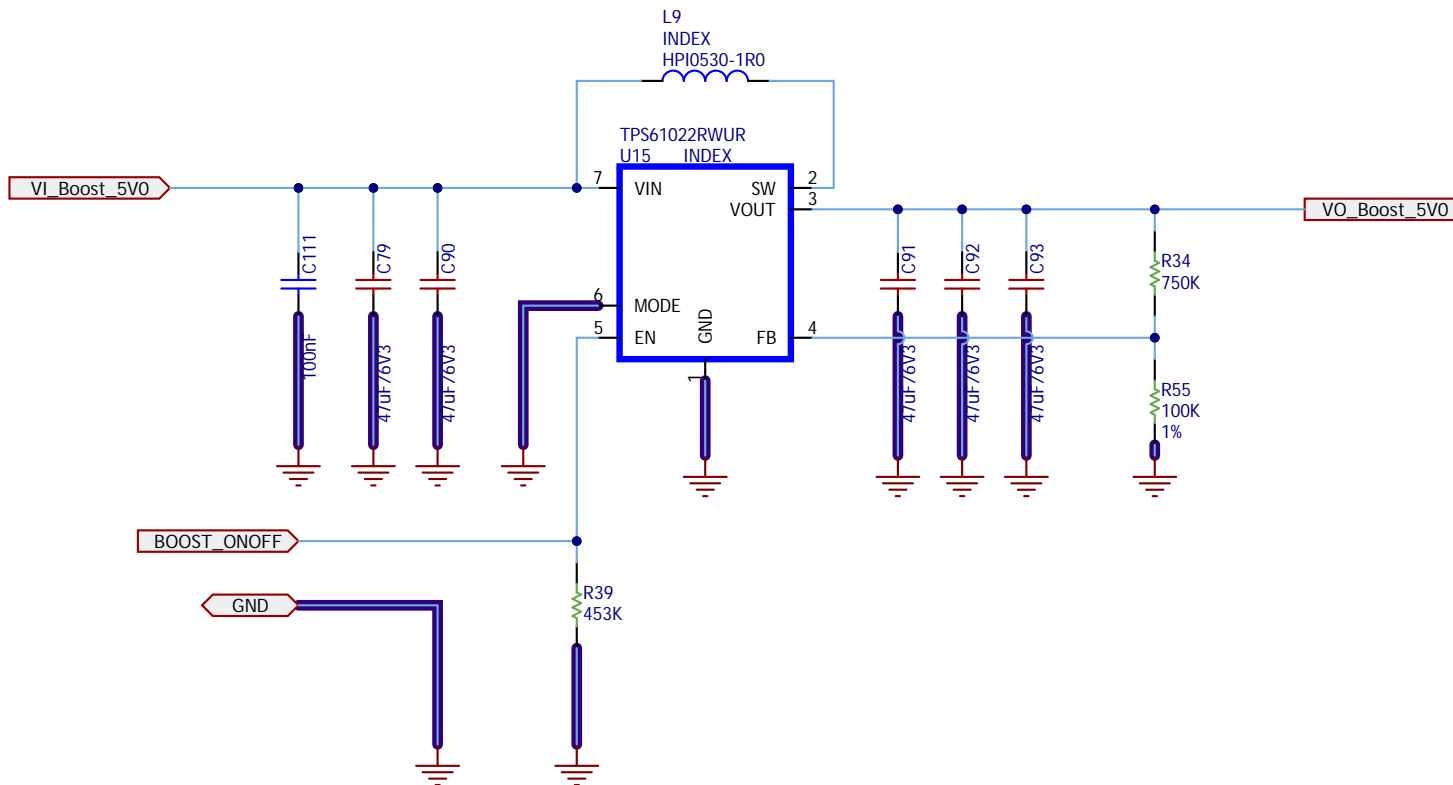



www.pimodules.com

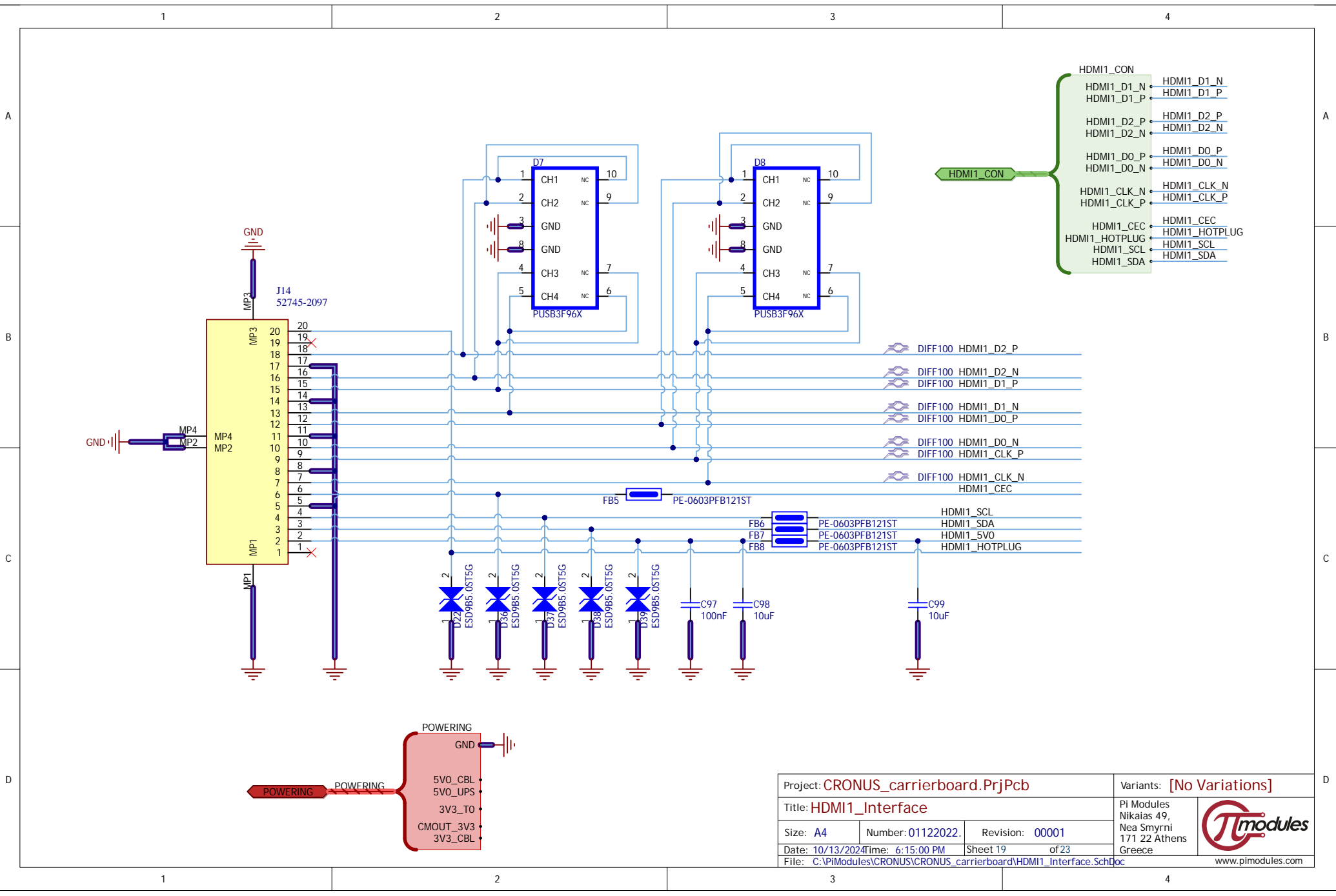
Adjust Resistors depending to Used SC/BAT Variants




Project: CRONUS_carrierboard.PrjPcb			Variants: [No Variations]	
Title: Charger LP/LF/SC			Pi Modules Nikaia 49, Nea Smyrni 171 22 Athens Greece	
Size: A4	Number: 01122022.	Revision: 00001		
Date: 10/13/2024	Time: 6:15:00 PM	Sheet 17 of 23		
File: C:\PiModules\CRONUS\CRONUS_carrierboard\Charger_LP_LF_SC.SchDoc			www.pimodules.com	



Project: CRONUS_carrierboard.PrjPcb			Variants: [No Variations]	
Title: 5.25@3.2A Boost Converter			PiModules Nikaïas 49, Nea Smyrni 17122 Athens Greece	
Size: A	Number: 01012020	Revision: 001		
Date: 10/13/2024	Time: 6:15:00 PM	Sheet 18 of 23		
File: C:\PiModules\CRONUS_carrierboard\Boost_5.25@3.2A_LV.SchDoc			www.pimodules.com	



HDMI1_CON	
HDMI1_D1_N	HDMI1_D1_N
HDMI1_D1_P	HDMI1_D1_P
HDMI1_D2_P	HDMI1_D2_P
HDMI1_D2_N	HDMI1_D2_N
HDMI1_DO_P	HDMI1_DO_P
HDMI1_DO_N	HDMI1_DO_N
HDMI1_CLK_N	HDMI1_CLK_N
HDMI1_CLK_P	HDMI1_CLK_P
HDMI1_CEC	HDMI1_CEC
HDMI1_HOTPLUG	HDMI1_HOTPLUG
HDMI1_SCL	HDMI1_SCL
HDMI1_SDA	HDMI1_SDA

Project: CRONUS_carrierboard.PrjPcb		Variants: [No Variations]	
Title: HDMI1_Interface		Pi Modules Nikais 49, Nea Smyrni 171 22 Athens Greece	
Size: A4	Number: 01122022.	Revision: 00001	
Date: 10/13/2024	Time: 6:15:00 PM	Sheet 19 of 23	
File: C:\PiModules\CRONUS\CRONUS_carrierboard\HDMI1_Interface.SchDoc			
www.pimodules.com			