
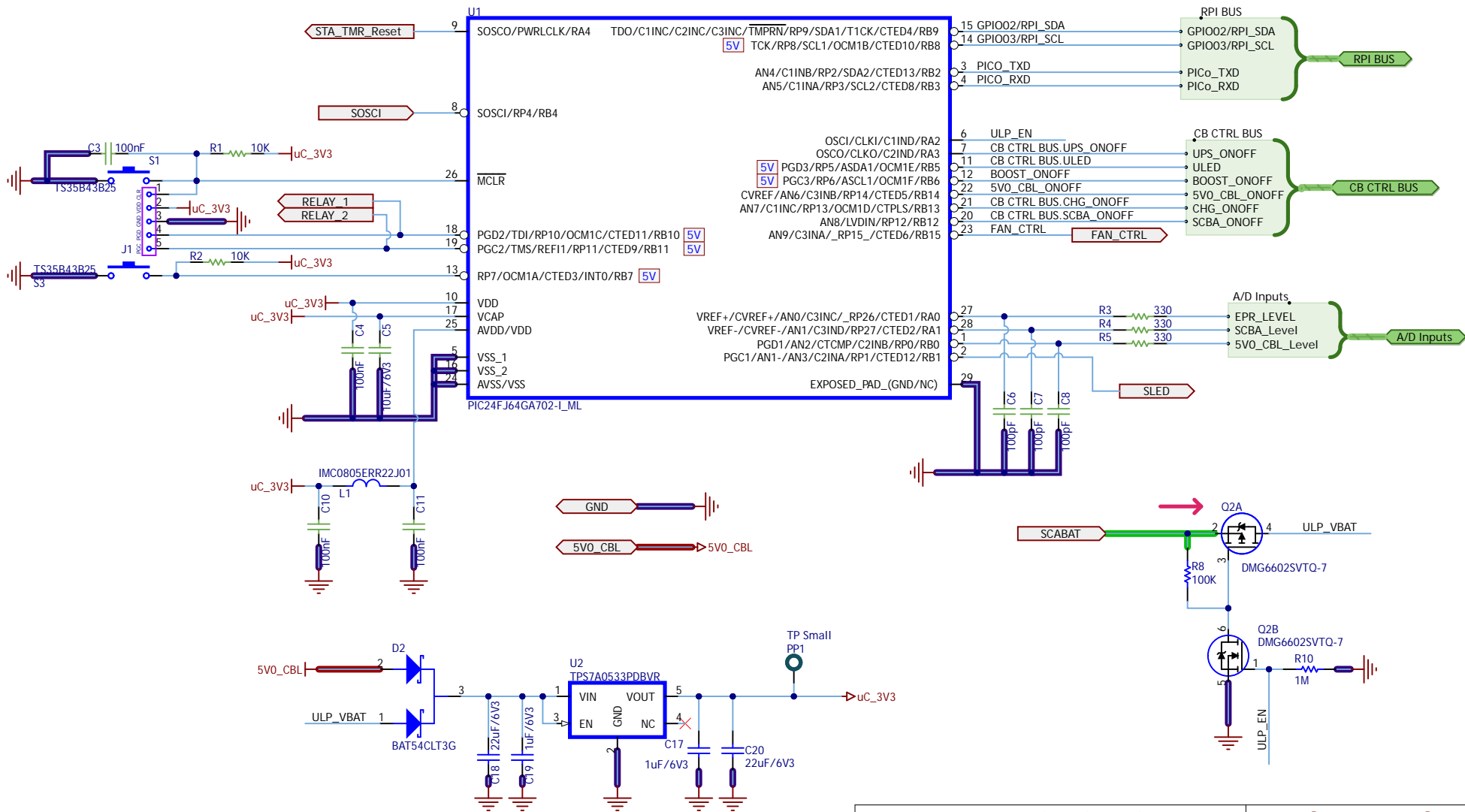

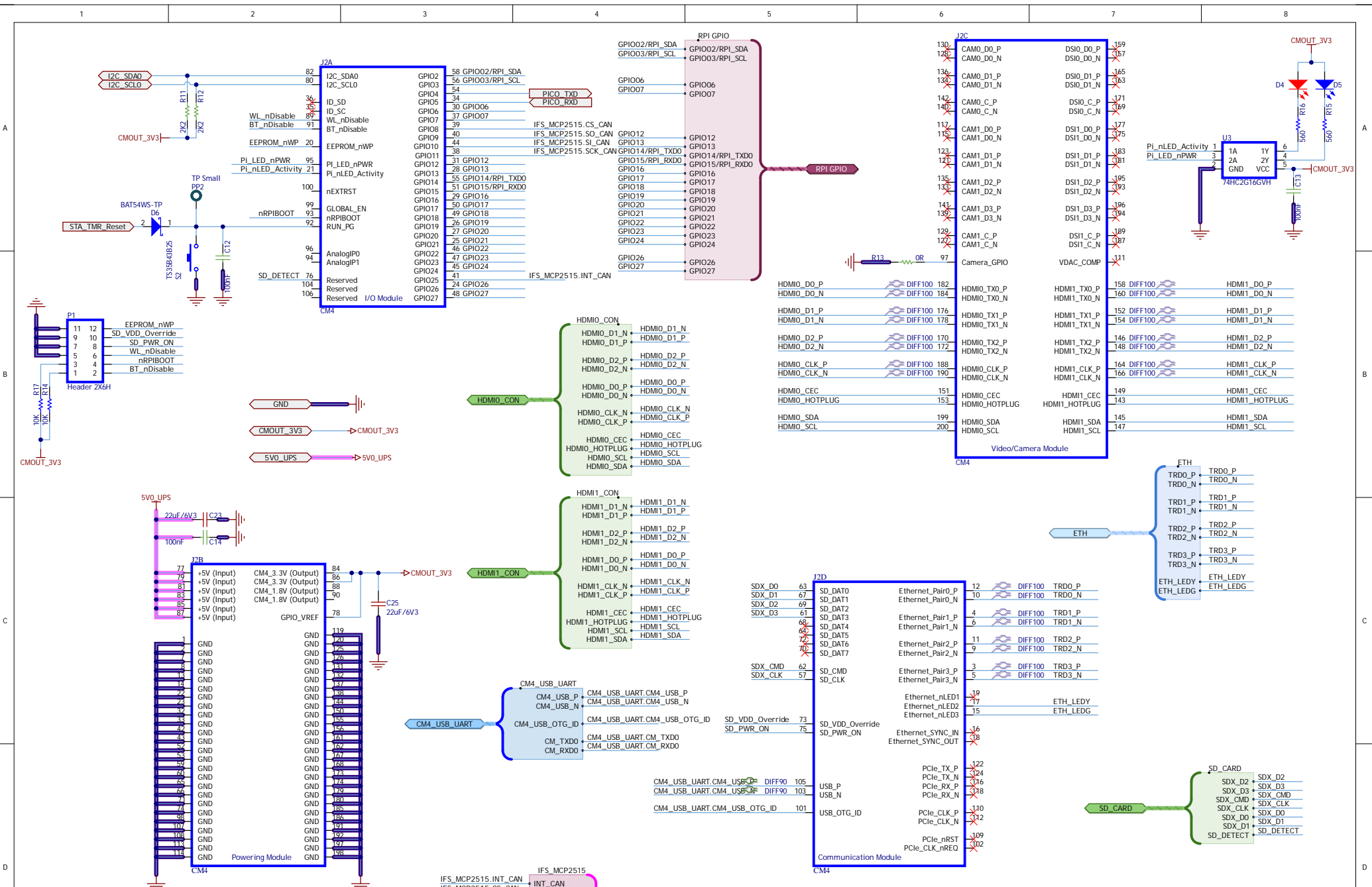



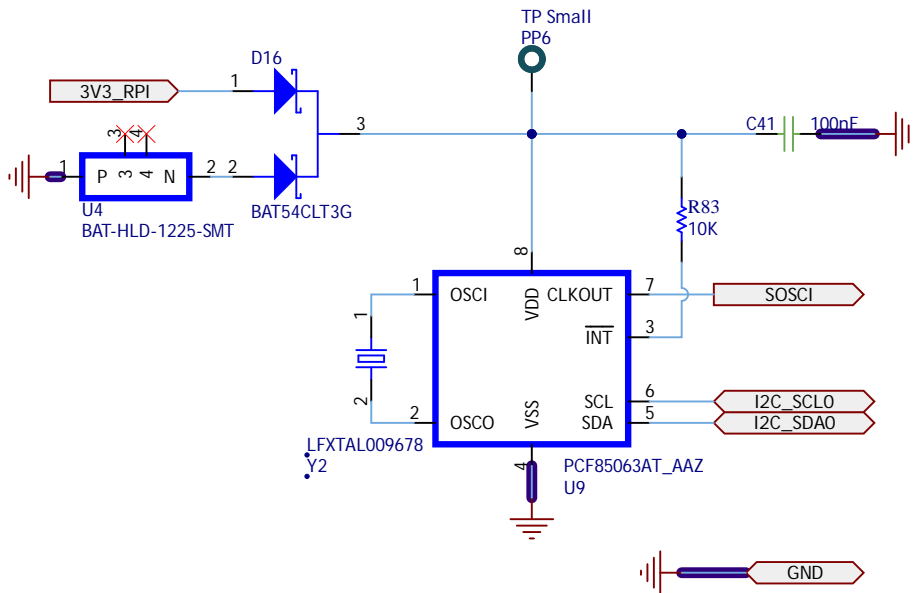
Project: CRONUS_carrierboard.PrjPcb			Variants: [No Variations]	
Title: ROOT				
Size: A3	Number: 01122022.	Revision: 00001		
Date: 12/9/2024	Time: 10:30:07 PM	Sheet 1	of 22	
File: C:\PIModules\CRONUS\CRONUS_carrierboard\Root_SchDoc			Pi Modules Nikolas 49, Nea Smyrni 171 22 Athens Greece  www.pimodules.com	




Project: CRONUS_carrierboard.PrjPcb			Variants: [No Variations]	
Title: CPU			Pi Modules Nikaias 49, Nea Smyrni 171 22 Athens Greece	
Size: A4	Number: 01122022.	Revision: 00001		
Date: 12/9/2024	Time: 10:30:07 PM	Sheet 2 of 22		
File: C:\PiModules\CRONUS\CRONUS_carrierboard\CPU.SchDoc			www.pimodules.com	



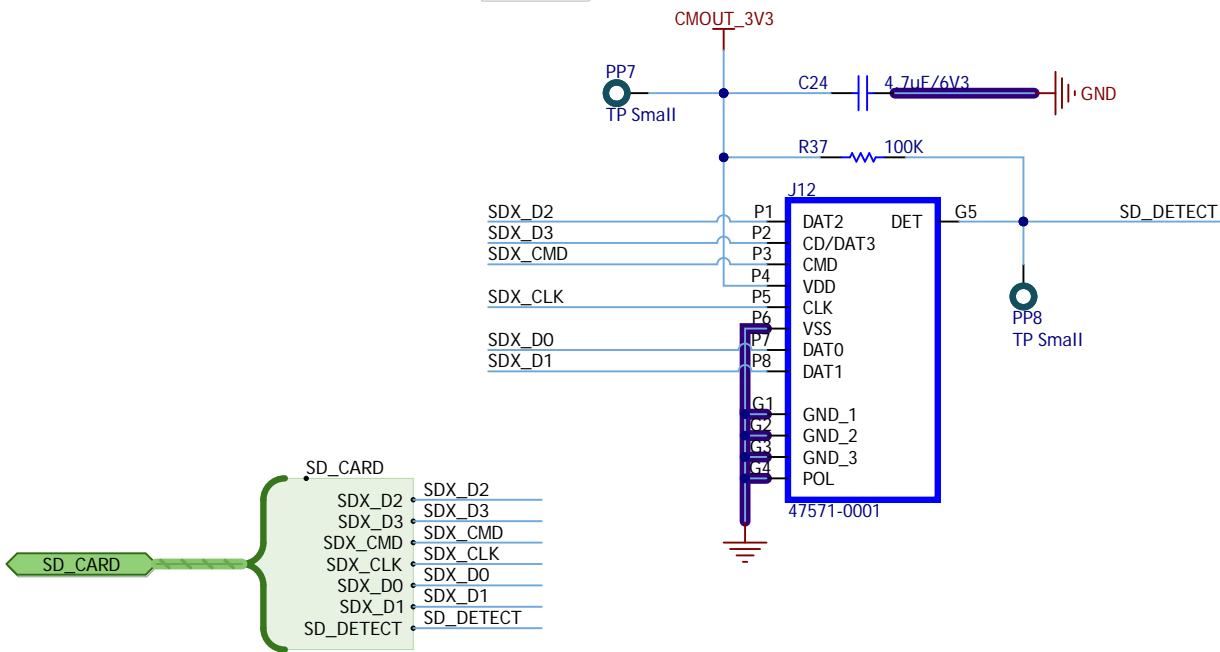
Project: CRONUS_carrierboard.PrcPcb		Variants: [No Variations]	
Title: CM4			
Size: A3	Number: 01122022	Revision: 00001	
Date: 12/9/2024	Time: 10:30:08 PM	Sheet 3	of 22
File: C:\PIModules\CRONUS\CRONUS_carrierboard\CM4_SchDoc		Pi Modules Nikolas 49, Nesa Smyrni 171 22 Athens Greece	
		 www.pimodules.com	



Project: CRONUS_carrierboard.PrjPcb			Variants: [No Variations]	
Title: RTC			PiModules Nikaïas 49, Nea Smyrni 17122 Athens Greece	
Size: A	Number: 01122022	Revision: 00001	 www.pimodules.com	
Date: 12/9/2024	Time: 10:30:08 PM	Sheet 4 of 22		
File: C:\PiModules\CRONUS\CRONUS_carrierboard\RTC.SchDoc				

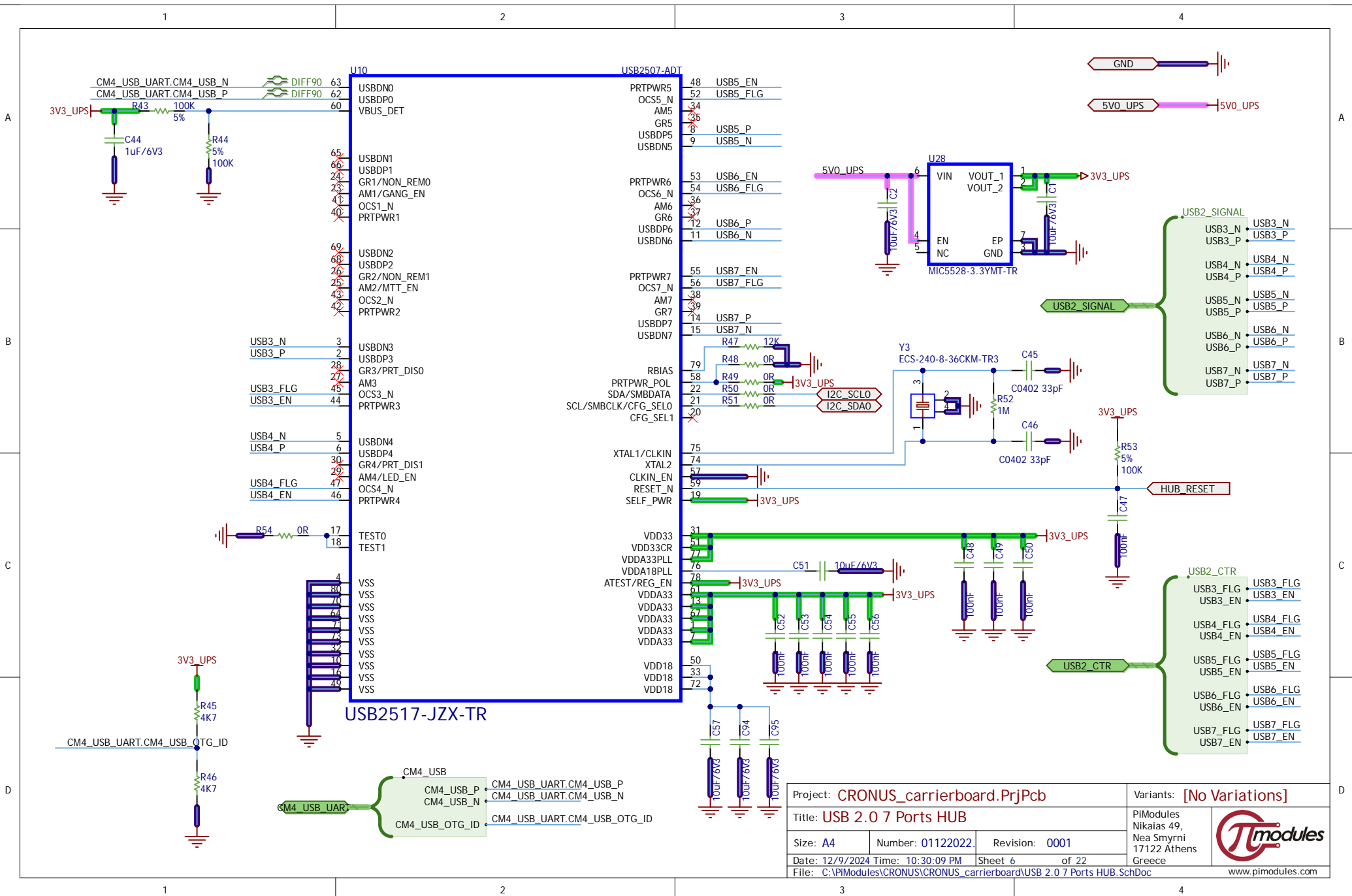



CMOUT_3V3 is originated by CM4 and is protected by UPS

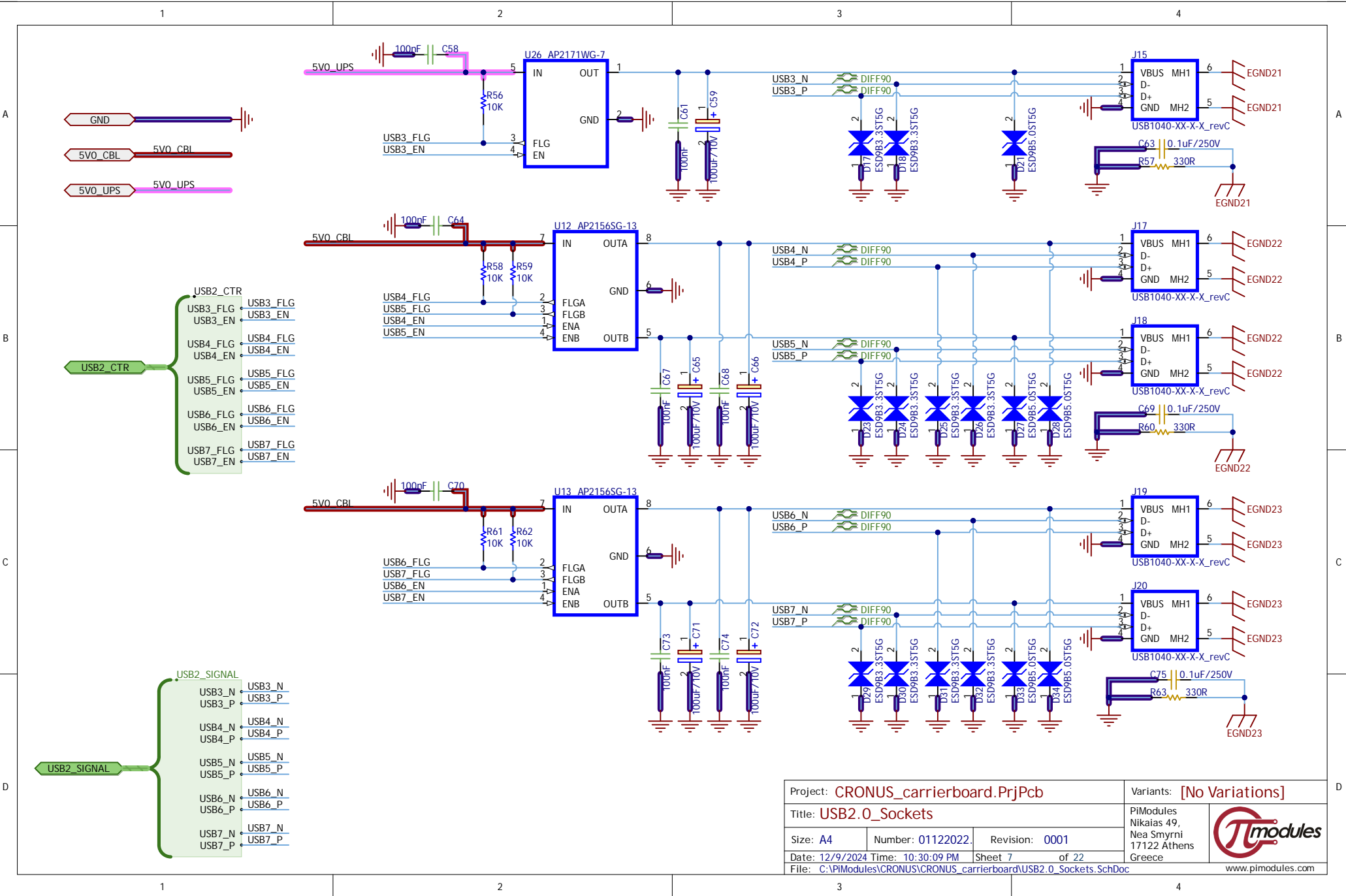



Project: CRONUS_carrierboard.PrjPcb		Variants: [No Variations]	
Title: Evergreen Miner SD Card		PiModules Nikaïas 49, Nea Smyrni 17122 Athens Greece	
Size: A	Number: 01122022	Revision: 00001	
Date: 12/9/2024	Time: 10:30:08 PM	Sheet 5	of 22
File: C:\PiModules\CRONUS_carrierboard\SD Card.SchDoc		www.pimodules.com	

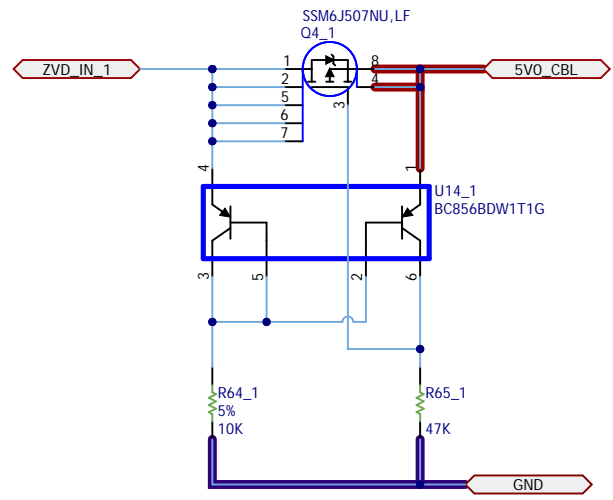





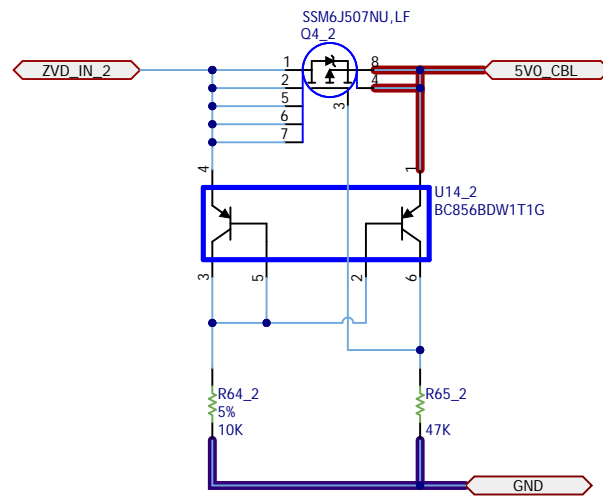
Project: CRONUS_carrierboard.PrjPcb		Variants: [No Variations]	
Title: USB 2.0 7 Ports HUB		PiModules Nikaias 49, Nea Smyrni 17122 Athens Greece	
Size: A4	Number: 01122022	Revision: 0001	
Date: 12/9/2024	Time: 10:30:09 PM	Sheet 6 of 22	
File: C:\PiModules\CRONUS\CRONUS_carrierboard\USB 2.0 7 Ports HUB.SchDoc		www.pi-modules.com	




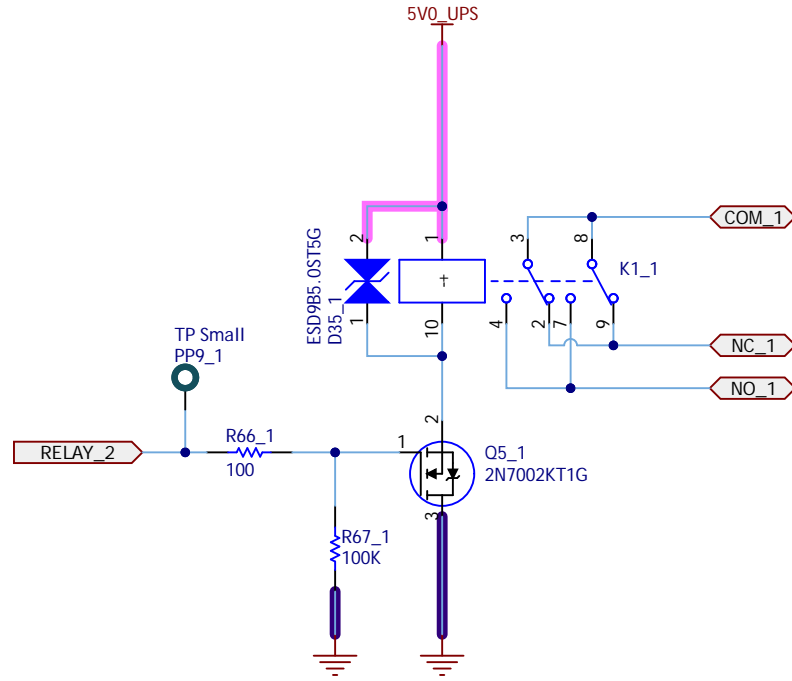
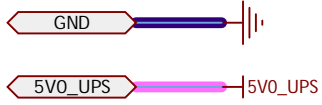
Project: CRONUS_carrierboard.PrjPcb		Variants: [No Variations]	
Title: USB2.0_Sockets		PIModules Nikias 49, Nea Smyrni 17122 Athens Greece	
Size: A4	Number: 01122022	Revision: 0001	 www.pimodules.com
Date: 12/9/2024	Time: 10:30:09 PM	Sheet 7 of 22	
File: C:\PIModules\CRONUS\CRONUS_carrierboard\USB2.0_Sockets.SchDoc			




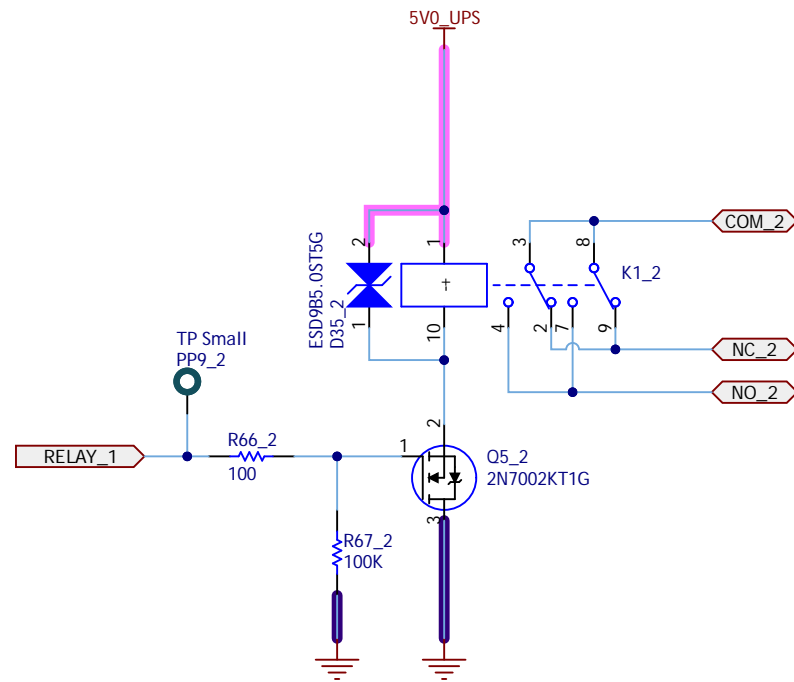
Project: CRONUS_carrierboard.PrjPcb			Variants: [No Variations]
Title: ZVD			Pi Modules Nikaias 49, Nea Smyrni 171 22 Athens Greece  www.pimodules.com
Size: A4	Number: 01122022.2	Revision: 000001	
Date: 12/9/2024	Time: 10:30:09 PM	Sheet 8.1 of 22	
File: C:\PiModules\CRONUS\CRONUS_carrierboard\ZVD.SchDoc			




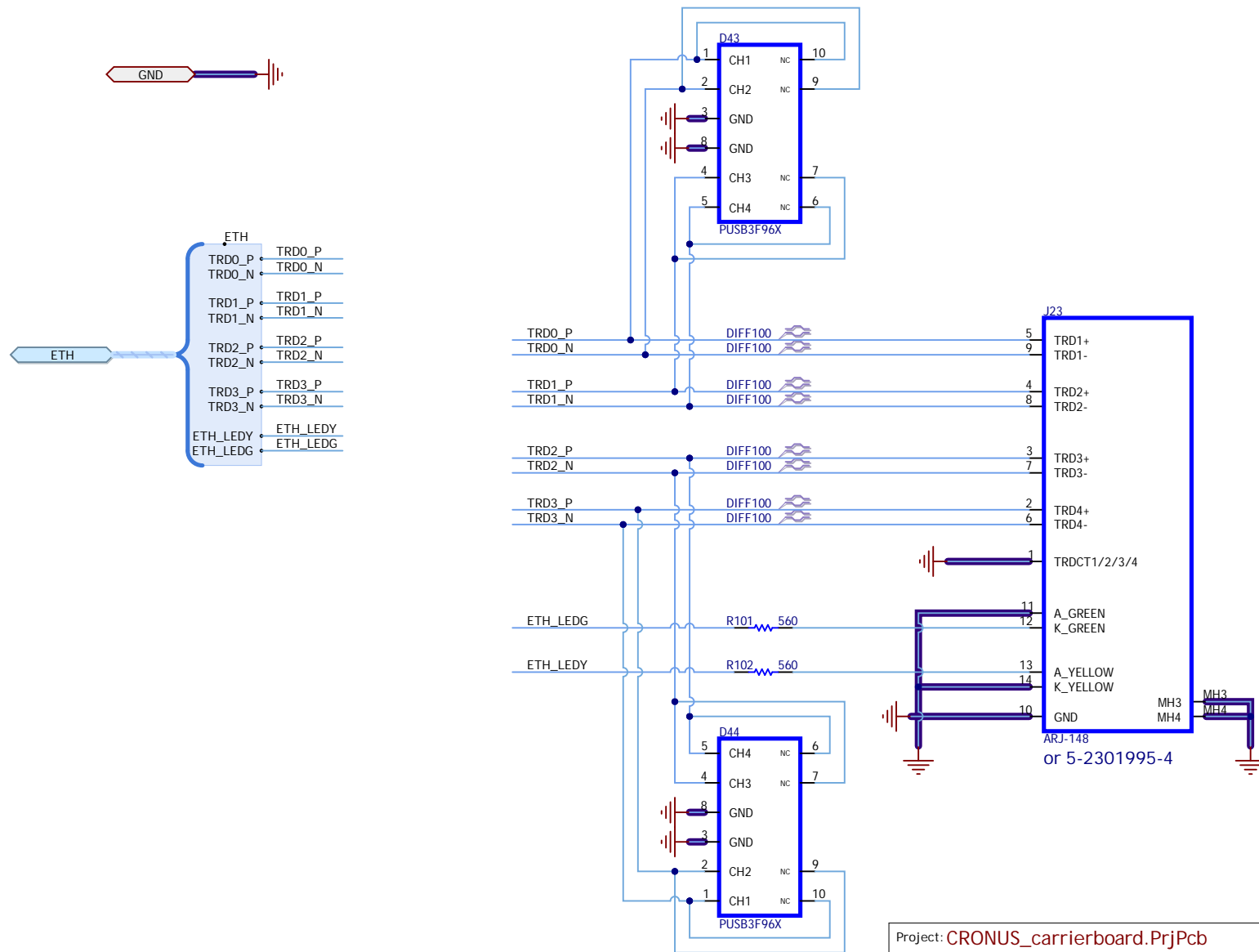
Project: CRONUS_carrierboard.PrjPcb			Variants: [No Variations]
Title: ZVD			Pi Modules Nikaias 49, Nea Smyrni 171 22 Athens Greece  www.pimodules.com
Size: A4	Number: 01122022.1	Revision: 000001	
Date: 12/9/2024	Time: 10:30:09 PM	Sheet 8.2 of 22	
File: C:\PiModules\CRONUS\CRONUS_carrierboard\ZVD.SchDoc			




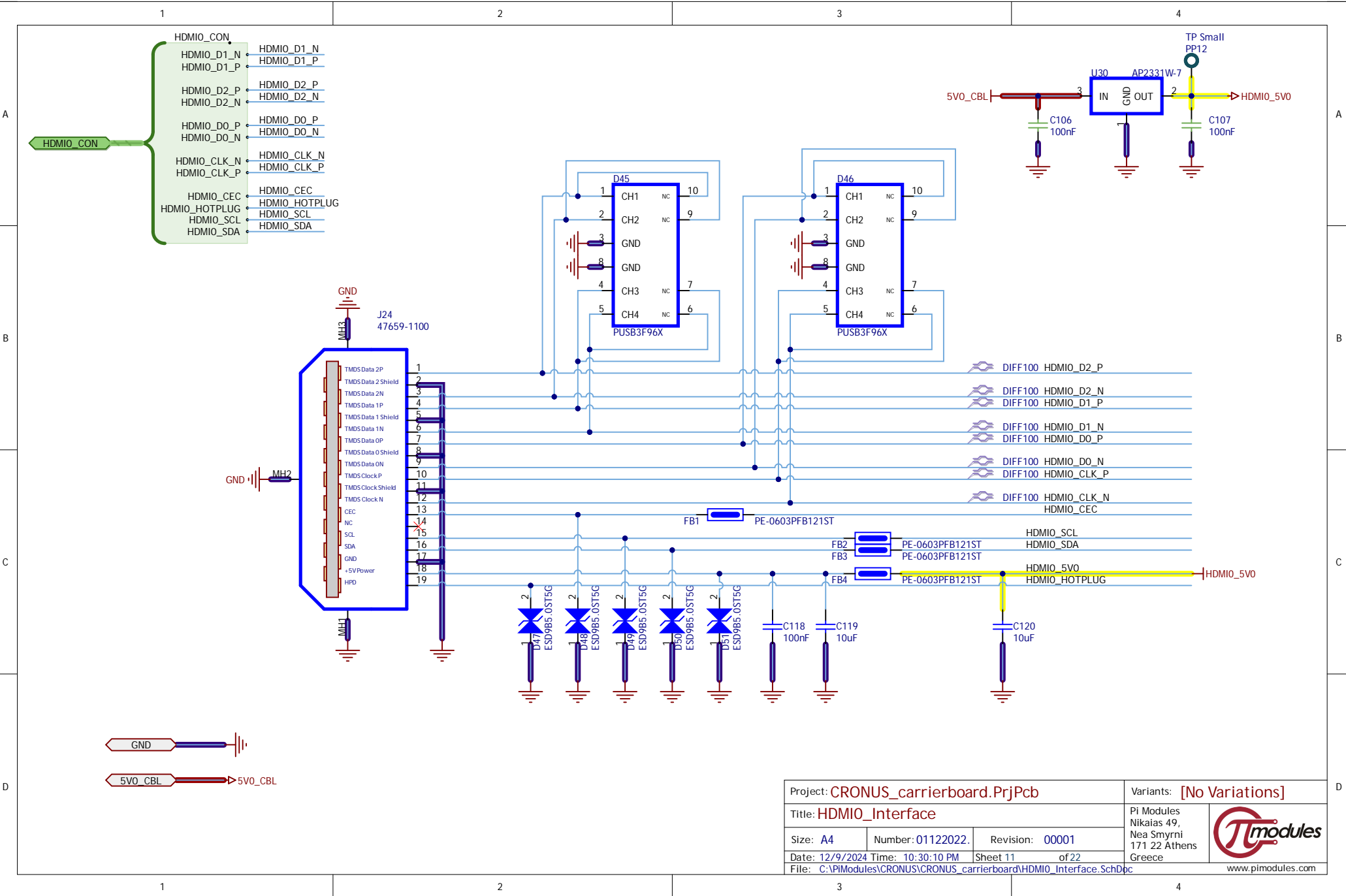
Project: CRONUS_carrierboard.PrjPcb		Variants: [No Variations]	
Title: SPDT Relay 5V		PiModules Nikaïas 49, Nea Smyrni 17122 Athens Greece	
Size: A	Number: 01122022.2	Revision: 00001	
Date: 12/9/2024	Time: 10:30:09 PM	Sheet 9.1 of 22	
File: C:\PiModules\CRONUS_carrierboard\SPDT Relay 5V.SchDoc			www.pimodules.com




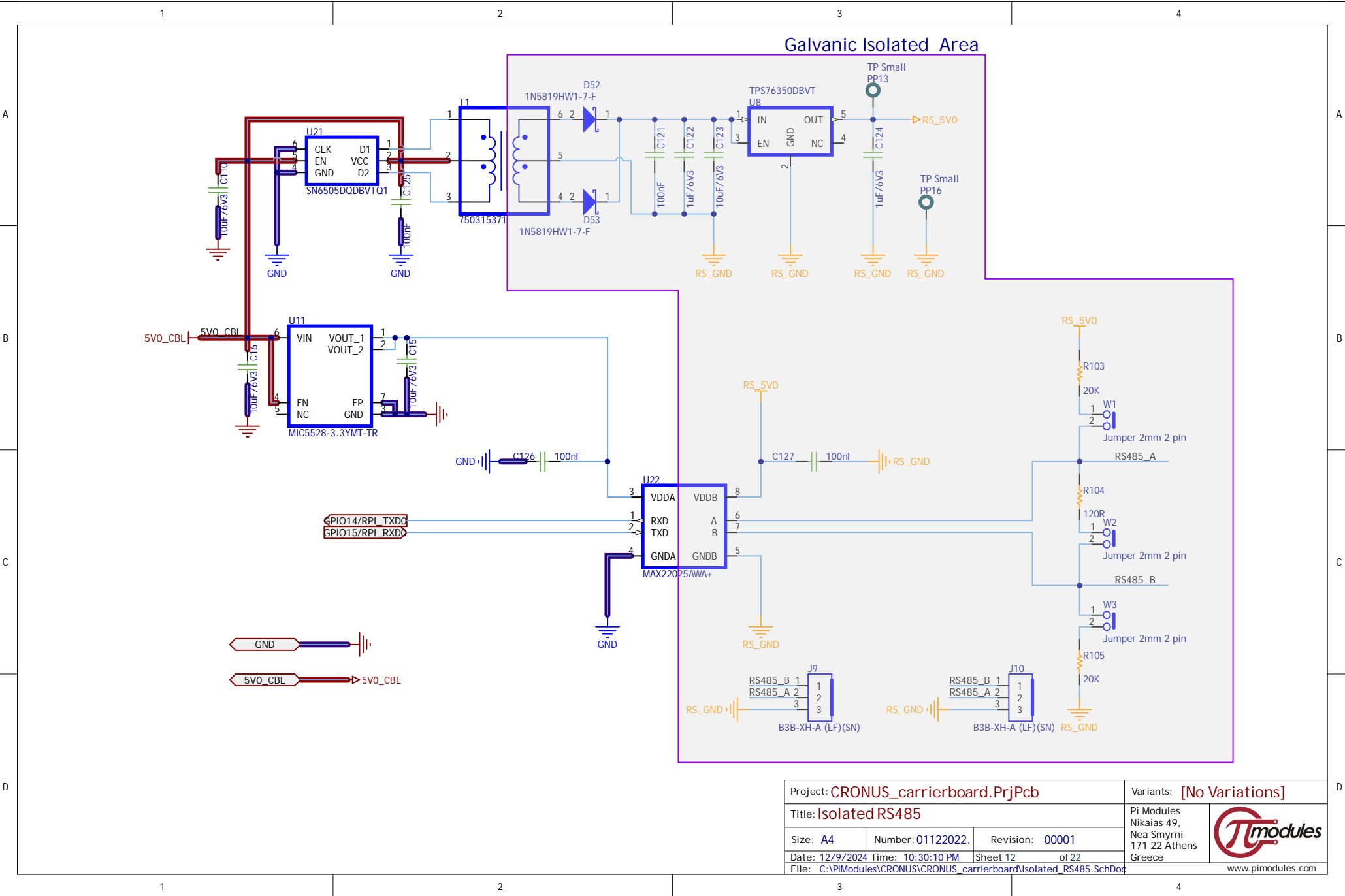
Project: CRONUS_carrierboard.PrjPcb		Variants: [No Variations]	
Title: SPDT Relay 5V		PiModules Nikaia 49, Nea Smyrni 17122 Athens Greece	
Size: A	Number: 01122022.1	Revision: 00001	
Date: 12/9/2024	Time: 10:30:10 PM	Sheet 9.2 of 22	
File: C:\PiModules\CRONUS_carrierboard\SPDT Relay 5V.SchDoc			www.pimodules.com




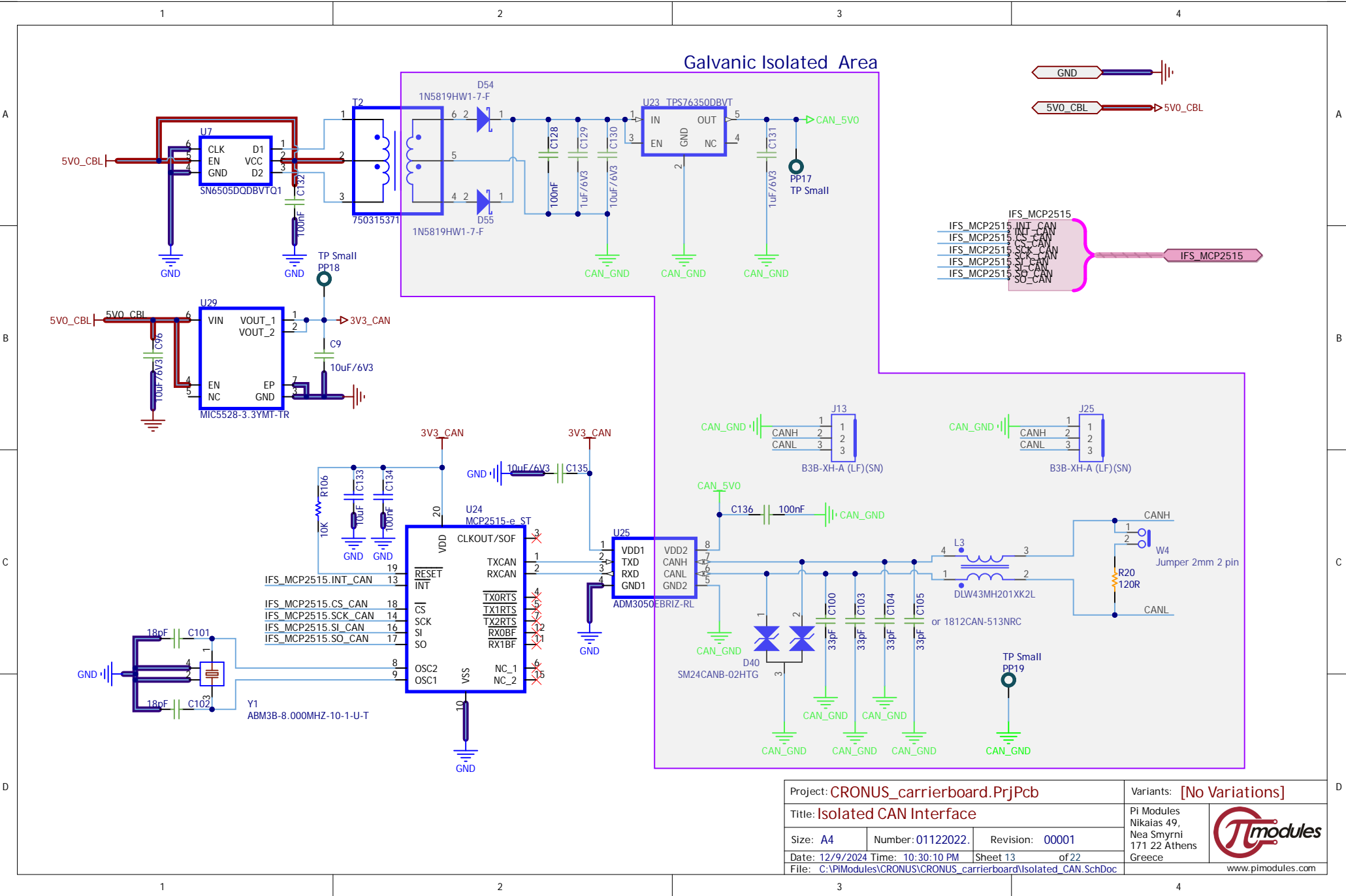
Project: CRONUS_carrierboard.PrjPcb		Variants: [No Variations]	
Title: 1GB Ethernet Interface		Pi Modules Nikais 49, Nea Smyrni 171 22 Athens Greece	
Size: A4	Number: 01122022.	Revision: 00001	
Date: 12/9/2024	Time: 10:30:10 PM	Sheet 10 of 22	
File: C:\PiModules\CRONUS\CRONUS_carrierboard\1GB_Etherent_Interface.SchDoc			www.pimodules.com



Project: CRONUS_carrierboard.PrjPcb		Variants: [No Variations]	
Title: HDMI_Interface		Pi Modules Nikais 49, Nea Smyrni 171 22 Athens Greece	
Size: A4	Number: 01122022.	Revision: 00001	
Date: 12/9/2024	Time: 10:30:10 PM	Sheet 11 of 22	
File: C:\PiModules\CRONUS\CRONUS_carrierboard\HDMI_Interface.SchDpc			
www.pimodules.com			

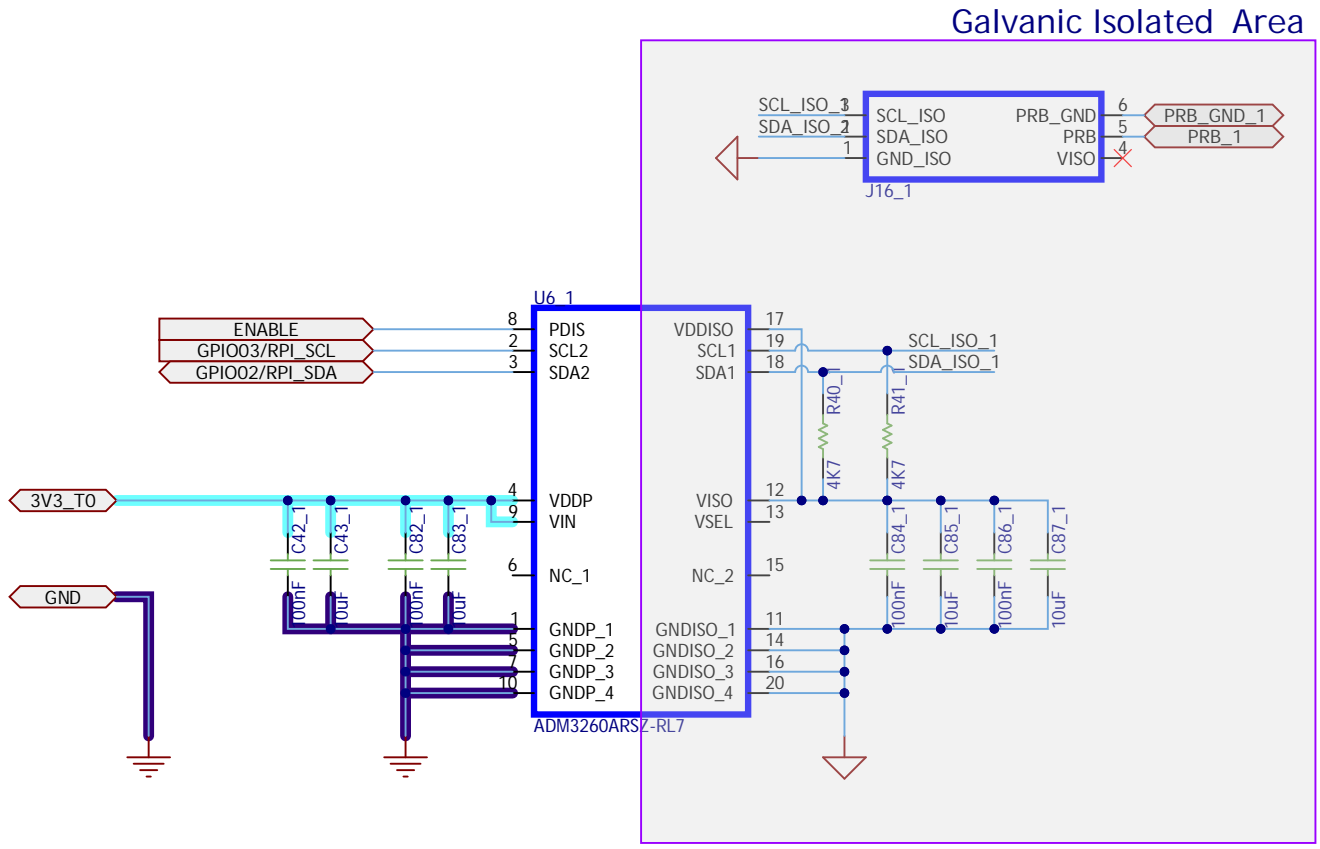



Project: CRONUS_carrierboard.PrjPcb			Variants: [No Variations]
Title: Isolated RS485			Pi Modules Nikais 49, Nea Smyrni 171 22 Athens Greece
Size: A4	Number: 01122022.	Revision: 00001	 www.pimodules.com
Date: 12/9/2024	Time: 10:30:10 PM	Sheet 12 of 22	
File: C:\PiModules\CRONUS\CRONUS_carrierboard\Isolated_RS485.SchDoc			

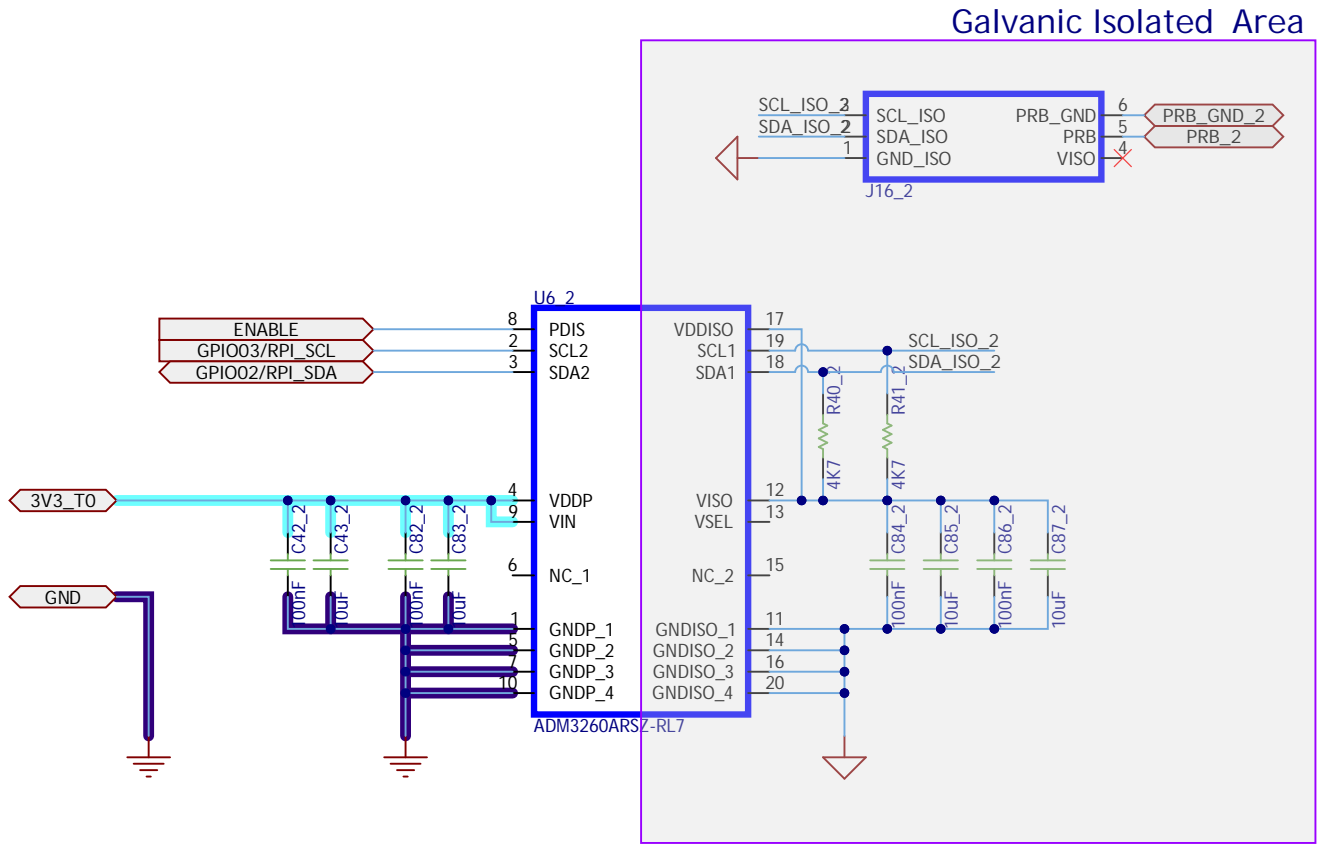


Project: CRONUS_carrierboard.PrjPcb			Variants: [No Variations]	
Title: Isolated CAN Interface				
Size: A4	Number: 01122022.	Revision: 00001		
Date: 12/9/2024	Time: 10:30:10 PM	Sheet 13	of 22	
File: C:\PiModules\CRONUS\CRONUS_carrierboard\Isolated_CAN.SchDoc			www.pimodules.com	




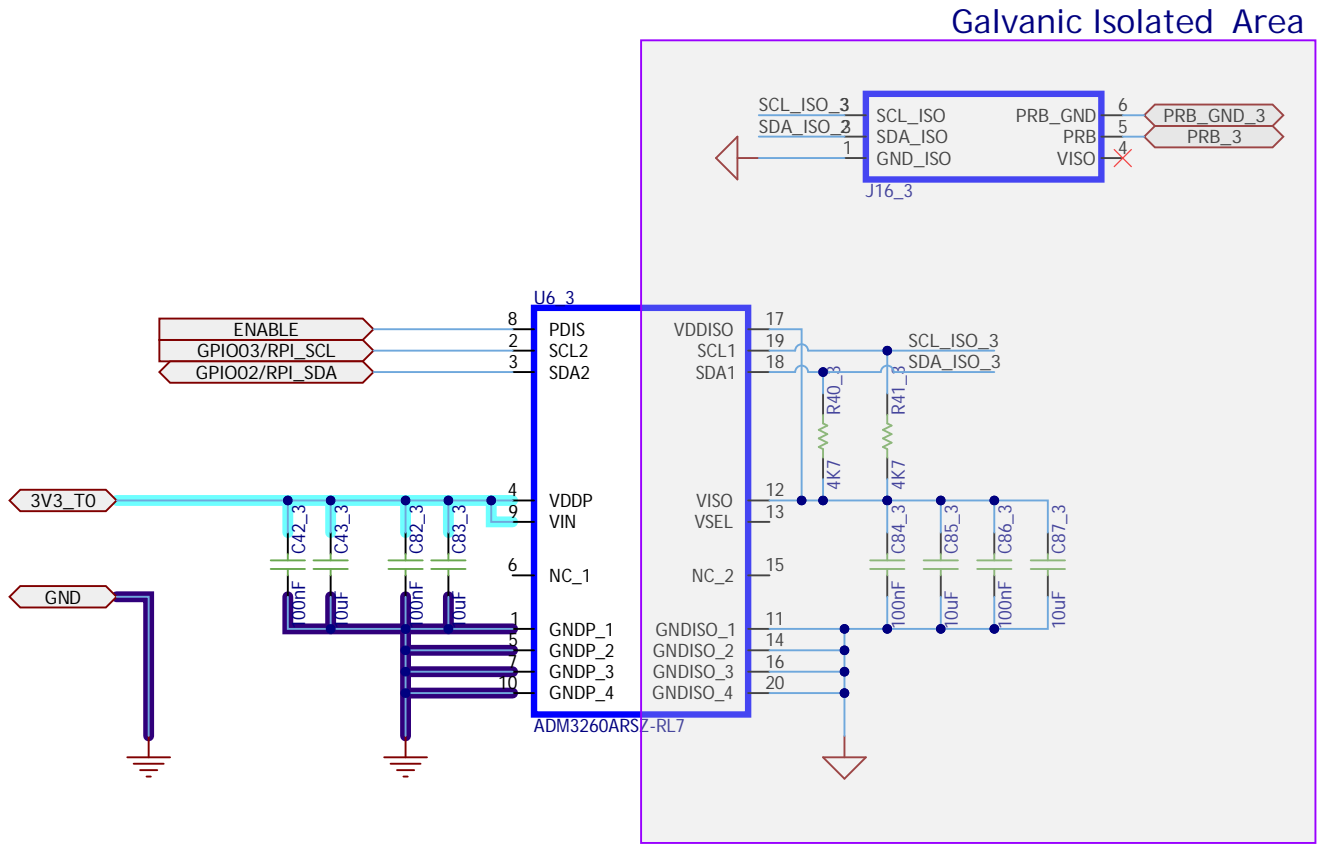



Project: CRONUS_carrierboard.PrjPcb		Variants: [No Variations]	
Title: Whitebox TO Isolator		PiModules Nikaïas 49, Nea Smyrni 17122 Athens Greece	
Size: A	Number: 01122022.3	Revision: 0001	
Date: 12/9/2024 Time: 10:30:11 PM	Sheet 14.1 of 22		
File: C:\PiModules\CRONUS_carrierboard\Whitebox TO Isolator.SchDoc			www.pimodules.com

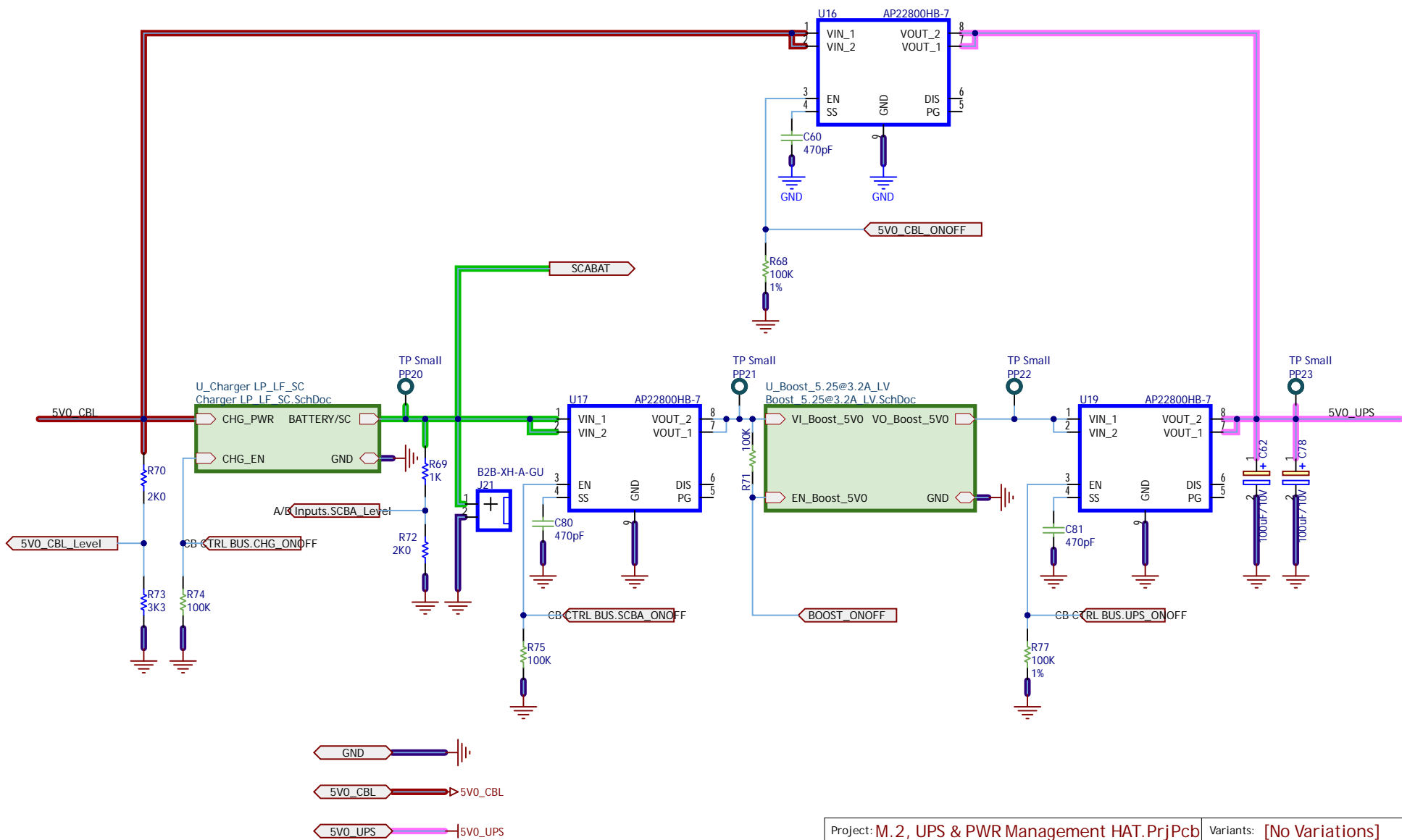


Galvanic Isolated Area

Project: CRONUS_carrierboard.PrjPcb		Variants: [No Variations]	
Title: Whitebox TO Isolator		PiModules Nikaïas 49, Nea Smyrni 17122 Athens Greece	
Size: A	Number: 01122022.2	Revision: 0001	
Date: 12/9/2024 Time: 10:30:11 PM	Sheet 14.2 of 22		
File: C:\PiModules\CRONUS_carrierboard\Whitebox TO Isolator.SchDoc			www.pimodules.com



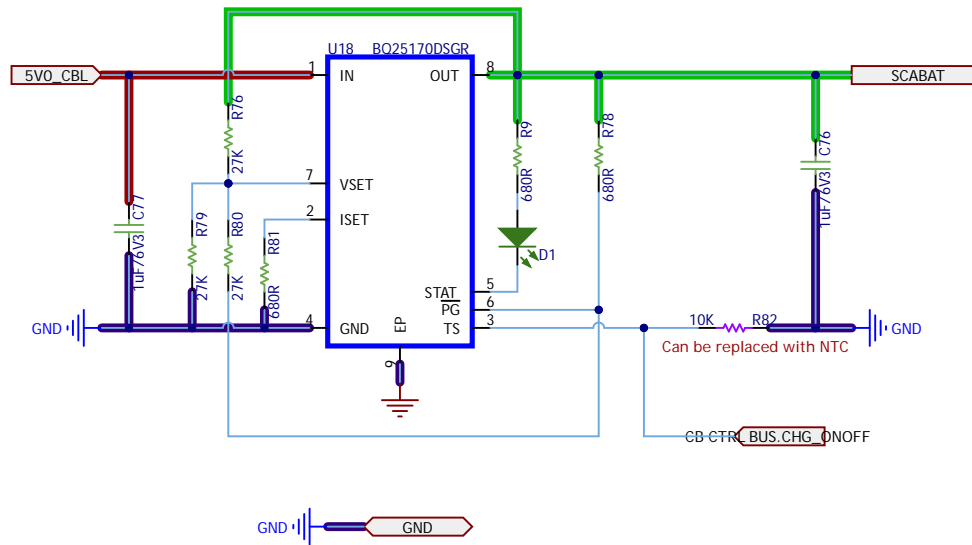
Project: CRONUS_carrierboard.PrjPcb		Variants: [No Variations]	
Title: Whitebox TO Isolator		PiModules Nikaïas 49, Nea Smyrni 17122 Athens Greece	
Size: A	Number: 01122022.1	Revision: 0001	
Date: 12/9/2024 Time: 10:30:11 PM	Sheet 14.3 of 22		
File: C:\PiModules\CRONUS_carrierboard\Whitebox TO Isolator.SchDoc			www.pimodules.com




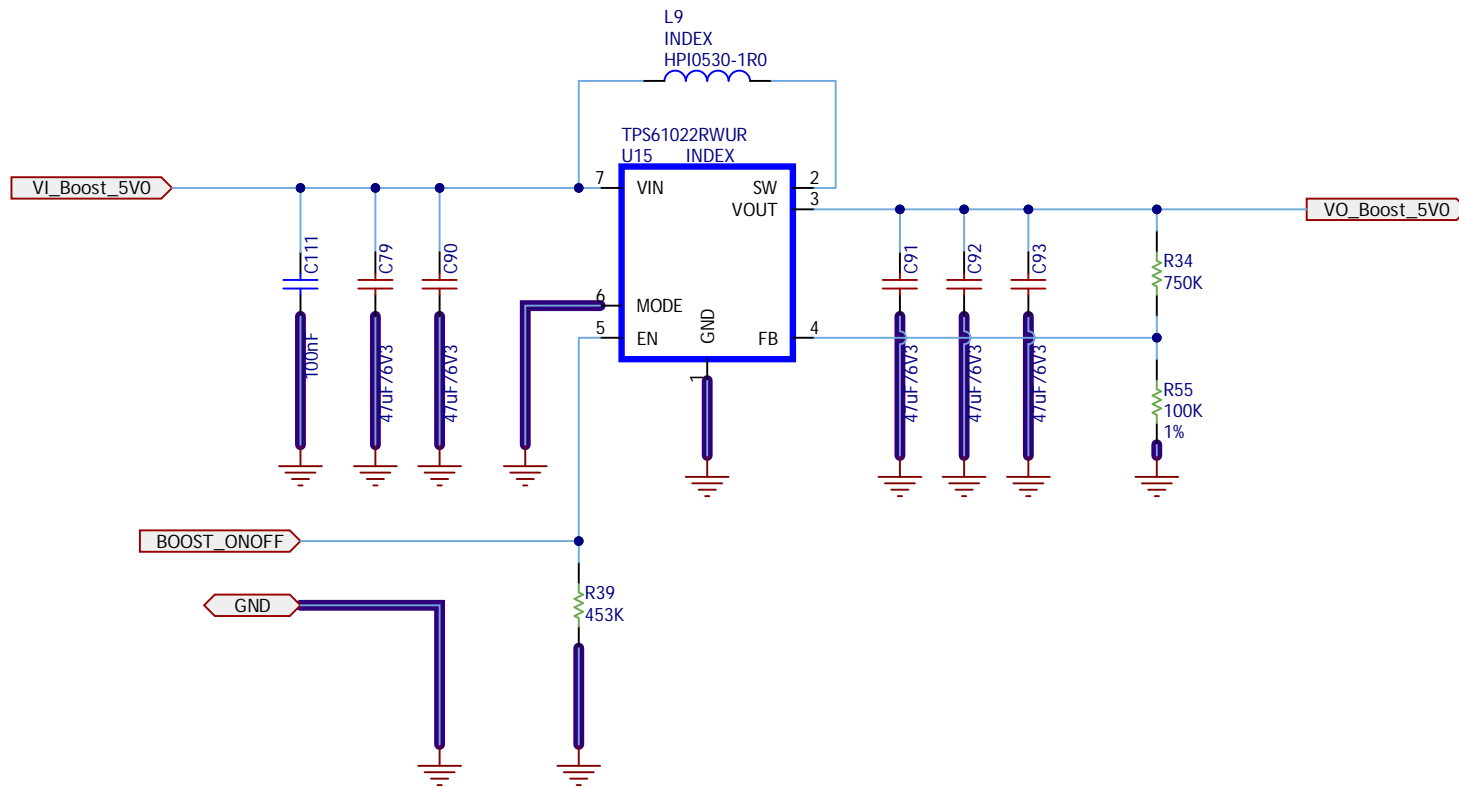
Project: M.2, UPS & PWR Management HAT.PrjPcb			Variants: [No Variations]
Title:			
Size: A4	Number:	Revision:	
Date: 12/9/2024	Time: 10:30:11 PM	Sheet	of
File: C:\PIModules\CRONUS\CRONUS_carrierboardUPS.SchDoc			




Adjust Resistors depending to Used SC/BAT Variants



Project: CRONUS_carrierboard.PrjPcb			Variants: [No Variations]
Title: Charger LP/LF/SC			Pi Modules Nikaias 49, Nea Smyrni 171 22 Athens Greece  www.pimodules.com
Size: A4	Number: 01122022.	Revision: 00001	
Date: 12/9/2024	Time: 10:30:11 PM	Sheet 16 of 22	
File: C:\PiModules\CRONUS\CRONUS_carrierboard\Charger_LP_LF_SC.SchDoc			



Project: CRONUS_carrierboard.PrjPcb			Variants: [No Variations]	
Title: 5.25@3.2A Boost Converter			PiModules Nikaïas 49, Nea Smyrni 17122 Athens Greece	
Size: A	Number: 01012020	Revision: 001		
Date: 12/9/2024 Time: 10:30:11 PM	Sheet 17	of 22		
File: C:\PiModules\CRONUS_carrierboard\Boost_5.25@3.2A_LV.SchDoc			www.pimodules.com	

