

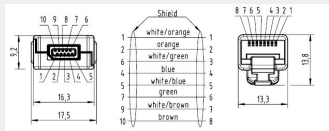
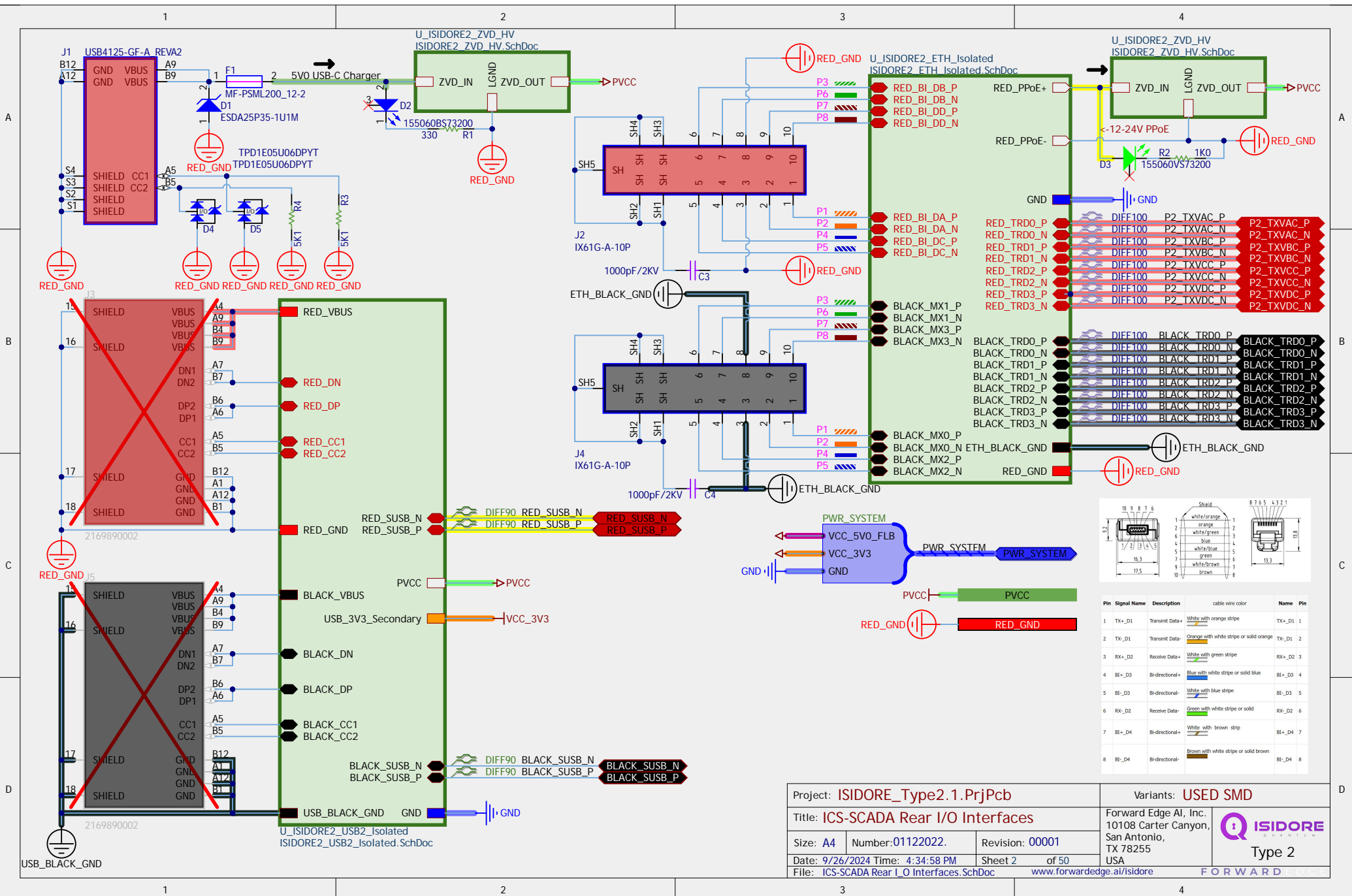
Charger is Always ON, when cable powered automatically activating/deactivating charging

ON/OFF Switch Functionality

- Position ON
 - Cable Power Connected - System is Running/Battery charged.
 - Cable Power disconnected - System Automatically is running on Battery.
- Position OFF
 - Cable Power Connected - System is NOT Running/Battery charged.
 - Cable Power disconnected - System is OFF/Battery NOT charged.

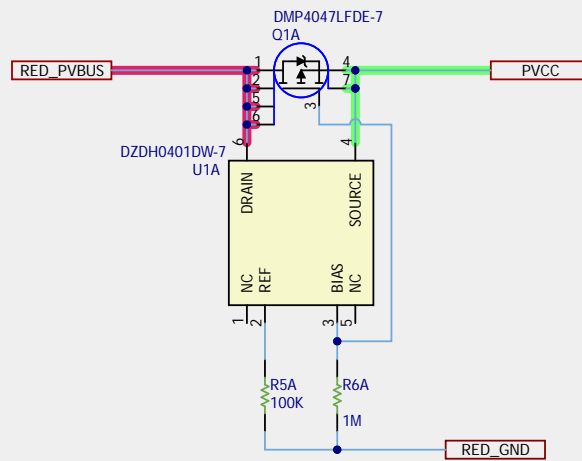
Project: ISIDORE_Type2.1.PrjPcb	Variants: USED SMD
Title: ISIDORE 2.1 ROOT 8L888_T317_PcbDoc and UP	Forward Edge AI, Inc. 10108 Carter Canyon, San Antonio, TX 78255 USA
Size: A3	Number: 01122022.
Date: 9/26/2024 Time: 4:34:57 PM	Revision: 20002
File: ISIDORE2.1_ROOT.SchDoc	Sheet 1 of 50
www.forwardedge.ai/isidore FORWARD	




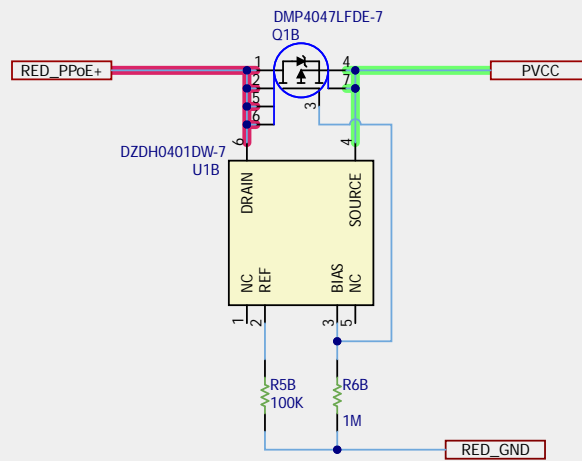



Pin	Signal Name	Description	Cable wire color	Name	Pin
1	TX+ D1	Transmit Data+	White with orange stripe	TX+ D1	1
2	TX- D1	Transmit Data-	Orange with white stripe or solid orange	TX- D1	2
3	RX+ D2	Receive Data+	White with green stripe	RX+ D2	3
4	BI+ D3	Bi-directional+	Blue with white stripe or solid blue	BI+ D3	4
5	BI- D3	Bi-directional-	White with blue stripe	BI- D3	5
6	RX- D2	Receive Data-	Green with white stripe or solid	RX- D2	6
7	BI+ D4	Bi-directional+	White with brown strip	BI+ D4	7
8	BI- D4	Bi-directional-	Brown with white stripe or solid brown	BI- D4	8

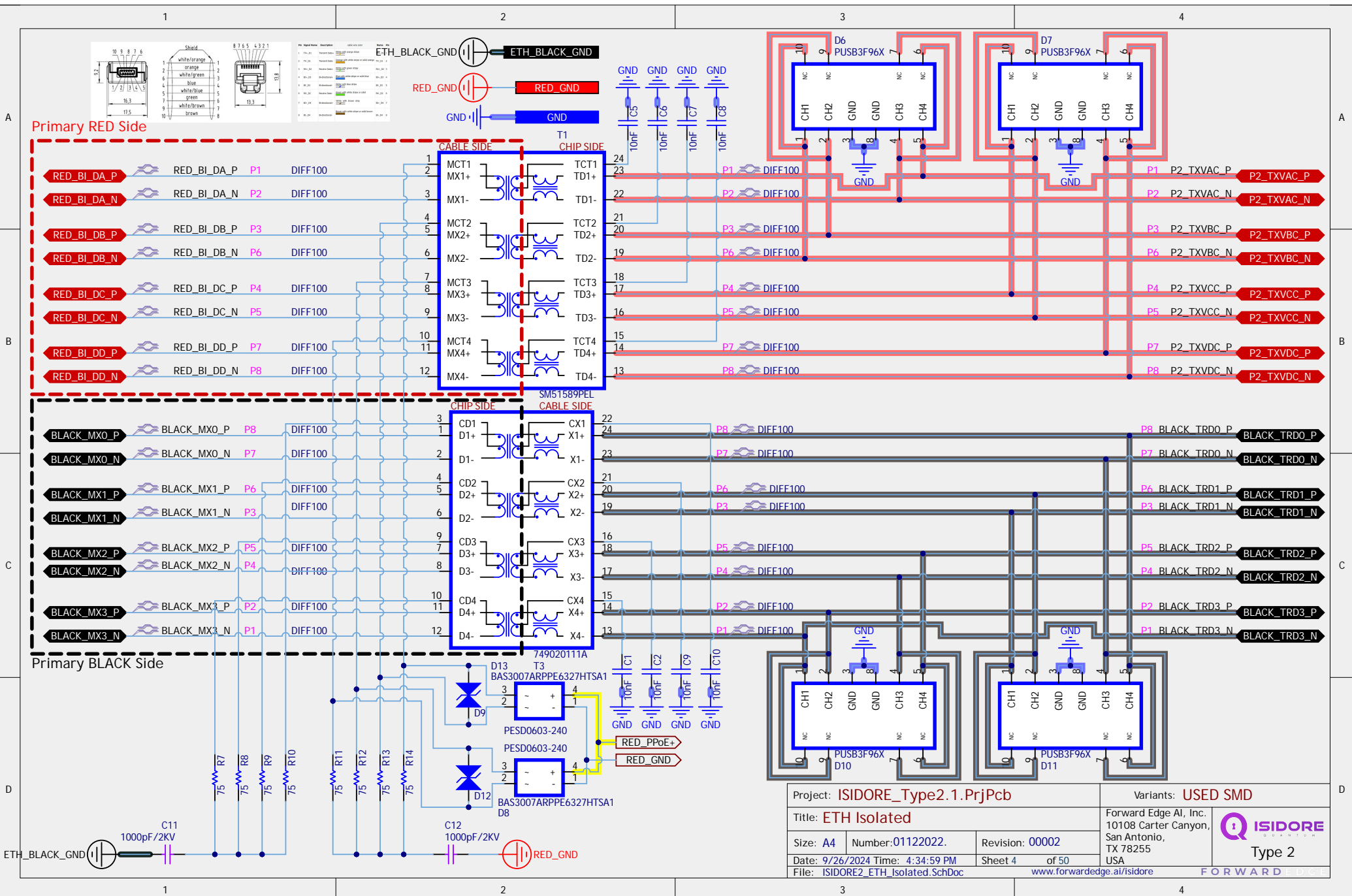
Project: ISIDORE_Type2.1.PrjPcb		Variants: USED SMD	
Title: ICS-SCADA Rear I/O Interfaces		Forward Edge AI, Inc. 10108 Carter Canyon, San Antonio, TX 78255 USA	
Size: A4	Number: 01122022	Revision: 00001	 Type 2
Date: 9/26/2024	Time: 4:34:58 PM	Sheet 2 of 50	
File: ICS-SCADA Rear I/O Interfaces.SchDoc		www.forwardedge.ai/isidore	

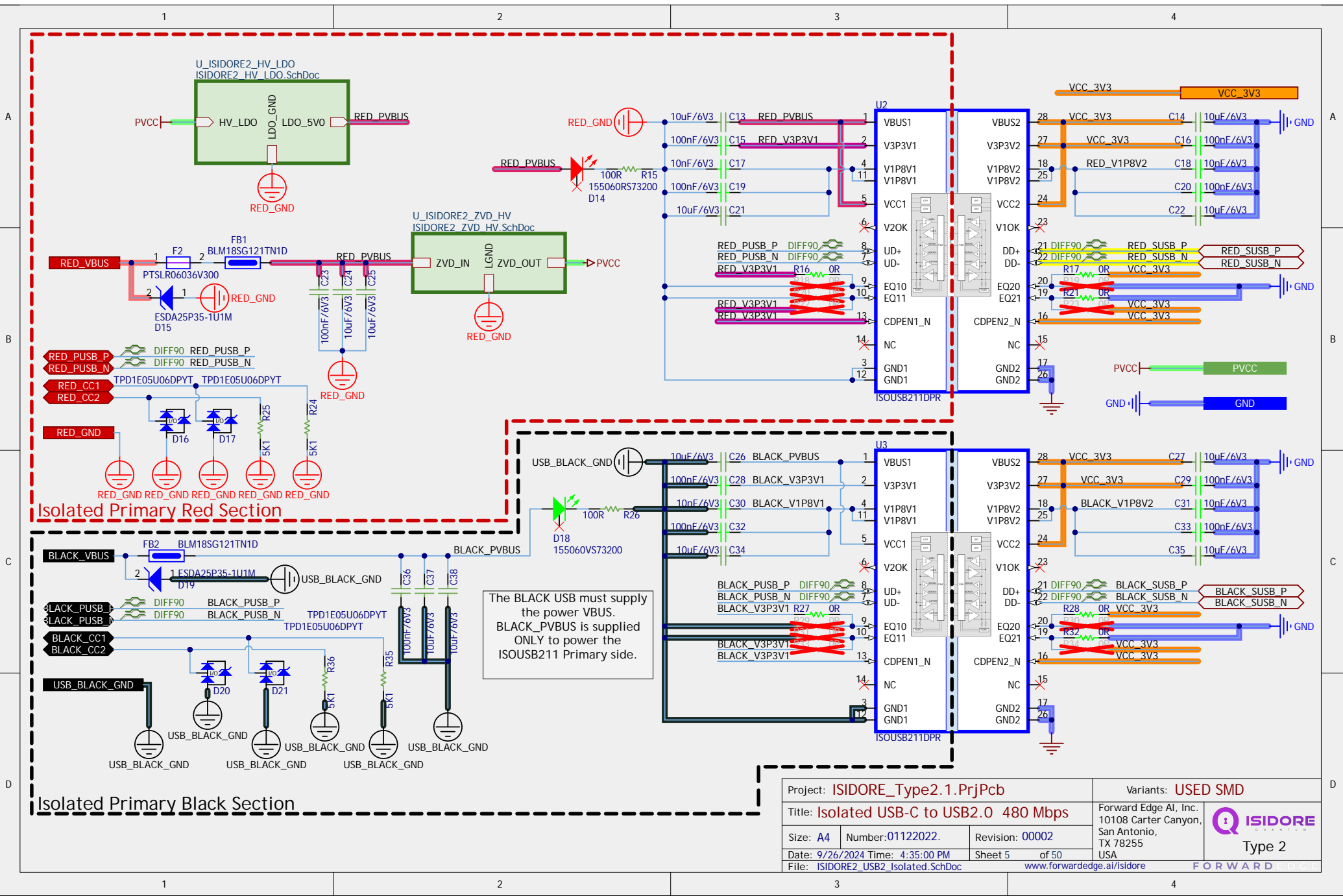


Project: ISIDORE_Type2.1.PrjPcb		Variants: USED SMD	
Title: ISIDORE2_Zero Voltage Drop Diode		Forward Edge AI, Inc. 10108 Carter Canyon, San Antonio, TX 78255 USA	
Size: A4	Number: 01122022.	Revision: 00001	 Type 2
Date: 9/26/2024 Time: 4:34:58 PM	Sheet 3 of 50	www.forwardedge.ai/isidore	
File: ISIDORE2_ZVD_HV.SchDoc		FORWARD	




Project: ISIDORE_Type2.1.PrjPcb		Variants: USED SMD	
Title: ISIDORE2_Zero Voltage Drop Diode		Forward Edge AI, Inc. 10108 Carter Canyon, San Antonio, TX 78255 USA	
Size: A4	Number: 01122022.2	Revision: 00001	 Type 2
Date: 9/26/2024 Time: 4:34:58 PM	Sheet 3.1 of 50	File: ISIDORE2_ZVD_HV.SchDoc	
		www.forwardedge.ai/isidore	





The BLACK USB must supply the power VBUS. BLACK_PVBUS is supplied ONLY to power the ISOUSB211 Primary side.

Project: ISIDORE_Type2.1.PrjPcb		Variants: USED SMD	
Title: Isolated USB-C to USB2.0 480 Mbps		Forward Edge AI, Inc. 10108 Carter Canyon, San Antonio, TX 78255 USA	
Size: A4	Number: 01122022.	Revision: 00002	 Type 2
Date: 9/26/2024 Time: 4:35:00 PM	File: ISIDORE2_USB2_Isolated.SchDoc	Sheet 5 of 50	
		www.forwardedge.ai/isidore	

1

2

3

4

A

A

B

B

C

C

D

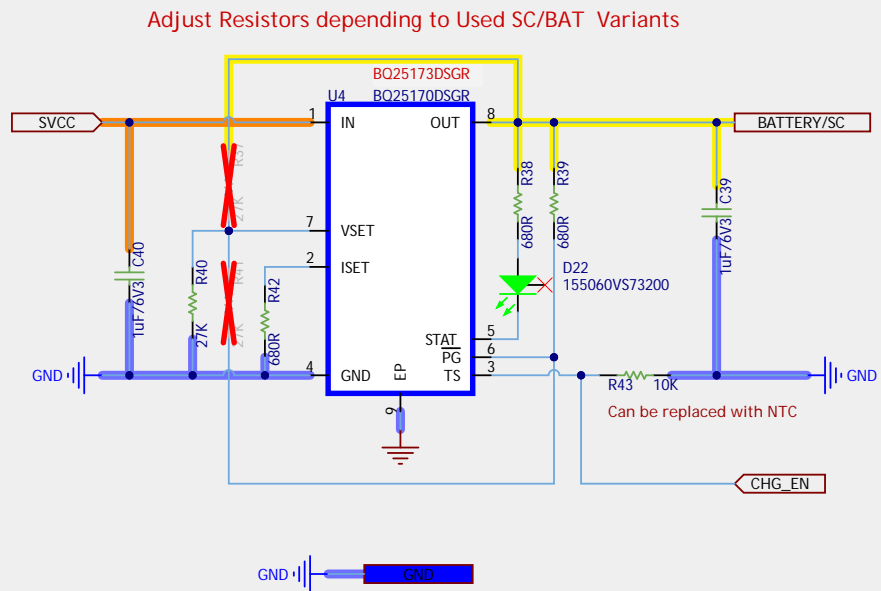
D

1

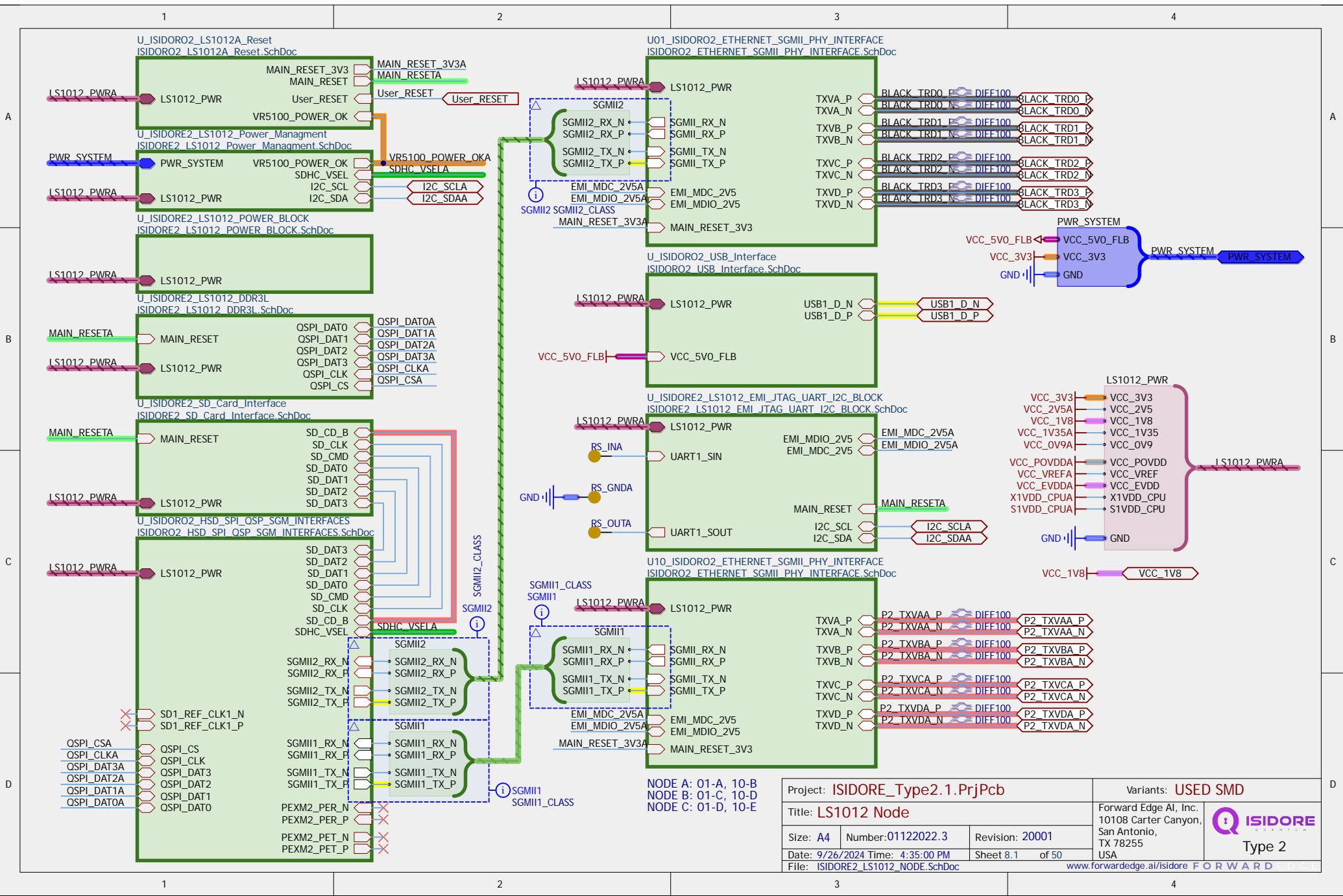
2

3

4

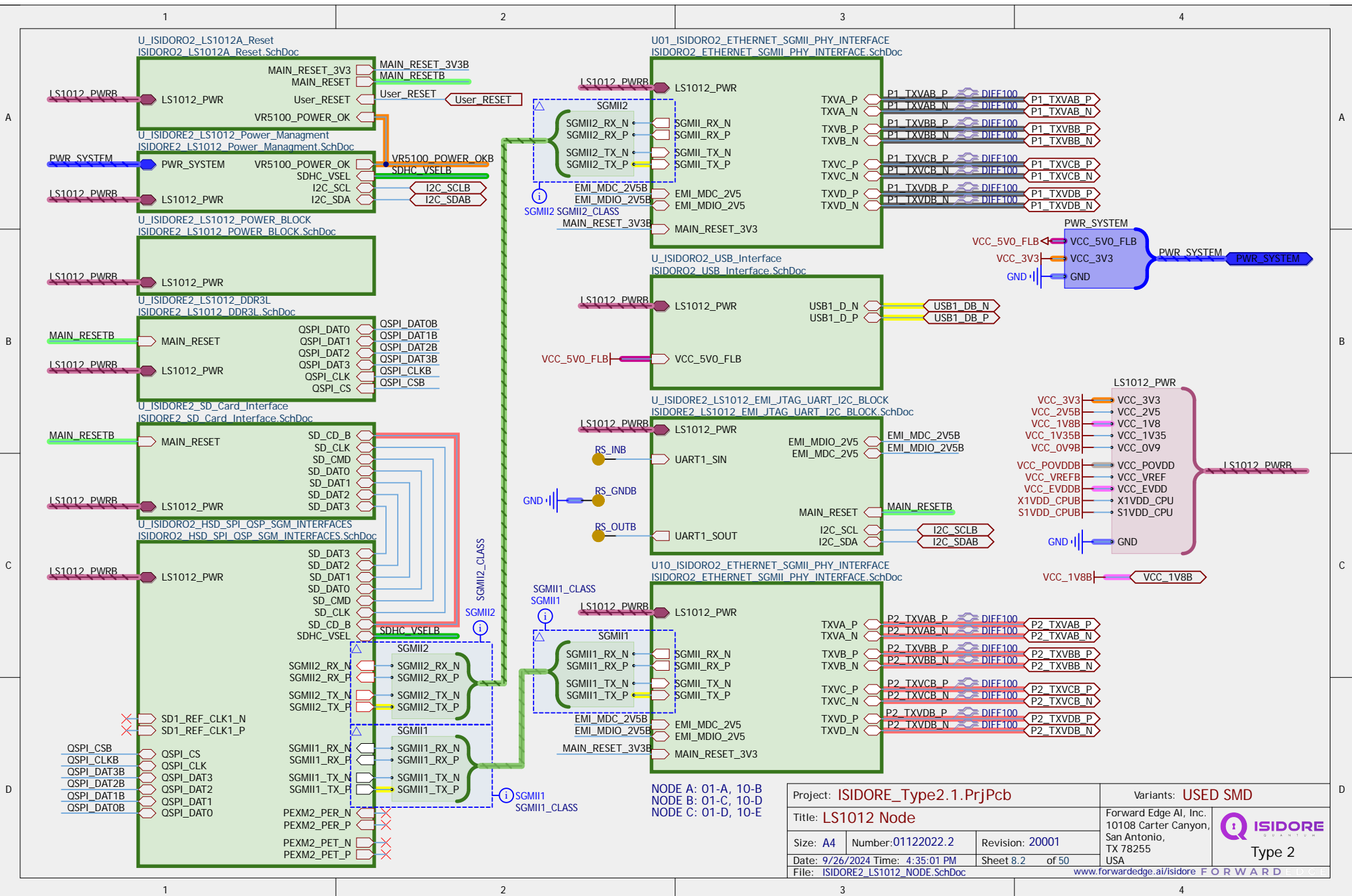


Project: ISIDORE_Type2.1.PrjPcb		Variants: USED SMD	
Title: Universal Charger LP/Li/LF/SC		Forward Edge AI, Inc. 10108 Carter Canyon, San Antonio, TX 78255 USA	
Size: A4	Number: 01122022	Revision: 00001	 Type 2
Date: 9/26/2024 Time: 4:35:00 PM	Sheet 7	of 50	
File: ISIDORE2_UNI_Charger.SchDoc		www.forwardedge.ai/isidore	

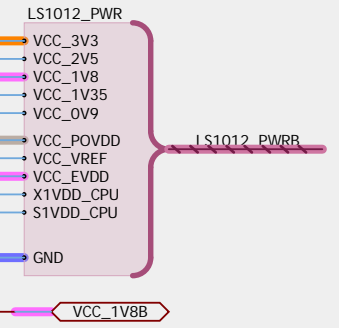


Project: ISIDORE_Type2.1.PrjPcb		Variants: USED SMD	
Title: LS1012 Node			
Size: A4	Number: 01122022.3	Revision: 20001	Forward Edge AI, Inc. 10108 Carter Canyon, San Antonio, TX 78255 USA
Date: 9/26/2024	Time: 4:35:00 PM	Sheet 8.1 of 50	
File: ISIDORE2_LS1012_NODE.SchDoc			

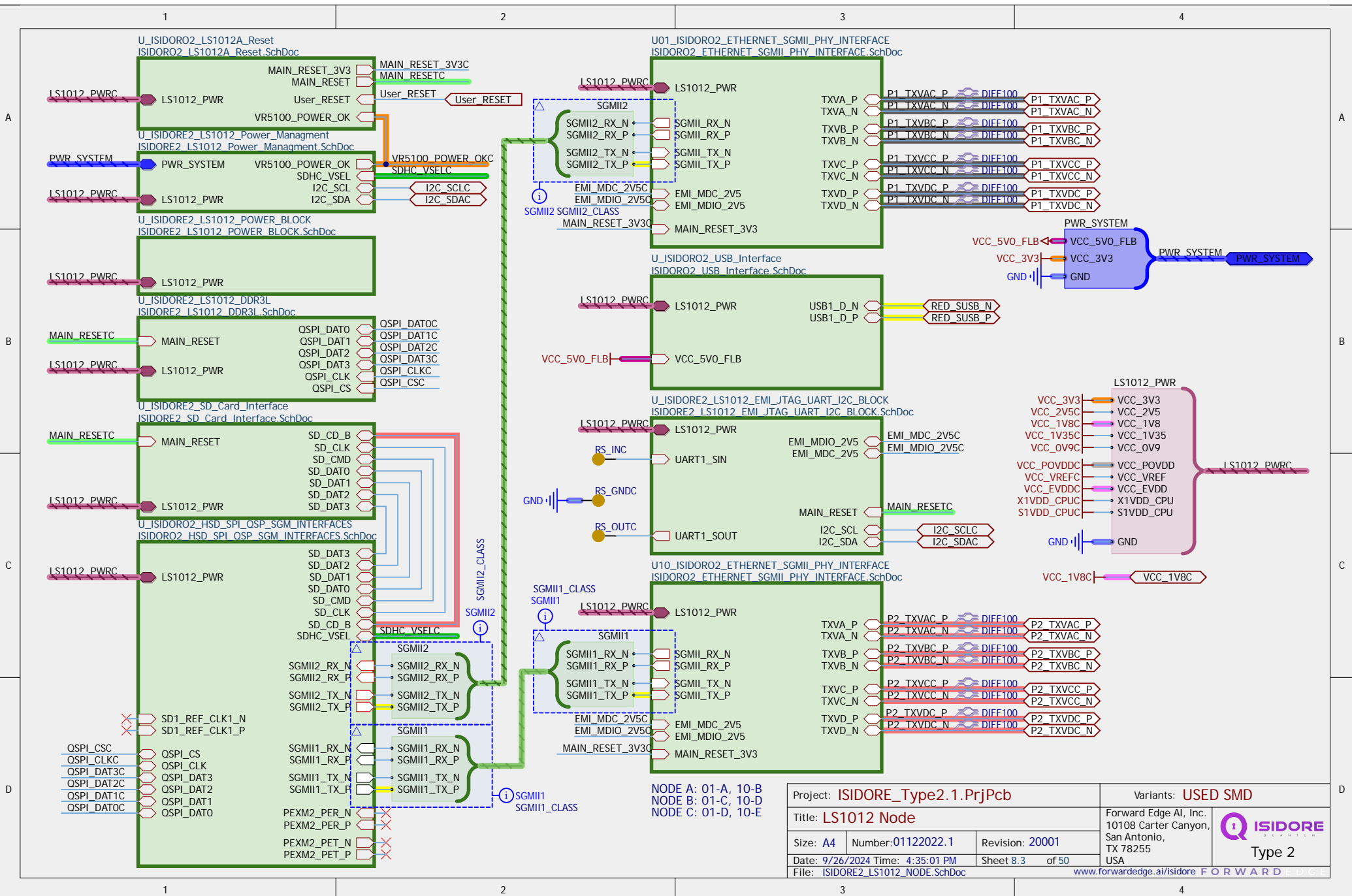




Project: ISIDORE_Type2.1.PrjPcb		Variants: USED SMD	
Title: LS1012 Node			
Size: A4	Number: 01122022.2	Revision: 20001	
Date: 9/26/2024 Time: 4:35:01 PM	Sheet 8.2 of 50		
File: ISIDORE2_LS1012_NODE.SchDoc	www.forwardedge.ai/isidore F O R W A R D		



NODE A: 01-A, 10-B
 NODE B: 01-C, 10-D
 NODE C: 01-D, 10-E

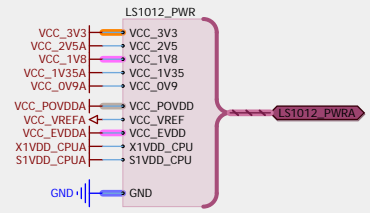
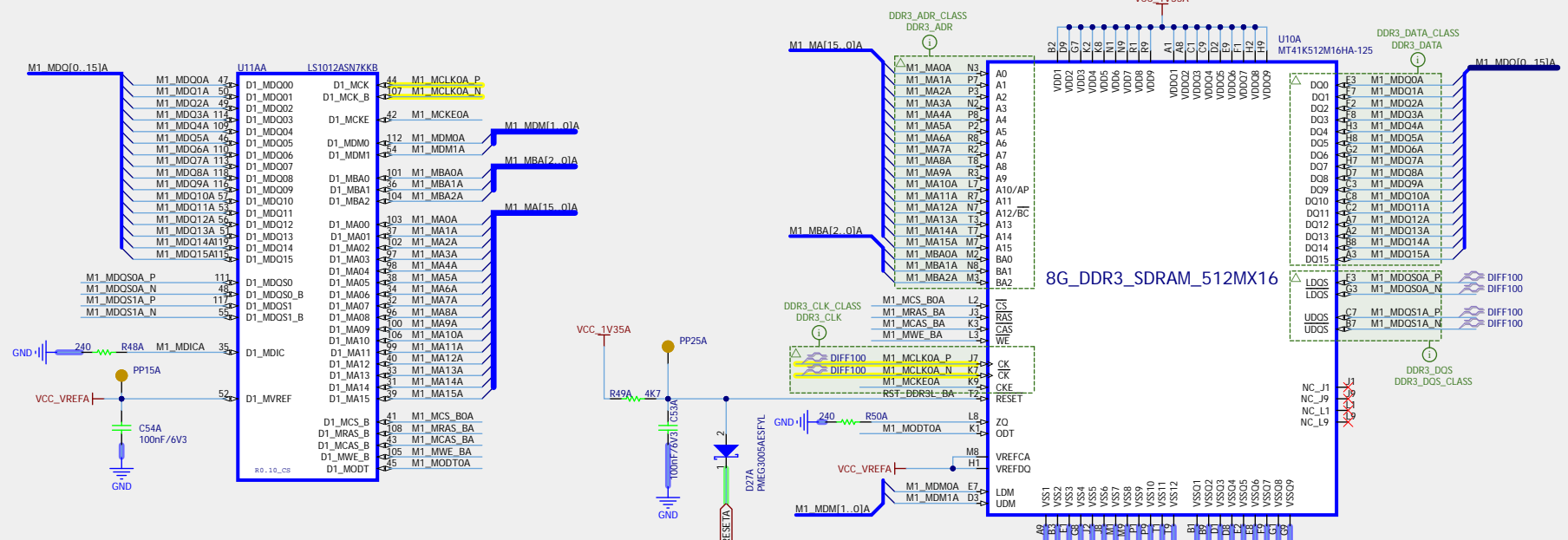


Project: ISIDORE_Type2.1.PrjPcb		Variants: USED SMD	
Title: LS1012 Node			
Size: A4	Number: 01122022.1	Revision: 20001	
Date: 9/26/2024 Time: 4:35:01 PM	Sheet 8.3 of 50		
File: ISIDORE2_LS1012_NODE.SchDoc	www.forwardedge.ai/isidore F O R W A R D		

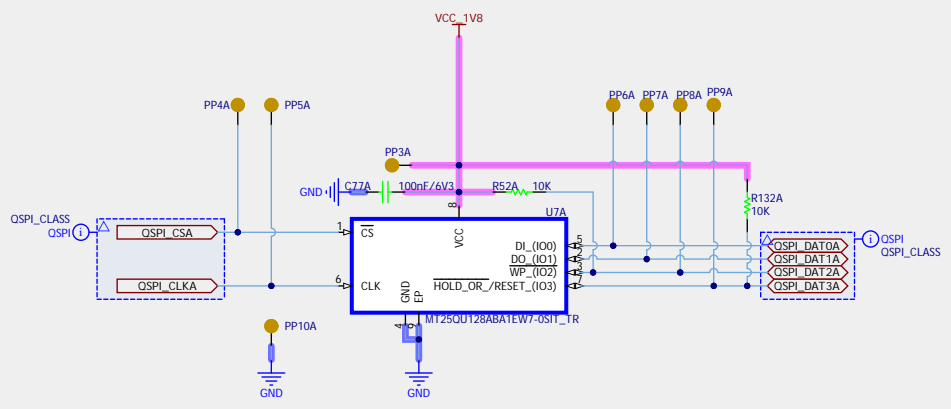
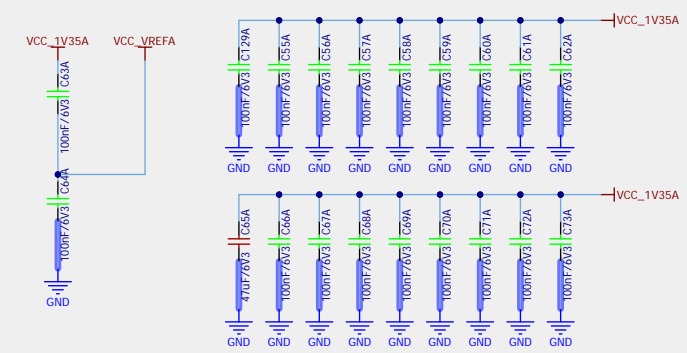
- LS1012_PWR
- VCC_3V3
 - VCC_2V5C
 - VCC_1V8C
 - VCC_1V35C
 - VCC_OV9C
 - VCC_POVDDC
 - VCC_VREFC
 - VCC_EVDDC
 - X1VDD_CPU
 - S1VDD_CPU
 - GND
 - VCC_1V8C

NODE A: 01-A, 10-B
 NODE B: 01-C, 10-D
 NODE C: 01-D, 10-E

SDRAM - DDR3L Memory IC 8Gbit Parallel 800 MHz 13.75 ns 96-FBGA (9x14)

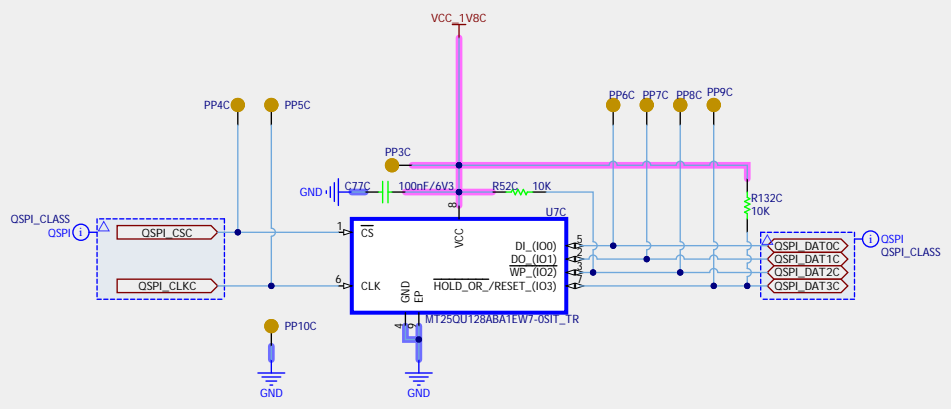
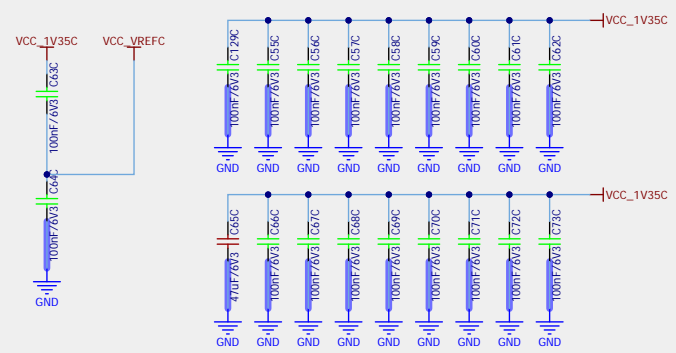
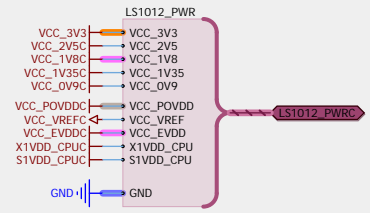
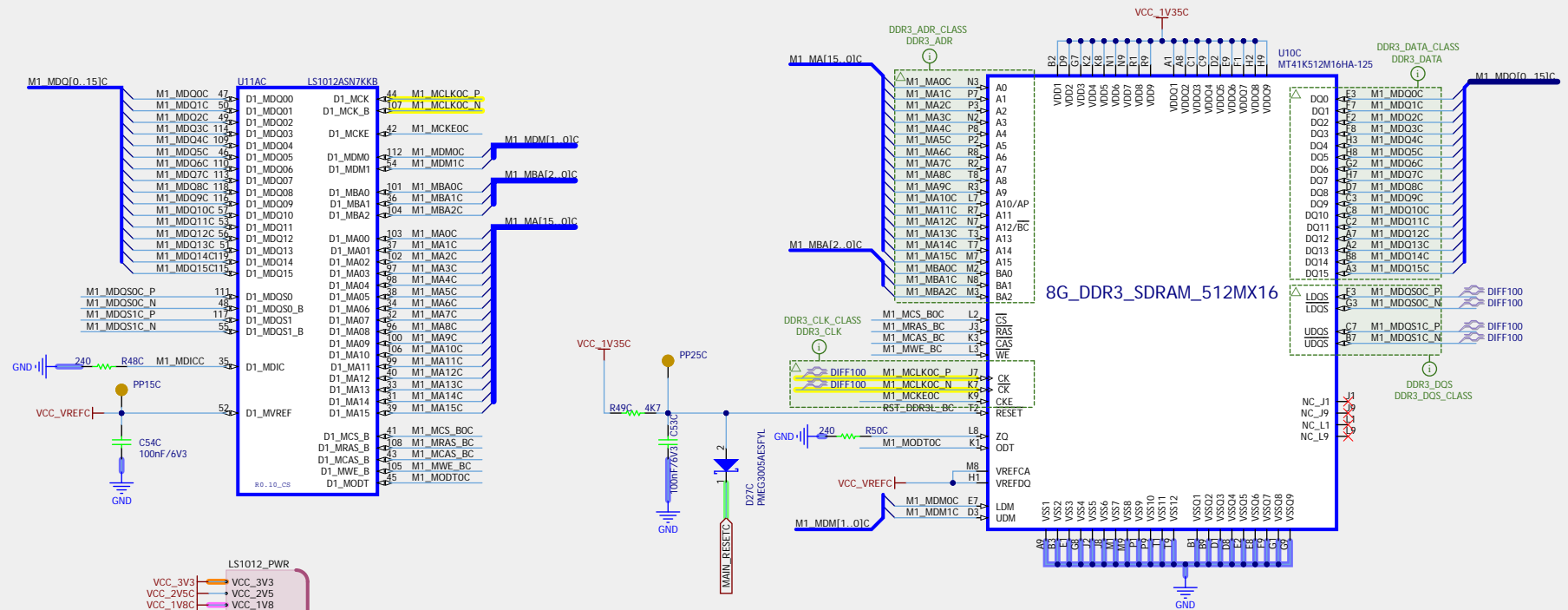


Decoupling for DDR3L memory.

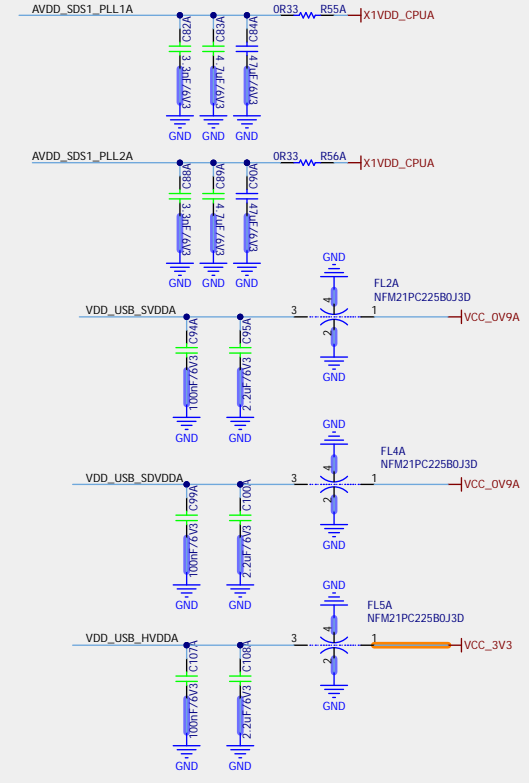
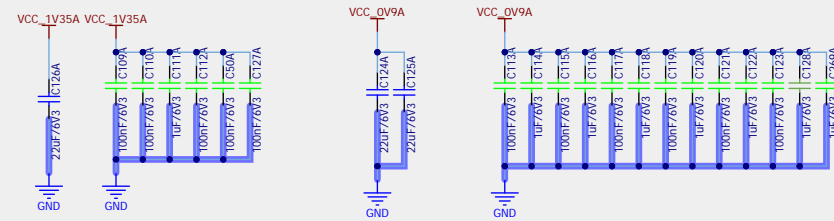
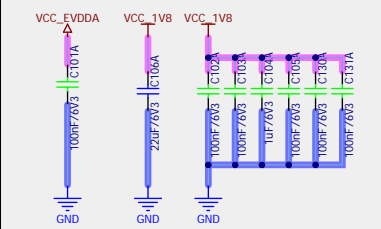
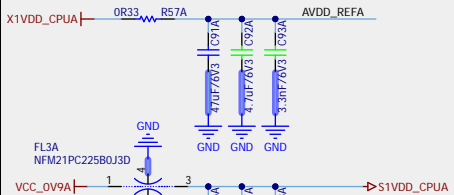
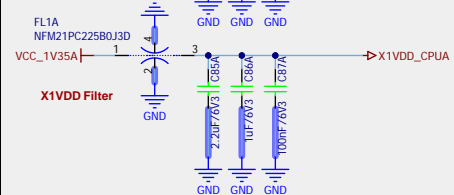
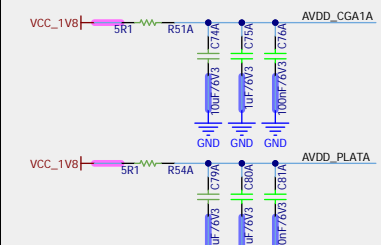
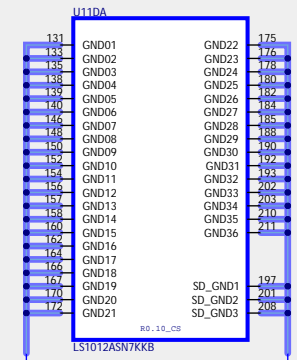
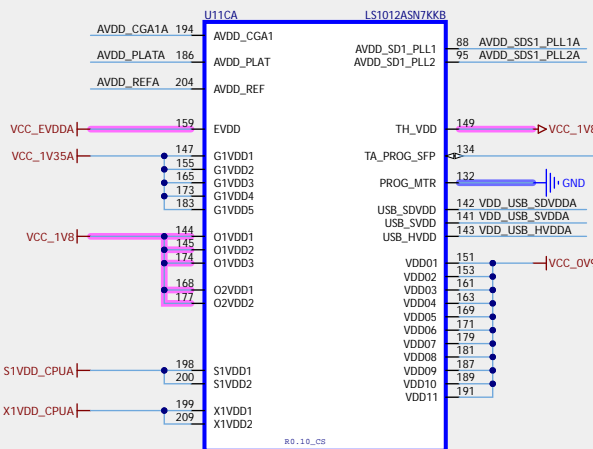
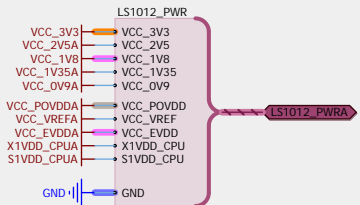


Project: ISIDORE_Type2.1.PrcPcb			Variants: USED SMD	
Title: LS1012 DDR3L CONTROLLER BLOCK			Forward Edge AI, Inc. 10108 Carter Canyon, San Antonio, TX 78255 USA	
Size: A3	Number: 01122022.3.1	Revision: 20001	 Type 1	
Date: 9/26/2024 Time: 4:35:01 PM	Sheet 9.1.1 of 50			
File: ISIDORE2_LS1012_DDR3L_SchDoc				

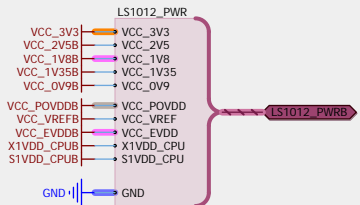
SDRAM - DDR3L Memory IC 8Gbit Parallel 800 MHz 13.75 ns 96-FBGA (9x14)



Project: ISIDORE_Type2.1.PrfPcb			Variants: USED SMD	
Title: LS1012 DDR3L CONTROLLER BLOCK			Forward Edge AI, Inc. 10108 Carter Canyon, San Antonio, TX 78255 USA	
Size: A3	Number: 01122022.1.1	Revision: 20001	 Type 1	
Date: 9/26/2024 Time: 4:35:02 PM	Sheet 9.3.1 of 50			
File: ISIDORE2_LS1012_DDR3L_SchDoc				



Project: ISIDORE_Type2.1.PrfPcb			Variants: USED SMD
Title: LS1012 POWER BLOCK			Forward Edge AI, Inc. 10108 Carter Canyon, San Antonio, TX 78255 USA
Size: A3	Number: 01122022.3.1	Revision: 20001	ISIDORE Type 2
Date: 9/26/2024 Time: 4:35:03 PM	Sheet 10.1.1 of 50		
File: ISIDORE2_LS1012_POWER_BLOCK.SchDoc			www.forwardedge.ai/isidore FORWARD

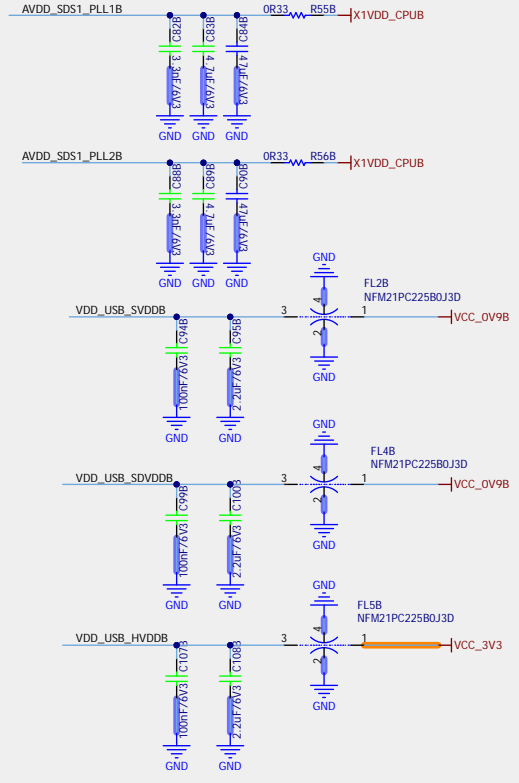
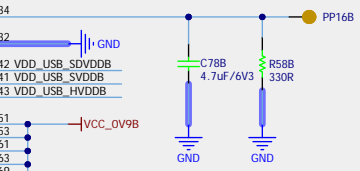
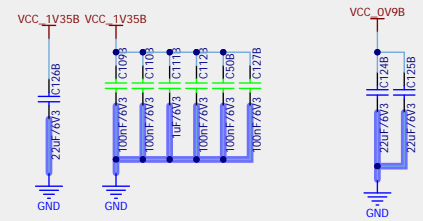
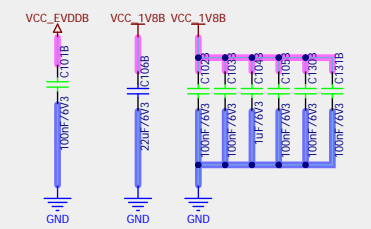
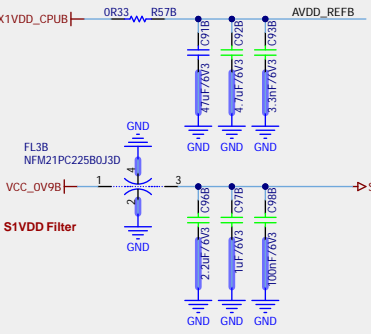
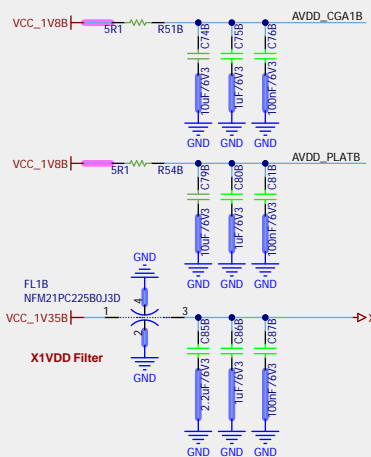
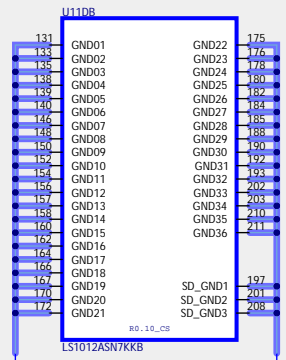
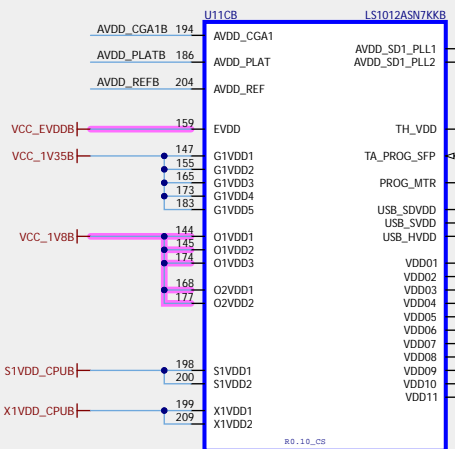


A

B

C

D



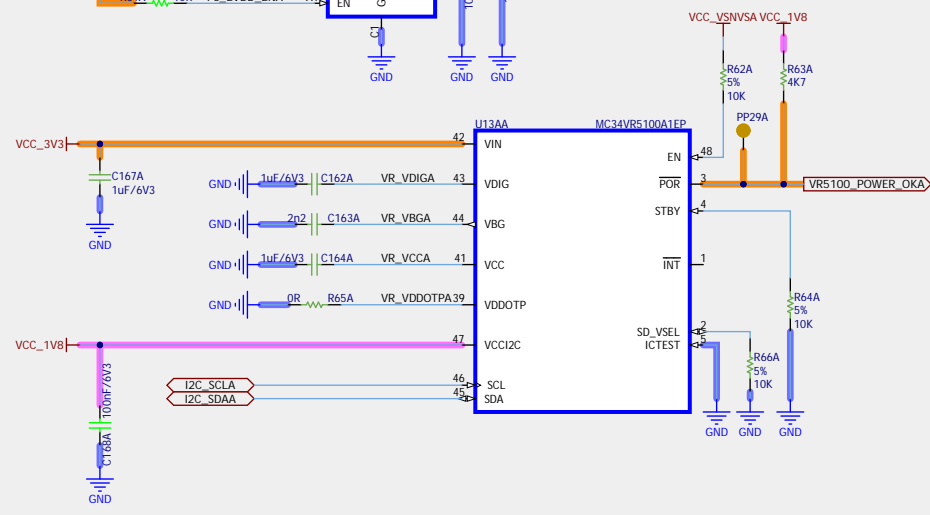
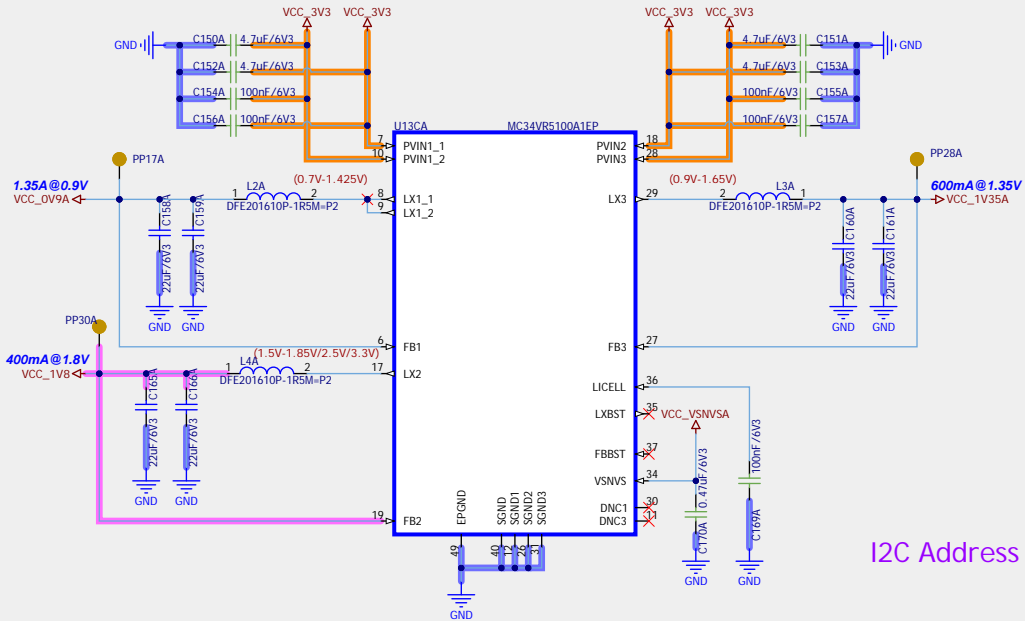
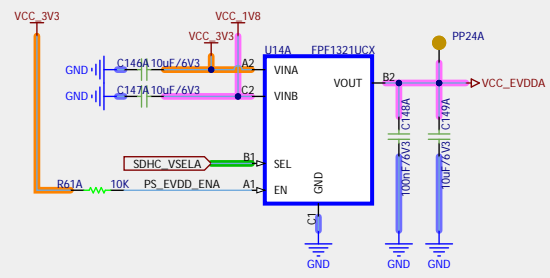
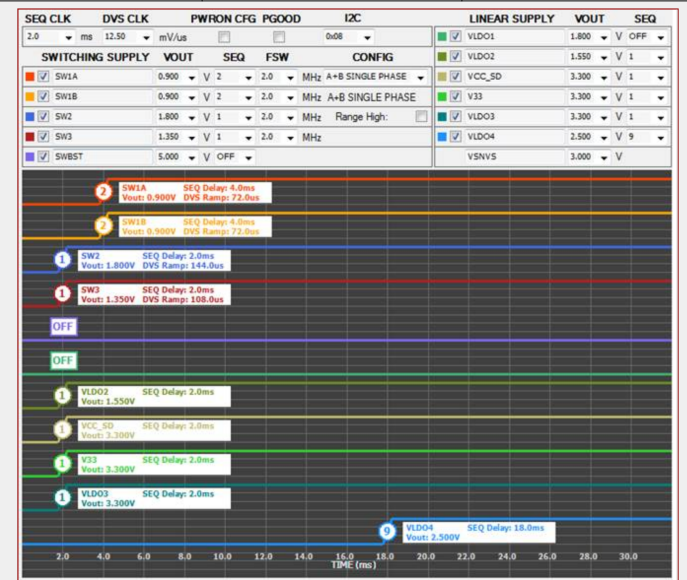
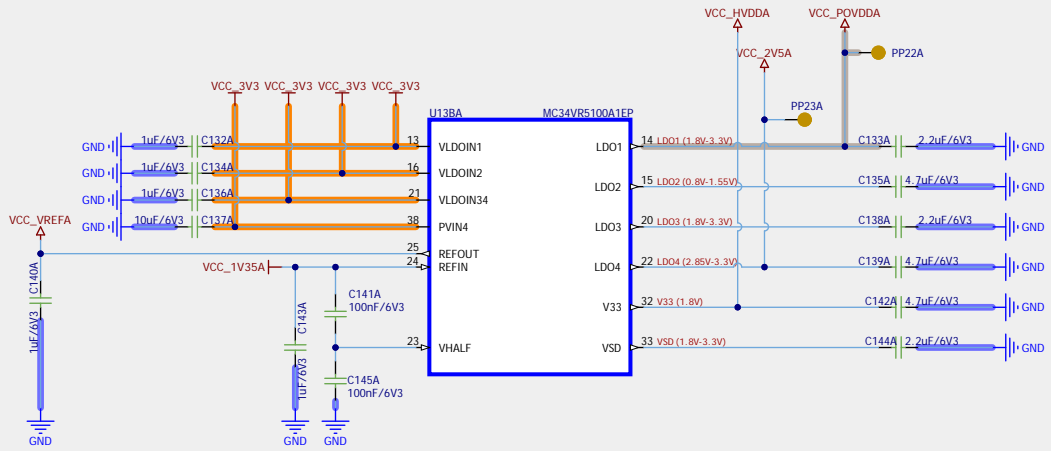
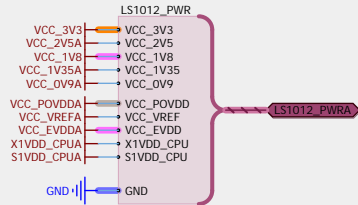
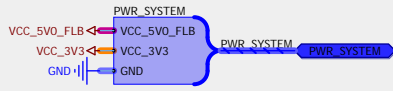
Project: ISIDORE_Type2.1.PrfPcb			Variants: USED SMD	
Title: LS1012 POWER BLOCK			Forward Edge AI, Inc. 10108 Carter Canyon, San Antonio, TX 78255 USA	
Size: A3	Number: 01122022.2.1	Revision: 20001	www.forwardedge.ai/isidore	
Date: 9/26/2024 Time: 4:35:03 PM	Sheet 10.2.1 of 50			
File: ISIDORE2_LS1012_POWER_BLOCK.SchDoc			FORWARD	

A

B

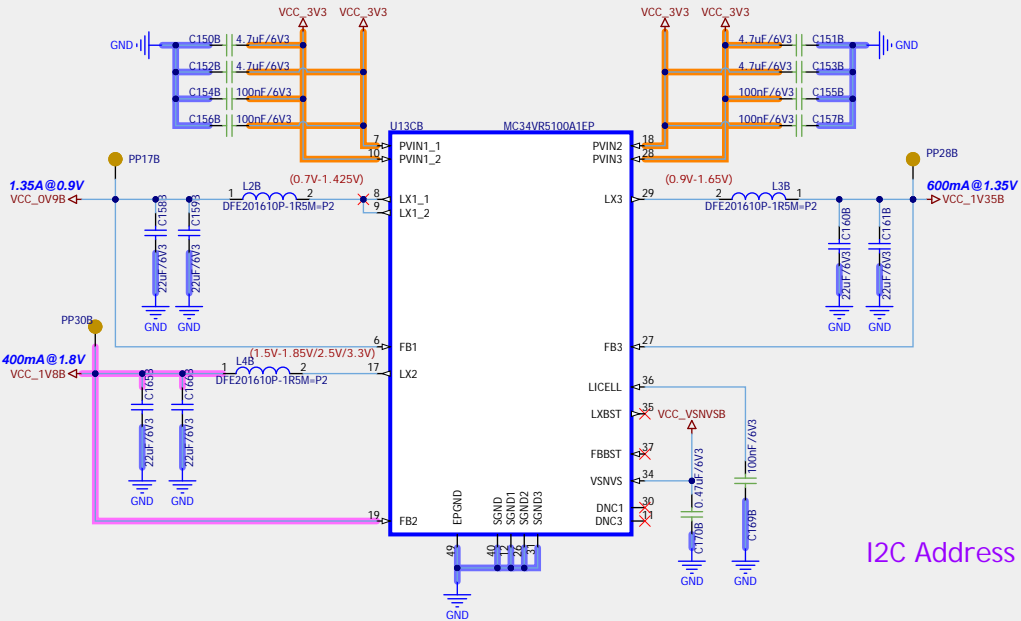
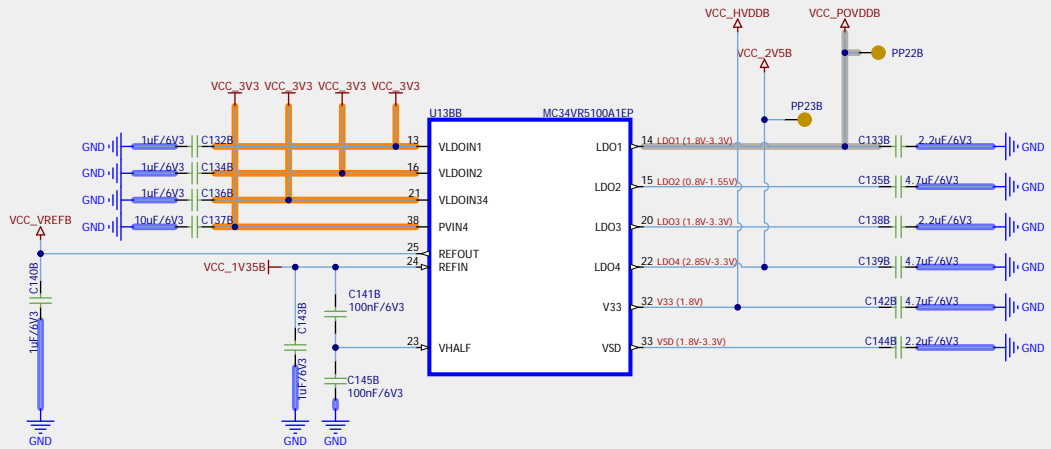
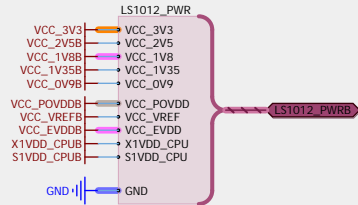
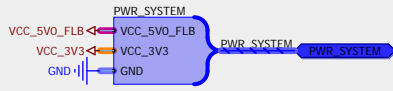
C

D

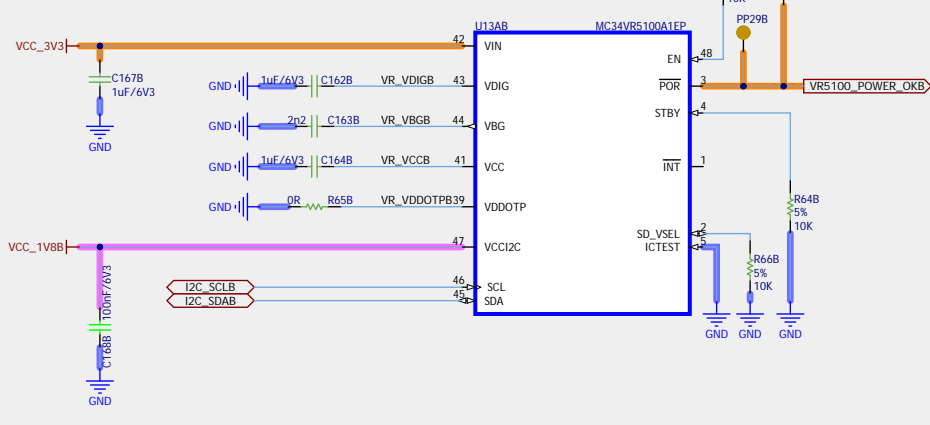
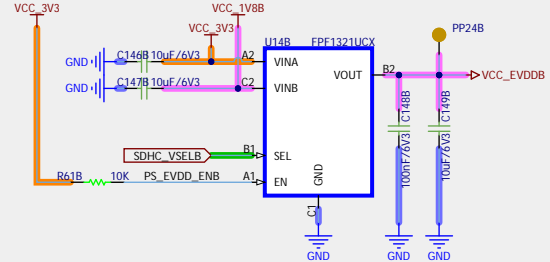
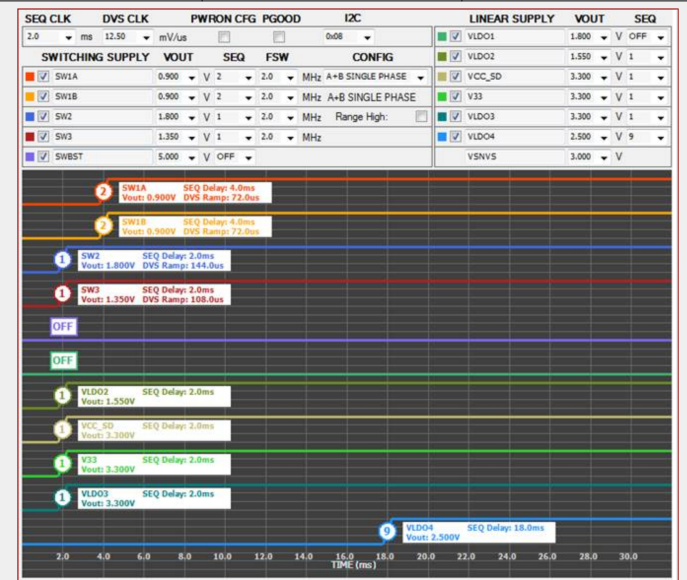


I2C Address 0x08

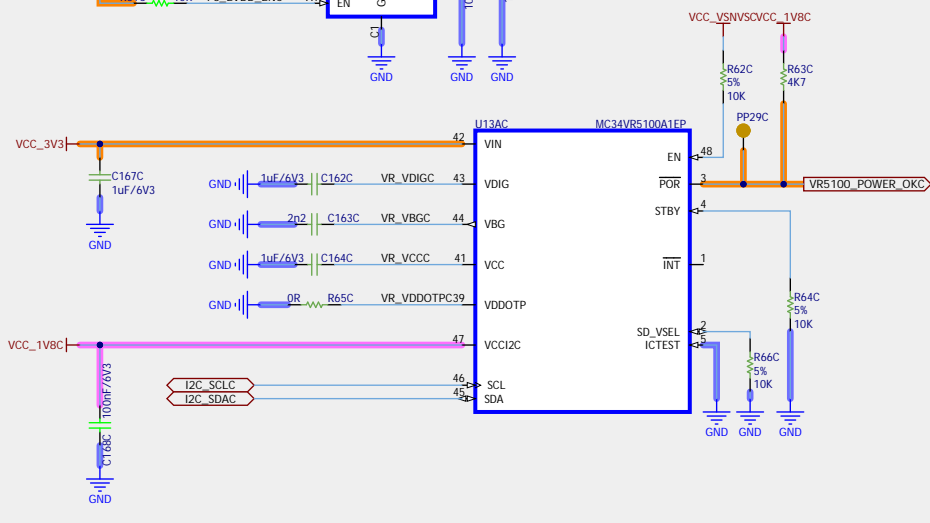
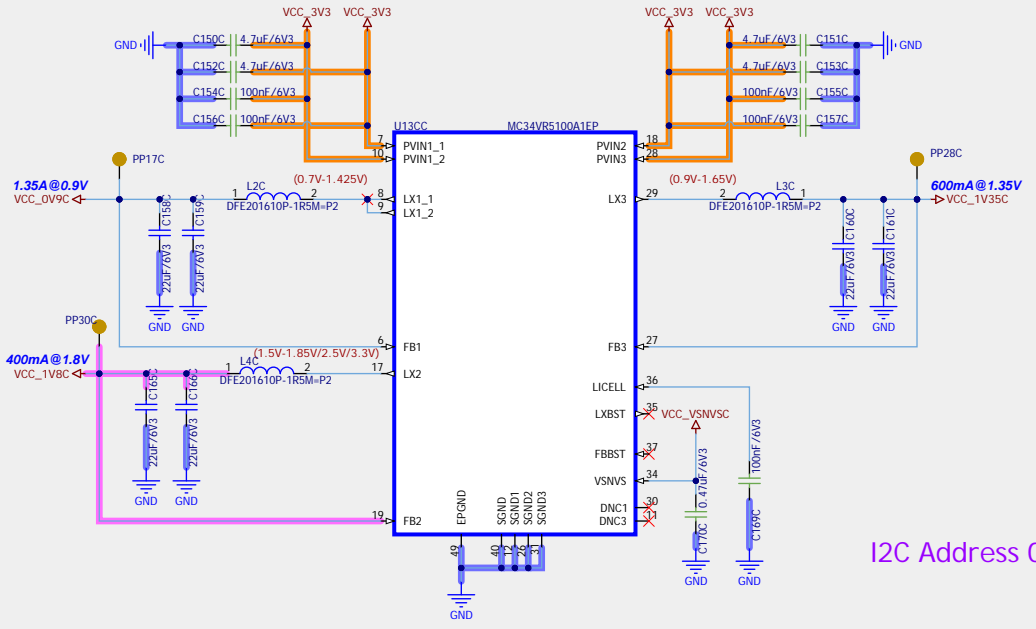
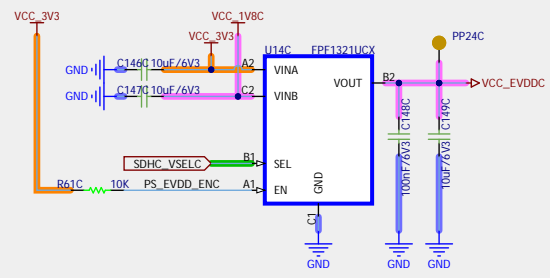
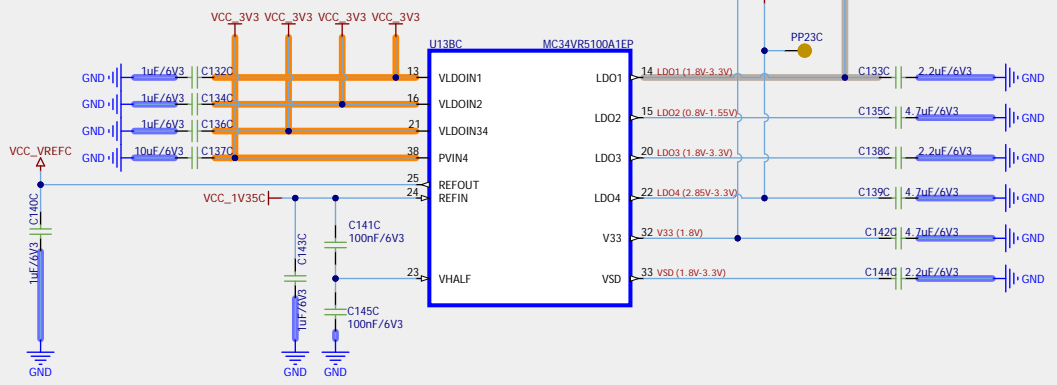
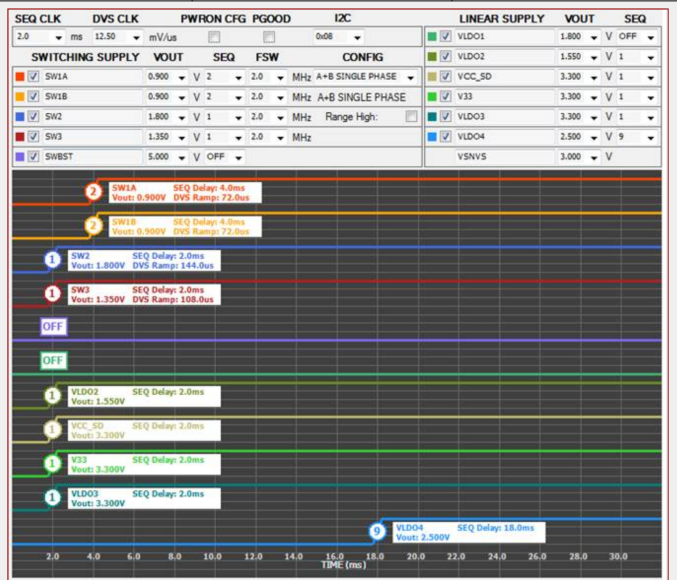
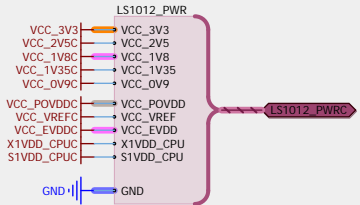
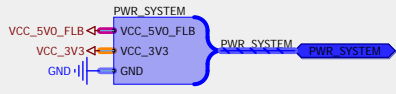
Project: ISIDORE_Type2.1.PrcPcb			Variants: USED SMD	
Title: LS1012 Power Management			Forward Edge AI, Inc. 10108 Carter Canyon, San Antonio, TX 78255 USA	
Size: A3	Number: 01122022.3.1	Revision: 20001	ISIDORE Type 2	
Date: 9/26/2024 Time: 4:35:04 PM	Sheet 11.1.1.1 of 50		www.forwardedge.ai/isidore FORWARD	
File: ISIDORE2_LS1012_Power_Management_SchDoc				



I2C Address 0x08

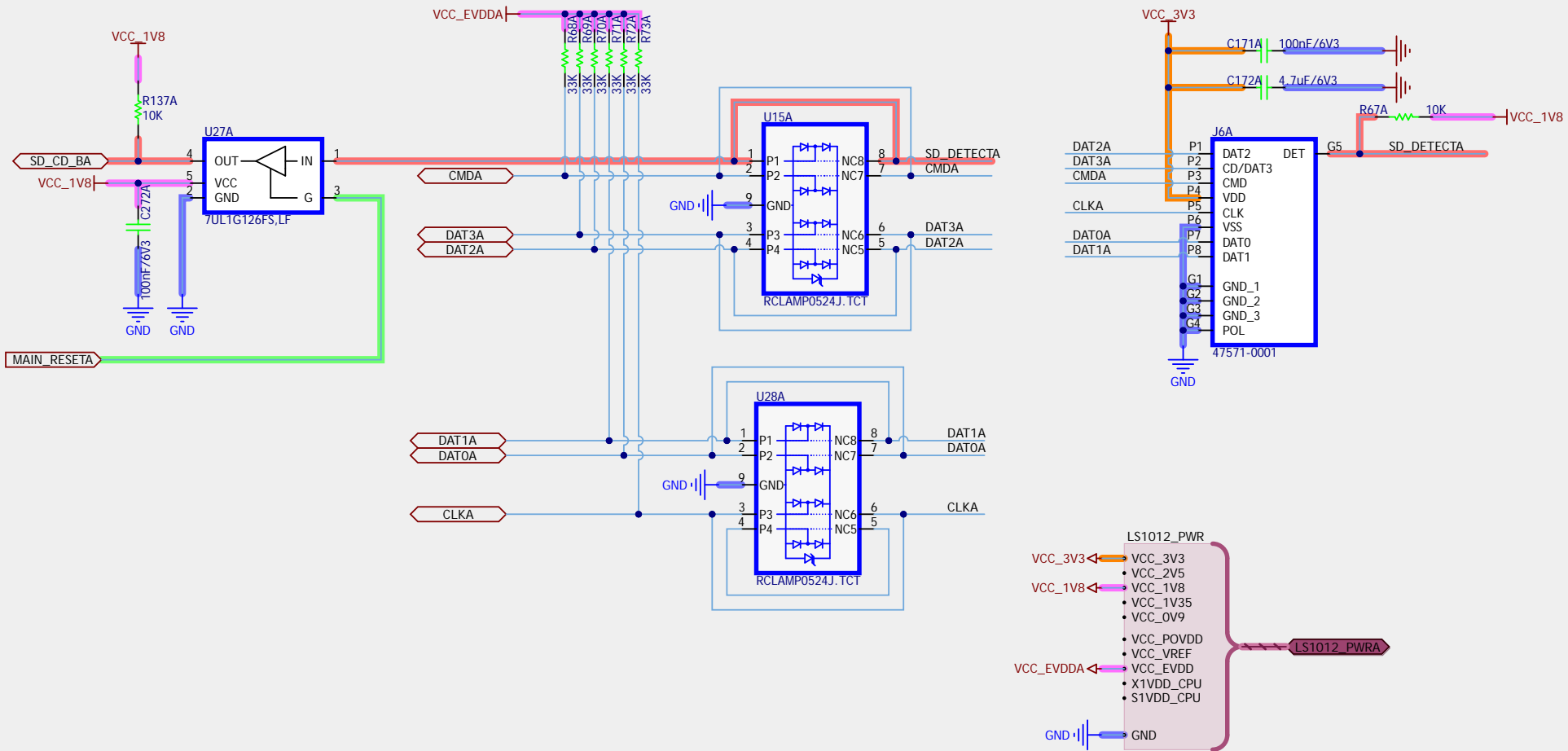



Project: ISIDORE_Type2.1.PrcPcb			Variants: USED SMD	
Title: LS1012 Power Management			Forward Edge AI, Inc. 10108 Carter Canyon, San Antonio, TX 78255 USA	
Size: A3	Number: 01122022.2.1	Revision: 20001	ISIDORE Type 2	
Date: 9/26/2024 Time: 4:35:04 PM	Sheet 11.2.1 of 50		www.forwardedge.ai/isidore FORWARD	
File: ISIDORE2_LS1012_Power_Management_SchDoc				

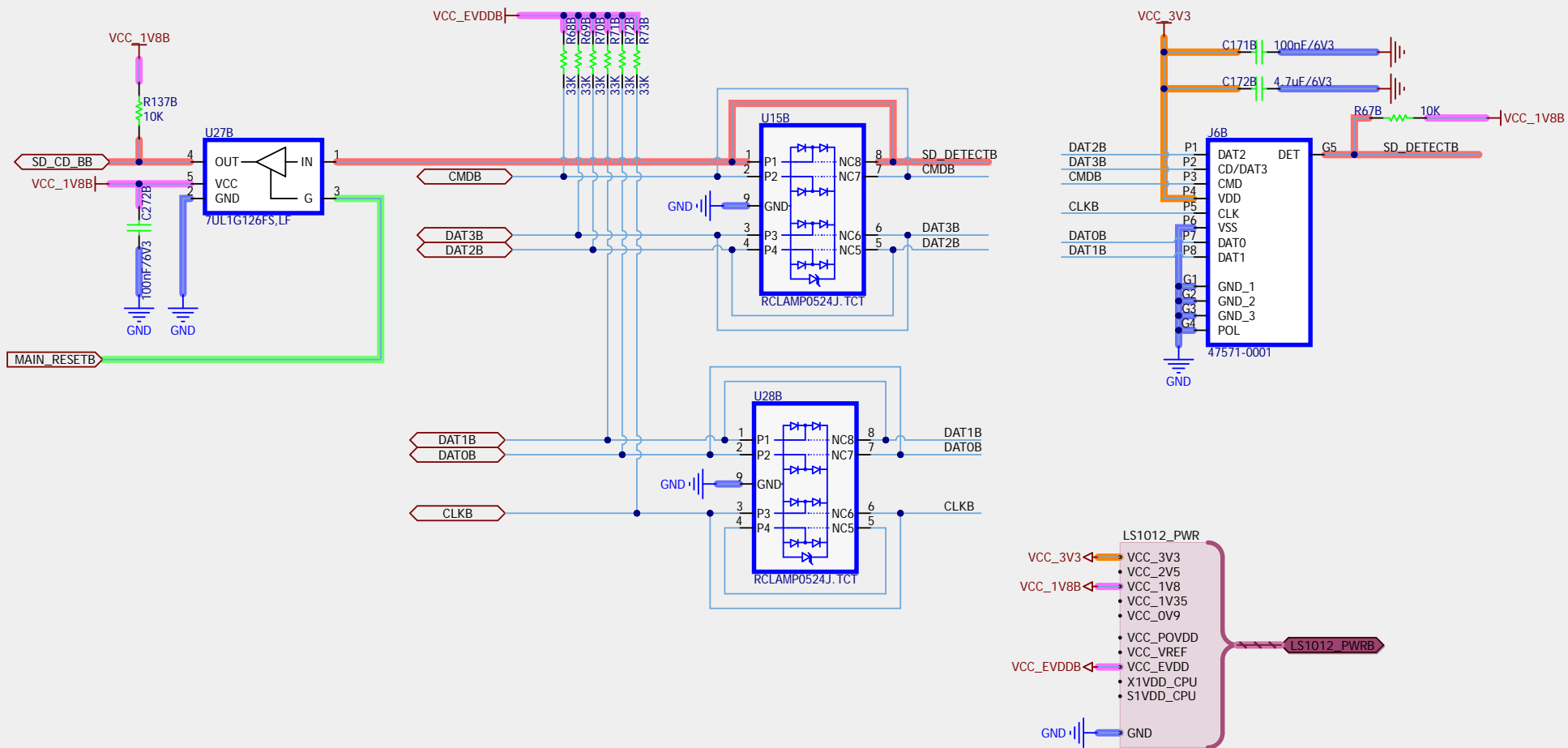



I2C Address 0x08

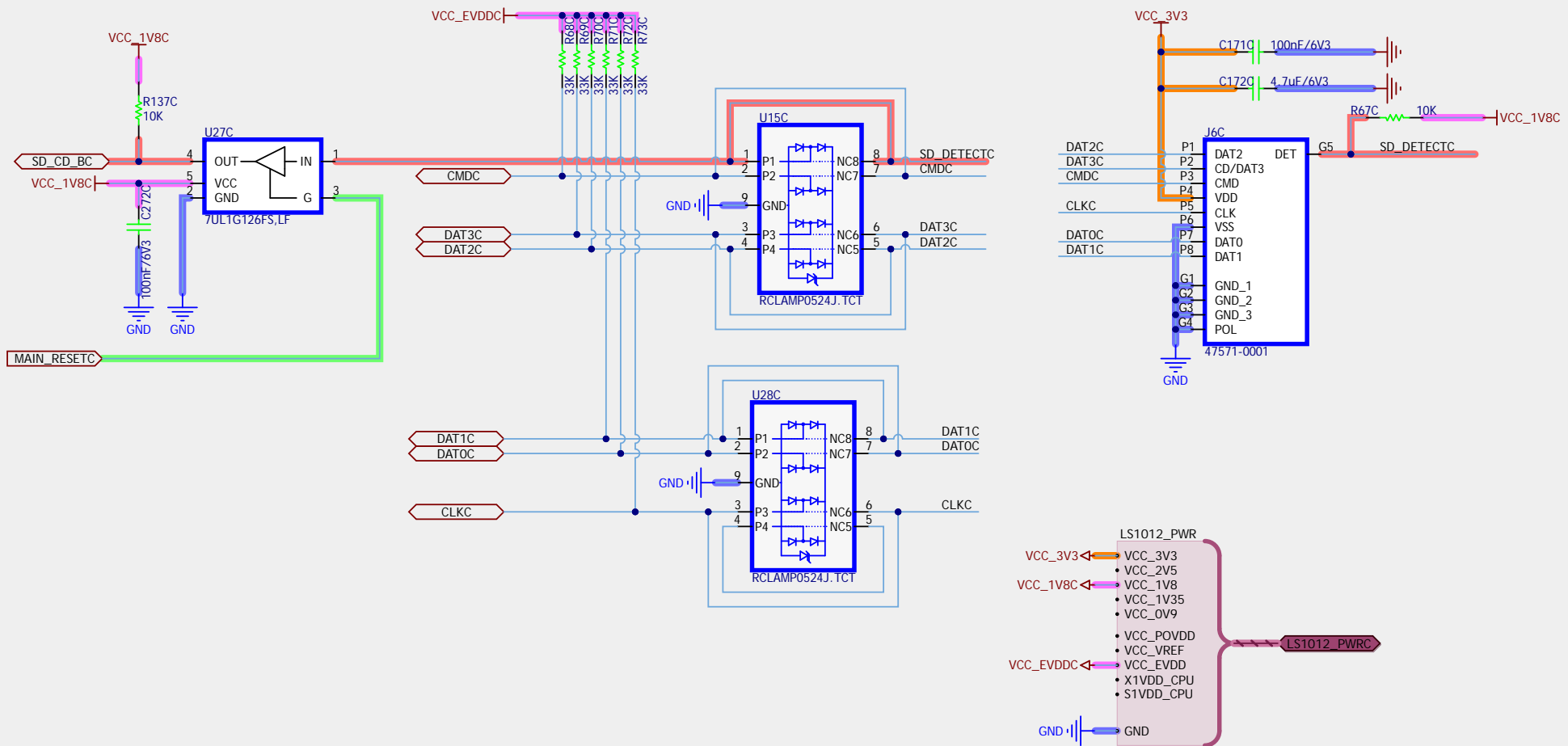
Project: ISIDORE_Type2.1.PrcPcb			Variants: USED SMD	
Title: LS1012 Power Management			Forward Edge AI, Inc. 10108 Carter Canyon, San Antonio, TX 78255 USA	
Size: A3	Number: 01122022.1.1	Revision: 20001	ISIDORE Type 2	
Date: 9/26/2024 Time: 4:35:05 PM	Sheet 11.3.1 of 50		www.forwardedge.ai/isidore FORWARD	
File: ISIDORE2_LS1012_Power_Management_SchDoc				



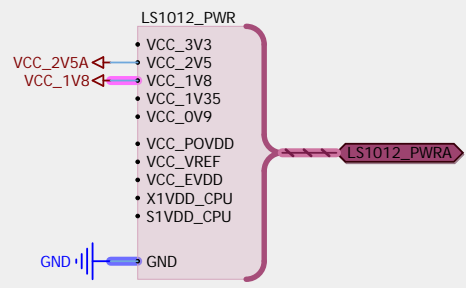
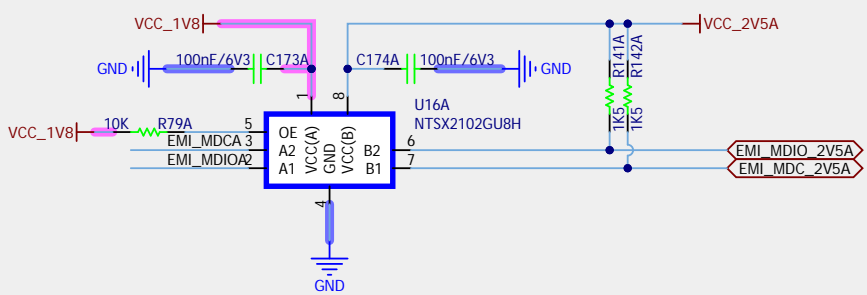
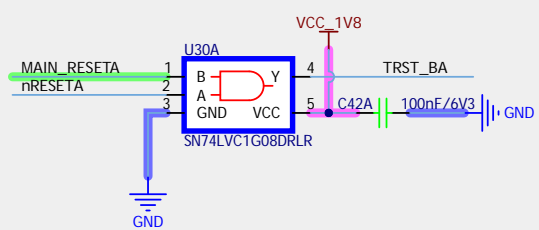
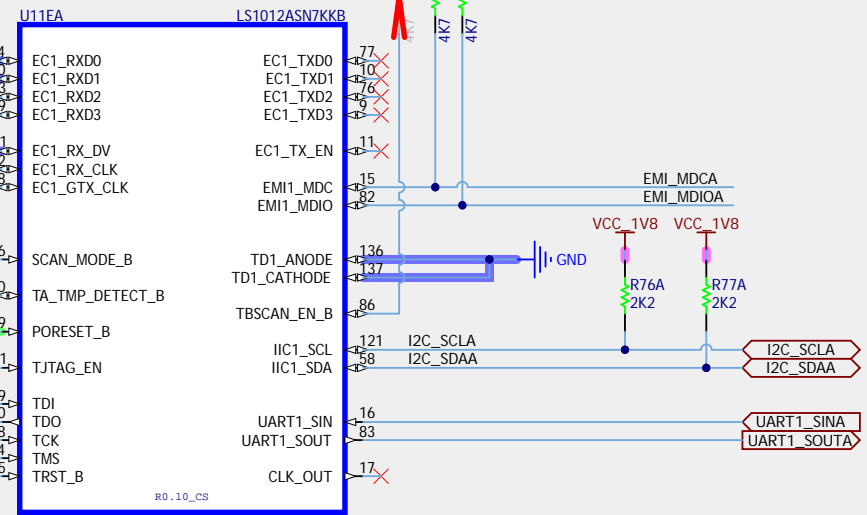
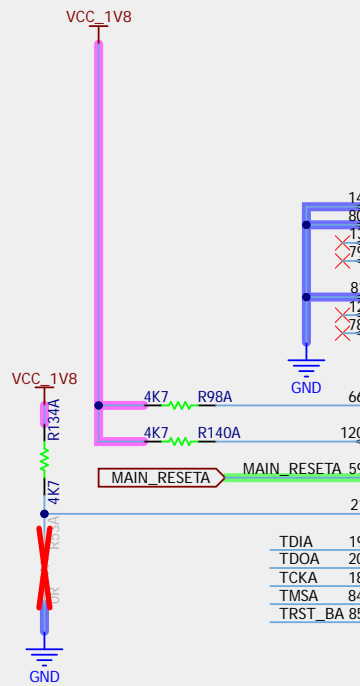
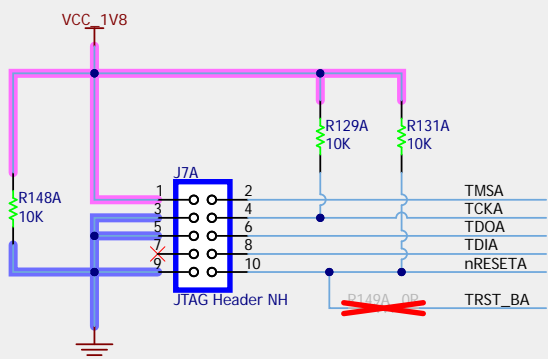
Project: ISIDORE_Type2.1.PrjPcb		Variants: USED SMD	
Title: SD Card Interface		Forward Edge AI, Inc. 10108 Carter Canyon, San Antonio, TX 78255 USA	
Size: A4	Number: 01122022.3.1	Revision: 20002	 Type 2
Date: 9/26/2024 Time: 4:35:05 PM	Sheet 12.1.1 of 50		
File: ISIDORE2_SD_Card_Interface.SchDoc		www.forwardedge.ai/isidore F O R W A R D	




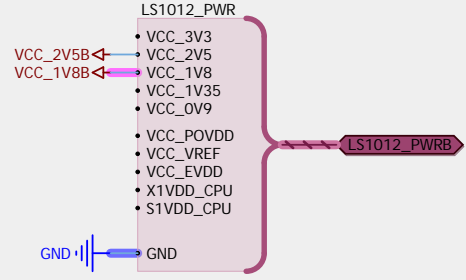
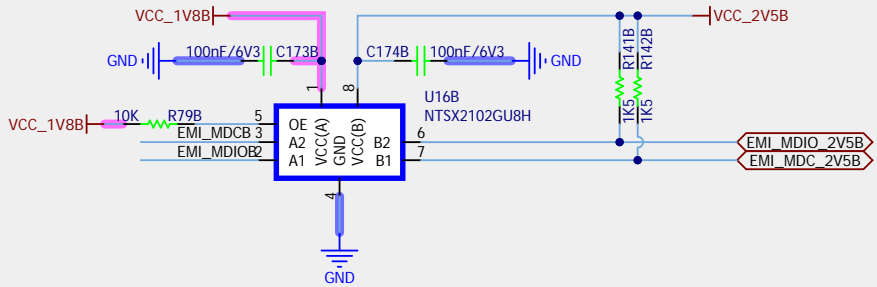
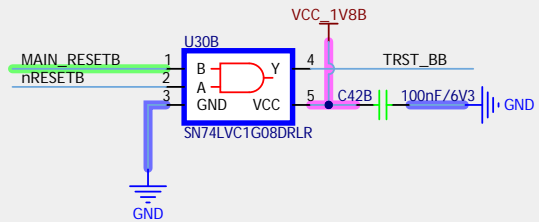
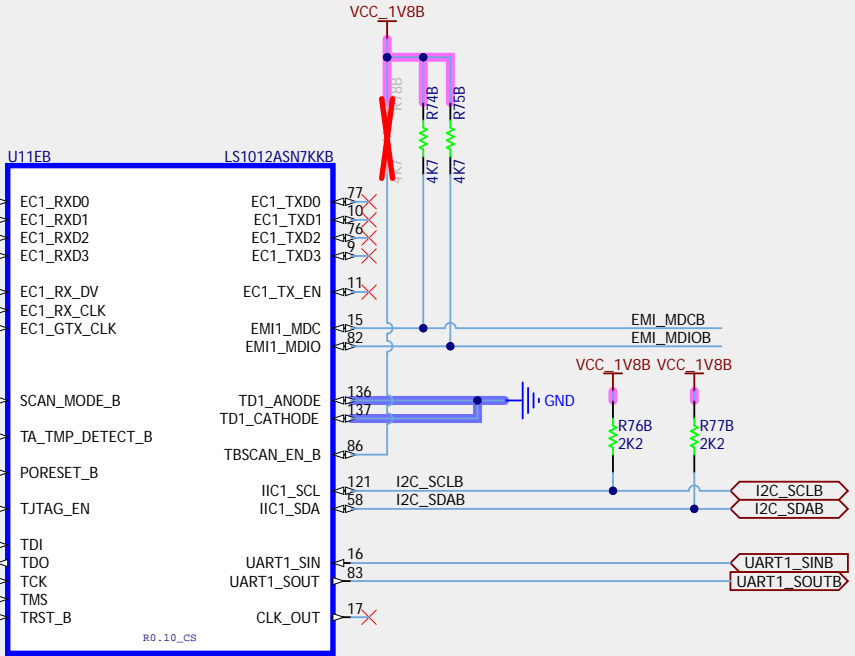
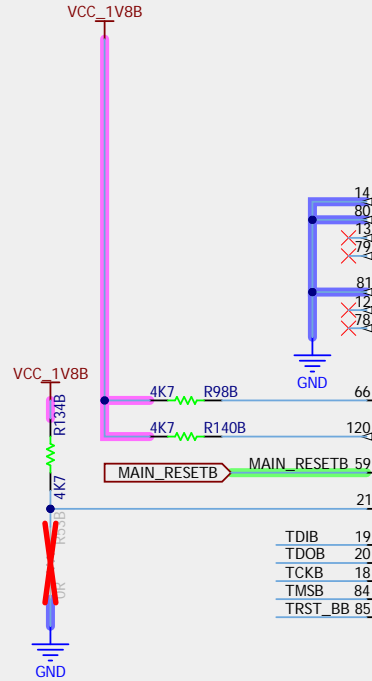
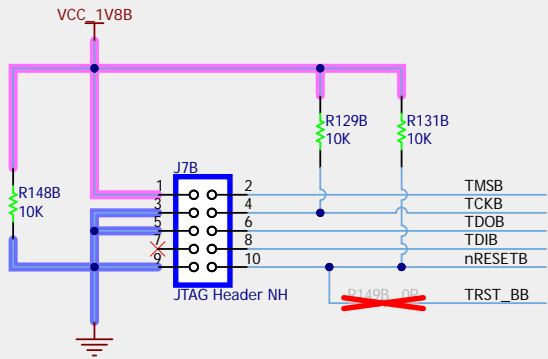
Project: ISIDORE_Type2.1.PrjPcb		Variants: USED SMD	
Title: SD Card Interface		Forward Edge AI, Inc. 10108 Carter Canyon, San Antonio, TX 78255 USA	
Size: A4	Number: 01122022.2.1	Revision: 20002	 Type 2
Date: 9/26/2024 Time: 4:35:06 PM	Sheet 12.2.1 of 50		
File: ISIDORE2_SD_Card_Interface.SchDoc		www.forwardedge.ai/isidore F O R W A R D	




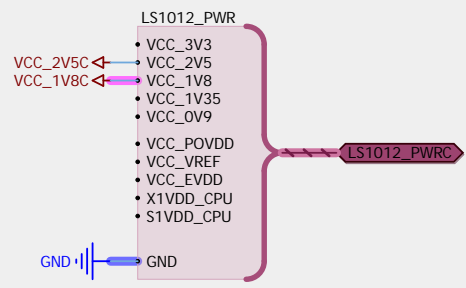
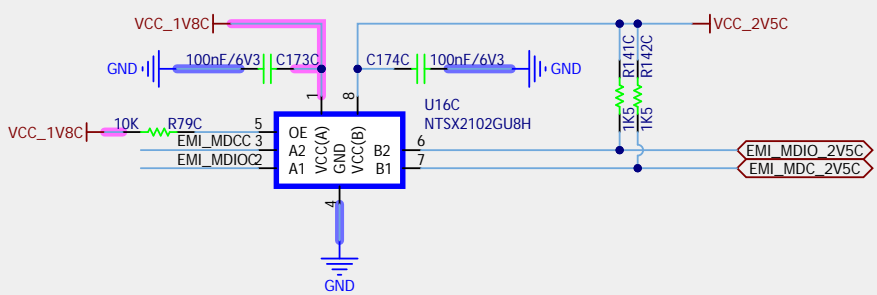
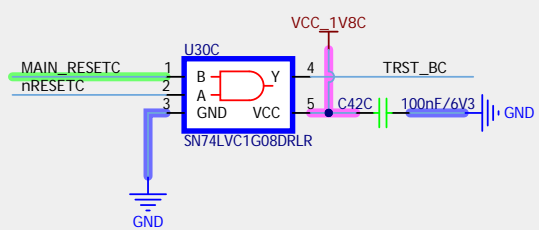
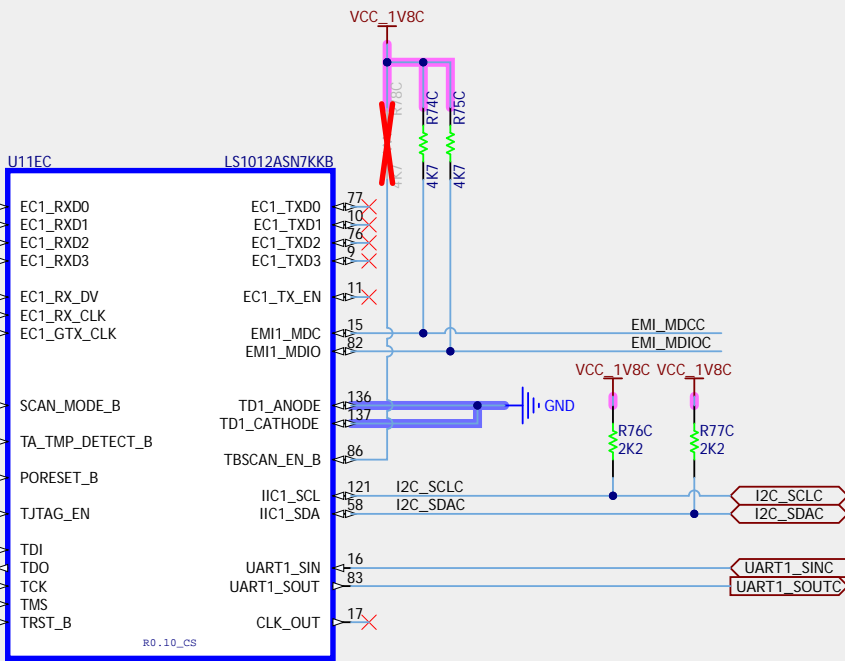
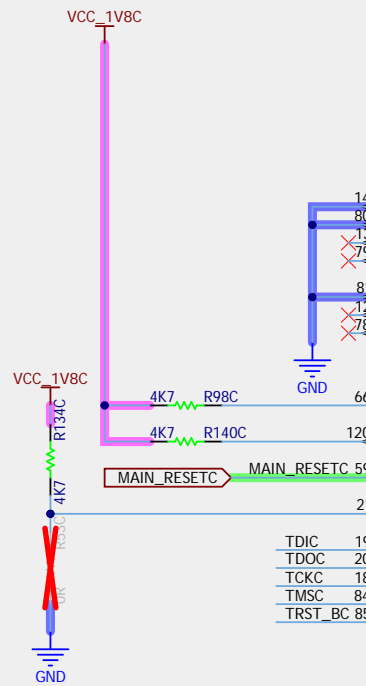
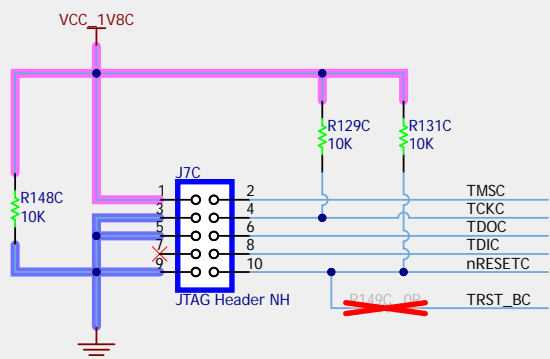
Project: ISIDORE_Type2.1.PrjPcb		Variants: USED SMD	
Title: SD Card Interface		Forward Edge AI, Inc. 10108 Carter Canyon, San Antonio, TX 78255 USA	
Size: A4	Number: 01122022.1.1	Revision: 20002	
Date: 9/26/2024 Time: 4:35:06 PM	Sheet 12.3.1 of 50		
File: ISIDORE2_SD_Card_Interface.SchDoc		www.forwardedge.ai/isidore F O R W A R D	




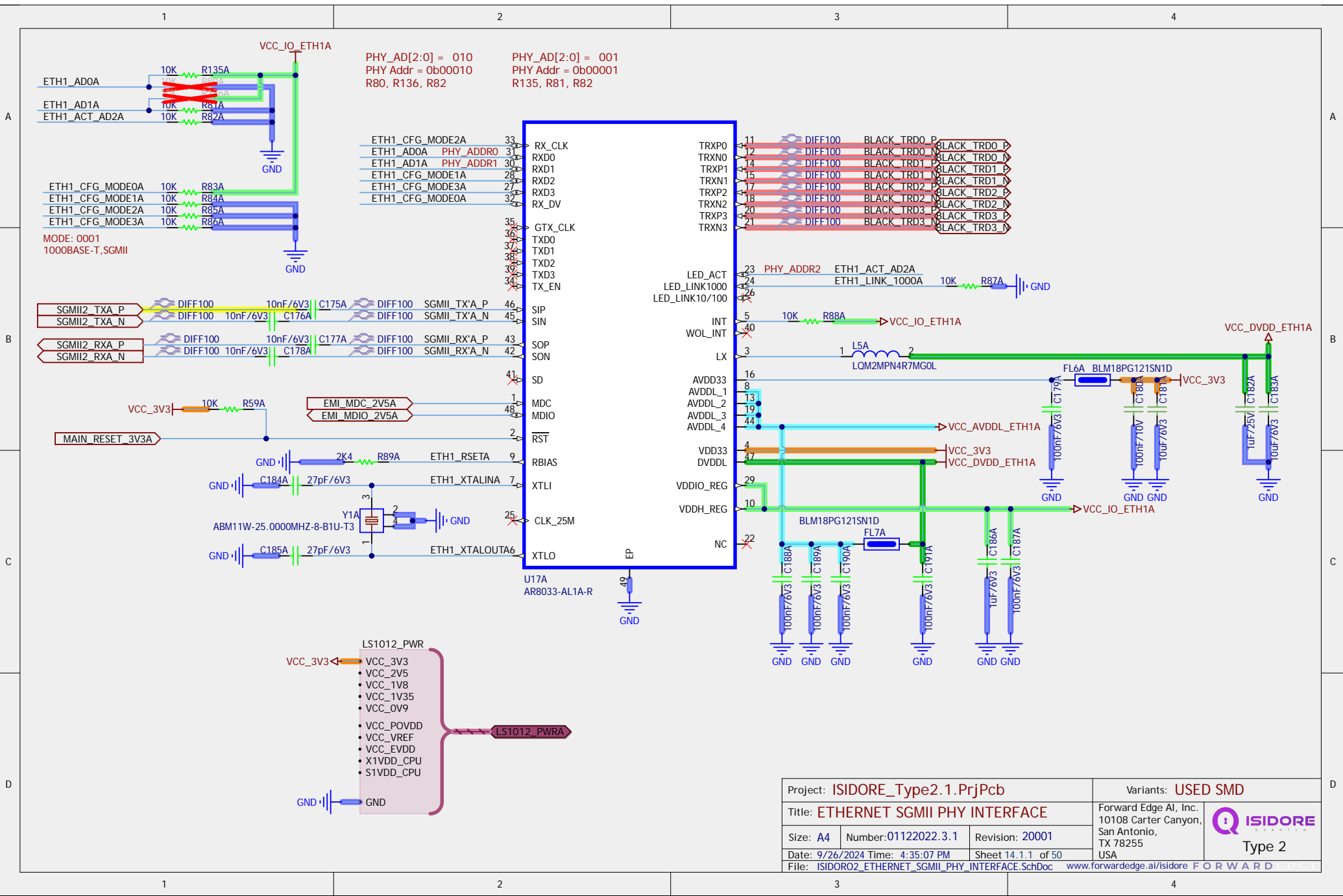
Project: ISIDORE_Type2.1.PrjPcb		Variants: USED SMD	
Title: LS1012 EMI, JTAG, UART & I2C BLOCK		Forward Edge AI, Inc. 10108 Carter Canyon, San Antonio, TX 78255 USA	
Size: A4	Number: 01122022.3.1	Revision: 20001	 Type 2
Date: 9/26/2024	Time: 4:35:06 PM	Sheet 13, 1.1 of 50	
File: ISIDORE2_LS1012_EMI_JTAG_UART_I2C_BLOCK.SchDoc www.forwardedge.ai/isidore F O R W A R D			

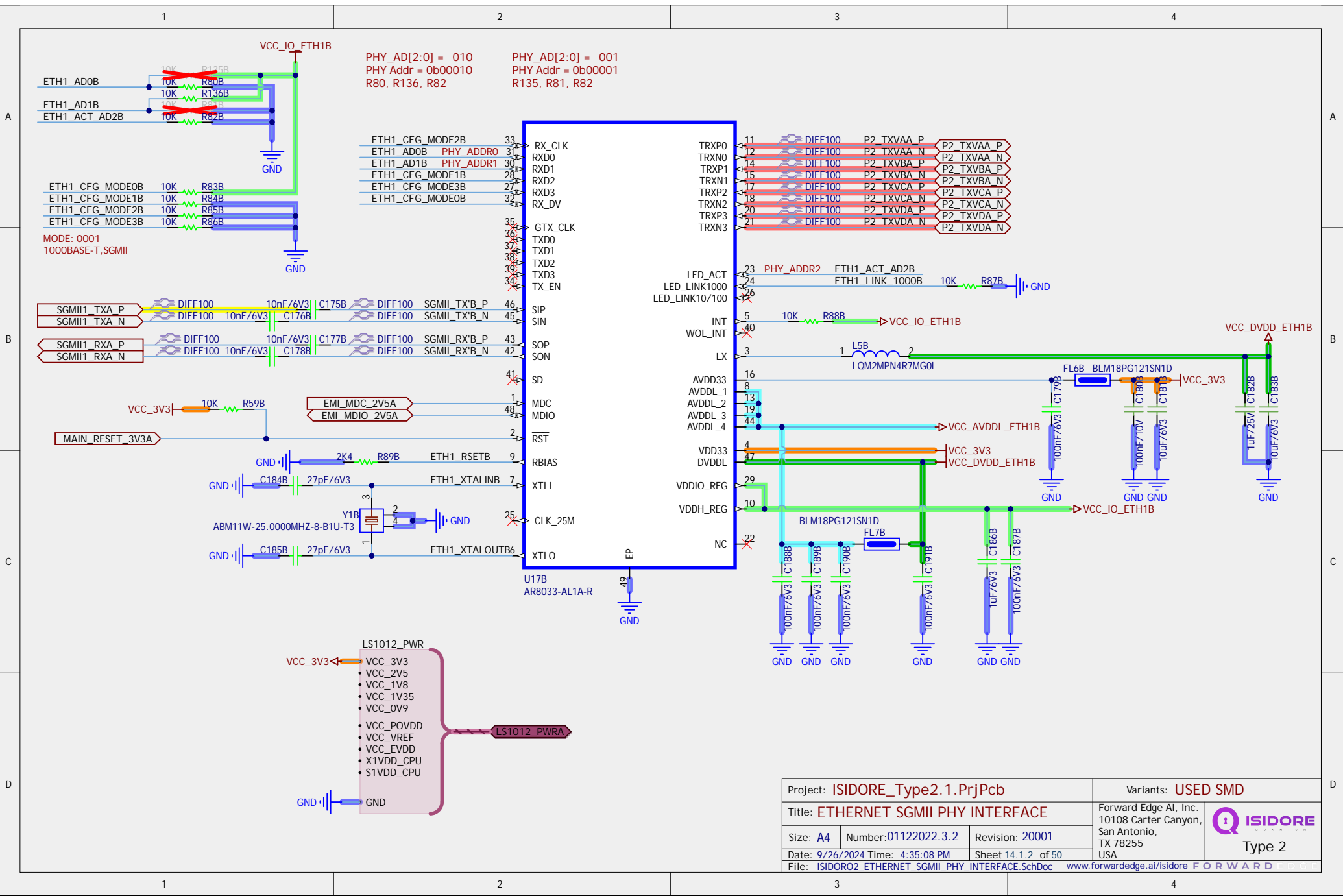



Project: ISIDORE_Type2.1.PrjPcb		Variants: USED SMD	
Title: LS1012 EMI, JTAG, UART & I2C BLOCK		Forward Edge AI, Inc. 10108 Carter Canyon, San Antonio, TX 78255 USA	
Size: A4	Number: 01122022.2.1	Revision: 20001	 Type 2
Date: 9/26/2024	Time: 4:35:07 PM	Sheet 13.2.1 of 50	
File: ISIDORE2_LS1012_EMI_JTAG_UART_I2C_BLOCK.SchDoc www.forwardedge.ai/isidore F O R W A R D			

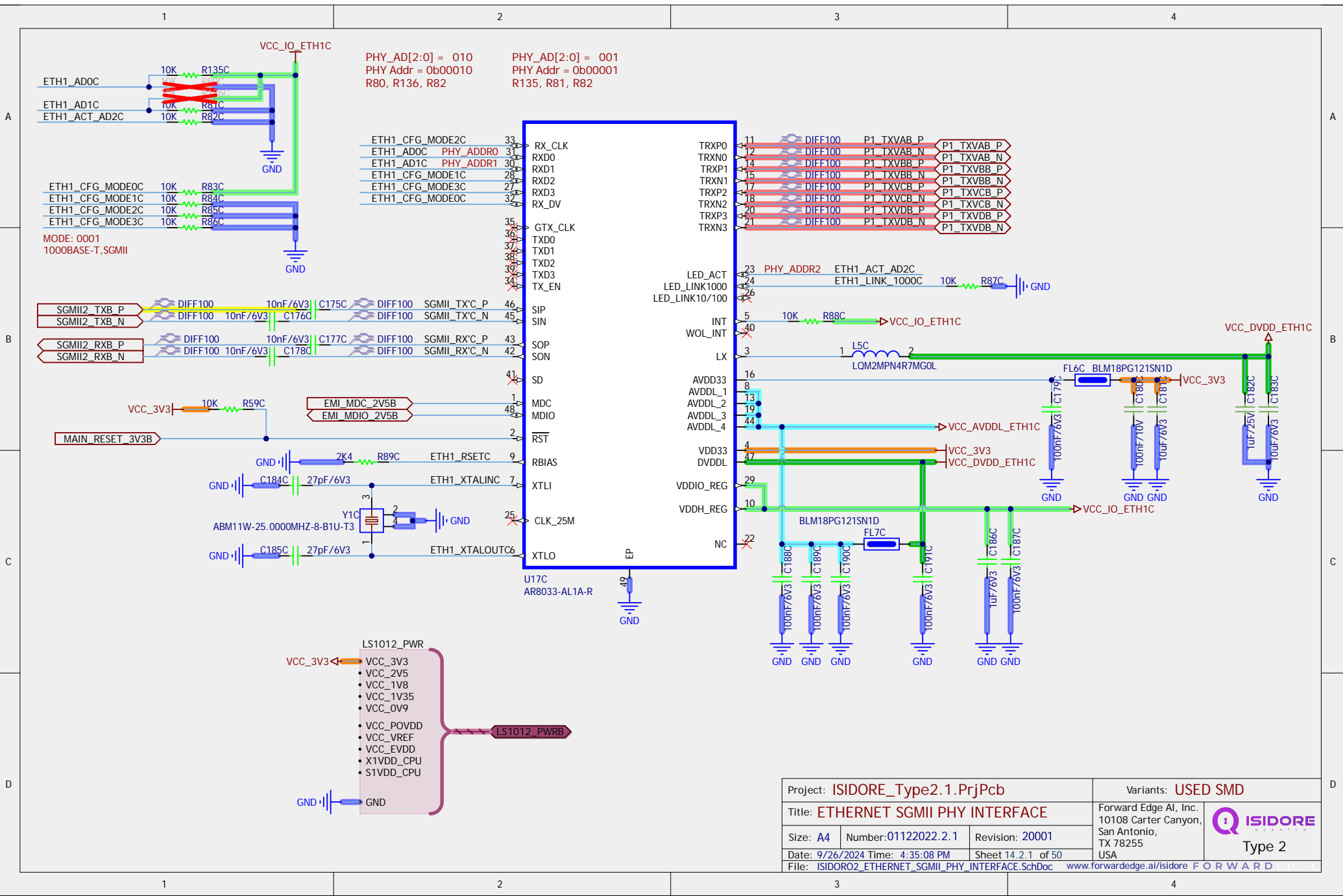



Project: ISIDORE_Type2.1.PrjPcb		Variants: USED SMD	
Title: LS1012 EMI, JTAG, UART & I2C BLOCK		Forward Edge AI, Inc. 10108 Carter Canyon, San Antonio, TX 78255 USA	
Size: A4	Number: 01122022.1.1	Revision: 20001	 Type 2
Date: 9/26/2024	Time: 4:35:07 PM	Sheet 13.3.1 of 50	
File: ISIDORE2_LS1012_EMI_JTAG_UART_I2C_BLOCK.SchDoc www.forwardedge.ai/isidore F O R W A R D			

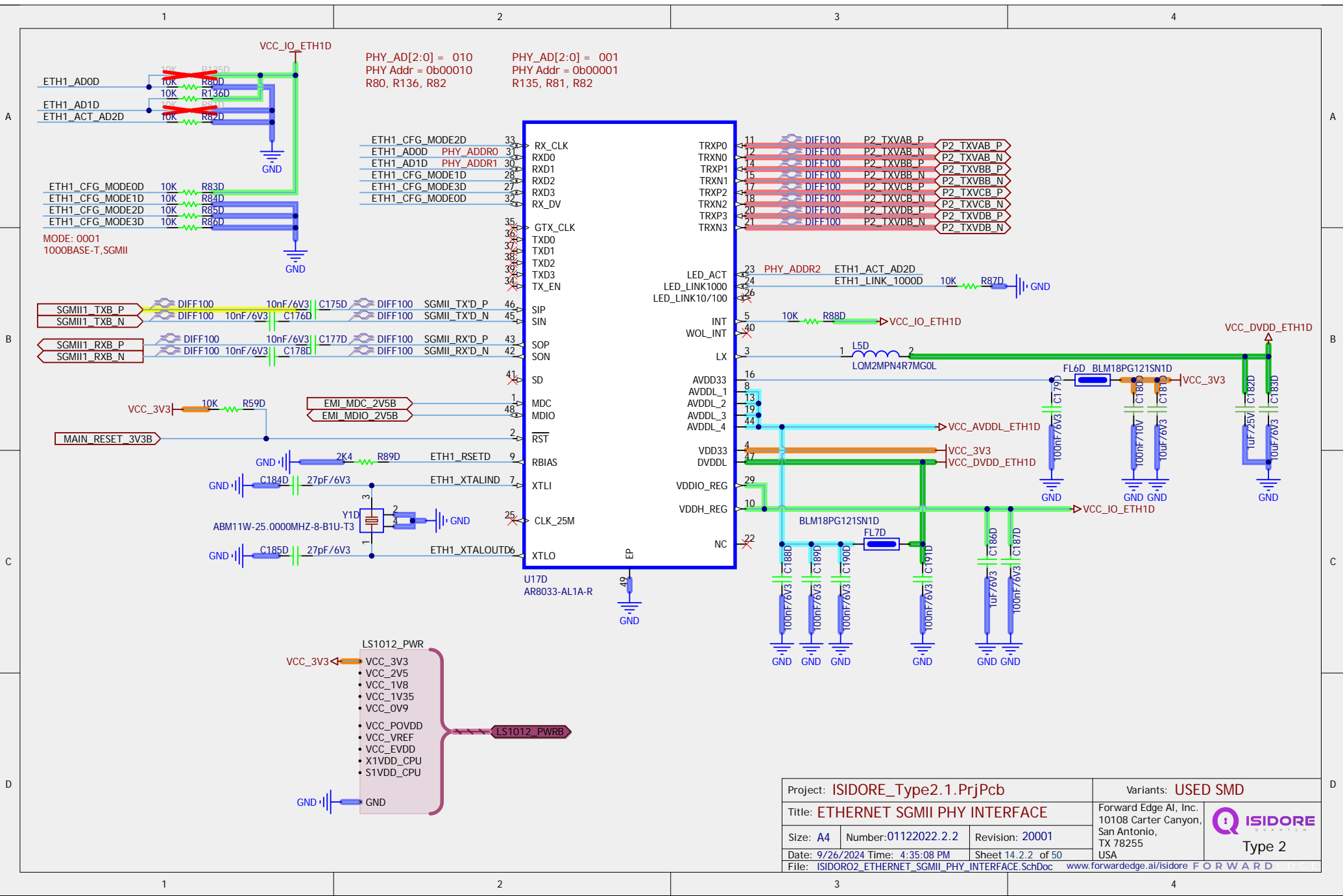





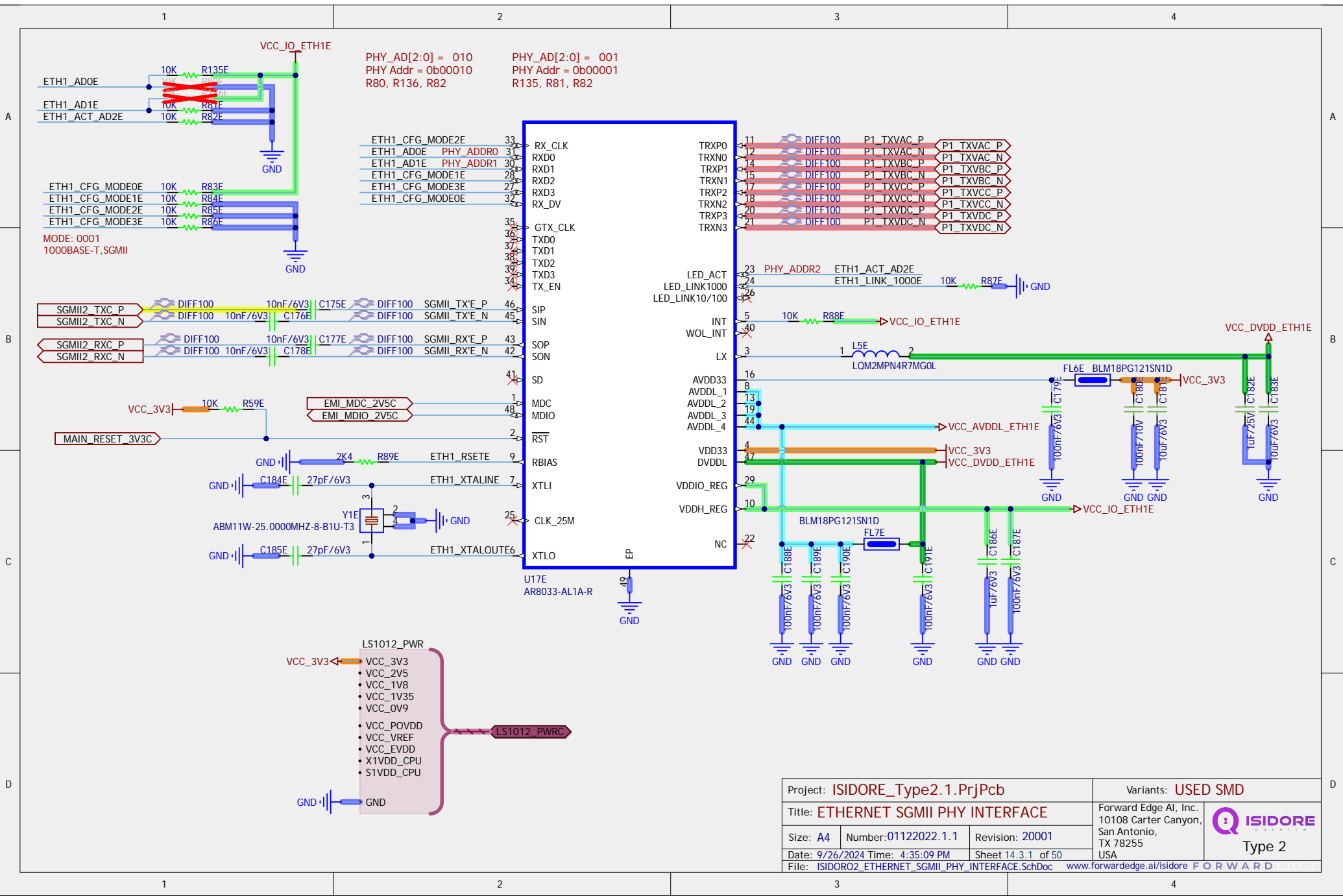
Project: ISIDORE_Type2.1.PrjPcb		Variants: USED SMD	
Title: ETHERNET SGMII PHY INTERFACE		Forward Edge AI, Inc. 10108 Carter Canyon, San Antonio, TX 78255 USA	
Size: A4	Number: 01122022.3.2	Revision: 20001	 Type 2
Date: 9/26/2024	Time: 4:35:08 PM	Sheet 14, 1.2 of 50	
File: ISIDOR02_ETHERNET_SGMII_PHY_INTERFACE.SchDoc		www.forwardedge.ai/isidore F O R W A R D	



Project: ISIDORE_Type2.1.PrjPcb		Variants: USED SMD	
Title: ETHERNET SGMII PHY INTERFACE		Forward Edge AI, Inc. 10108 Carter Canyon, San Antonio, TX 78255 USA	
Size: A4	Number: 01122022.2.1	Revision: 20001	 Type 2
Date: 9/26/2024	Time: 4:35:08 PM	Sheet 14.2.1 of 50	
File: ISIDOR02_ETHERNET_SGMII_PHY_INTERFACE.SchDoc		www.forwardedge.ai/isidore F O R W A R D	



Project: ISIDORE_Type2.1.PrjPcb		Variants: USED SMD	
Title: ETHERNET SGMII PHY INTERFACE		Forward Edge AI, Inc. 10108 Carter Canyon, San Antonio, TX 78255 USA	
Size: A4	Number: 01122022.2.2	Revision: 20001	 Type 2
Date: 9/26/2024	Time: 4:35:08 PM	Sheet 14.2.2 of 50	
File: ISIDOR02_ETHERNET_SGMII_PHY_INTERFACE.SchDoc		www.forwardedge.ai/isidore F O R W A R D	



PHY_AD[2:0] = 010
PHY Addr = 0b00010
R80, R136, R82

PHY_AD[2:0] = 001
PHY Addr = 0b00001
R135, R81, R82

ETH1_CFG_MODE2E 33
ETH1_AD0E PHY_ADDR0 31
ETH1_AD1E PHY_ADDR1 30
ETH1_CFG_MODE1E 28
ETH1_CFG_MODE3E 27
ETH1_CFG_MODE0E 32
RX_CLK 11
RXD0 12
RXD1 14
RXD2 15
RXD3 17
RX_DV 20

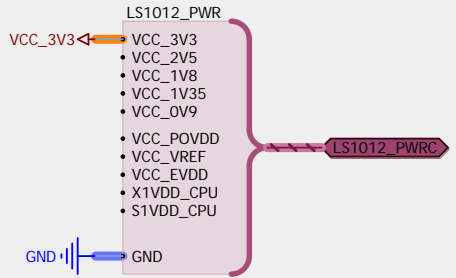
GTX_CLK 35
TXD0 36
TXD1 37
TXD2 38
TXD3 39
TX_EN 34
SIP 46
SIN 45
SOP 43
SON 42


SGMII_TXC_P DIFF100
SGMII_TXC_N DIFF100
SGMII_RXC_P DIFF100
SGMII_RXC_N DIFF100
SGMII_TX'E_P DIFF100
SGMII_TX'E_N DIFF100
SGMII_RX'E_P DIFF100
SGMII_RX'E_N DIFF100

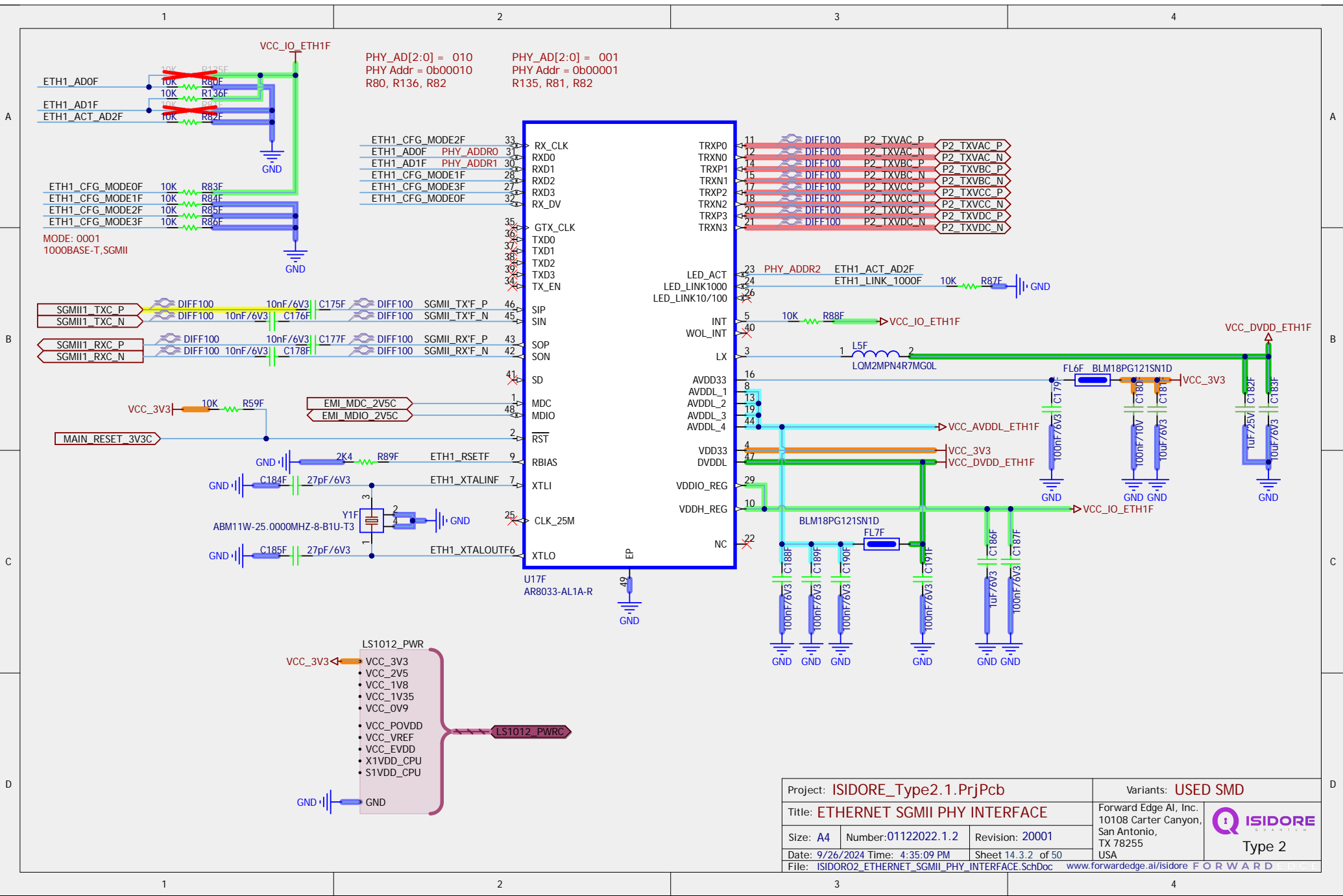
SD 41
MDC 1
MDIO 48
RST 2
RBIAS 9
XTLI 7
CLK_25M 25
XTLO 25


ETH1_RSETE 9
ETH1_XTALINE 7
ETH1_XTALOUTE6 25

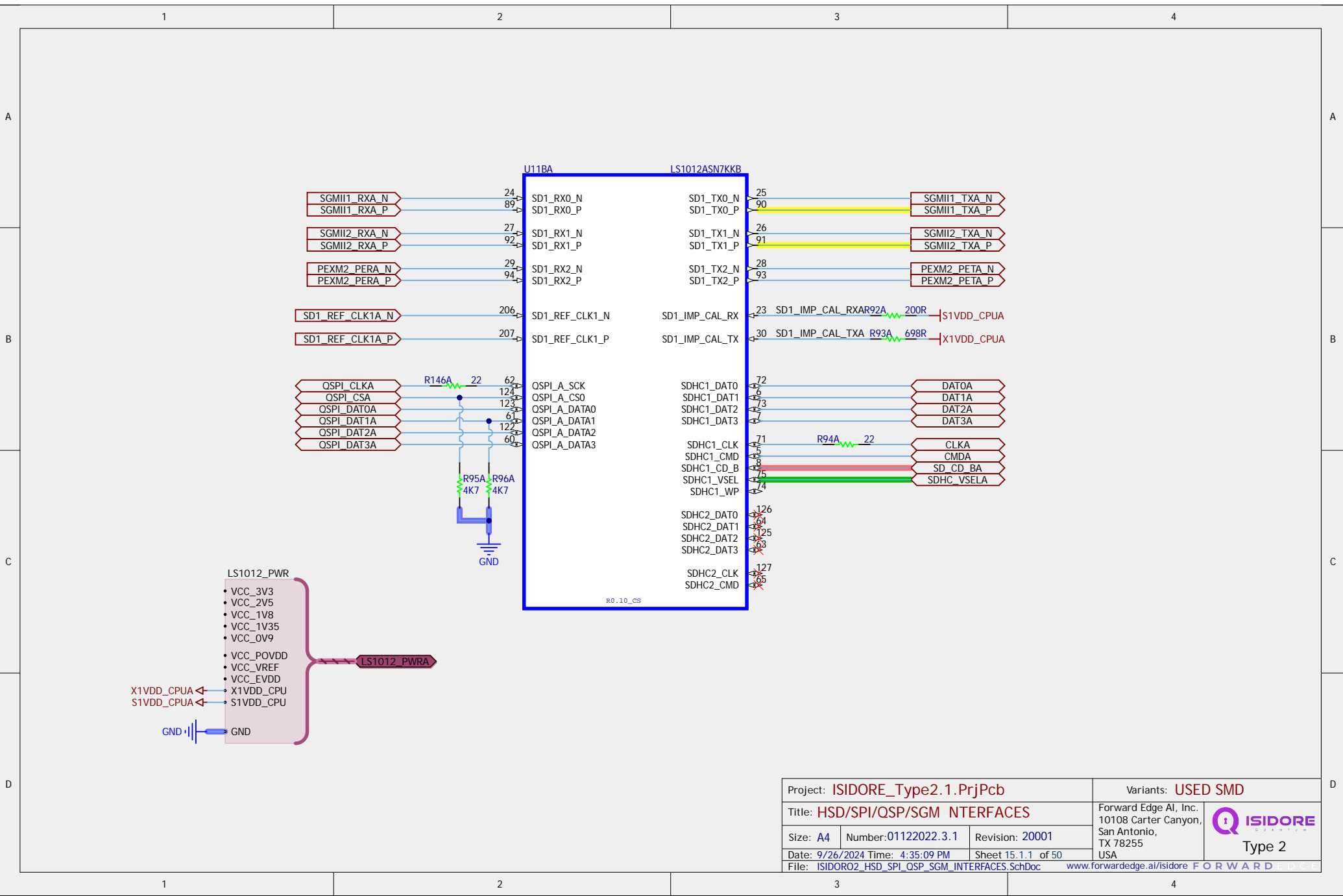
U17E AR8033-AL1A-R
EP 49




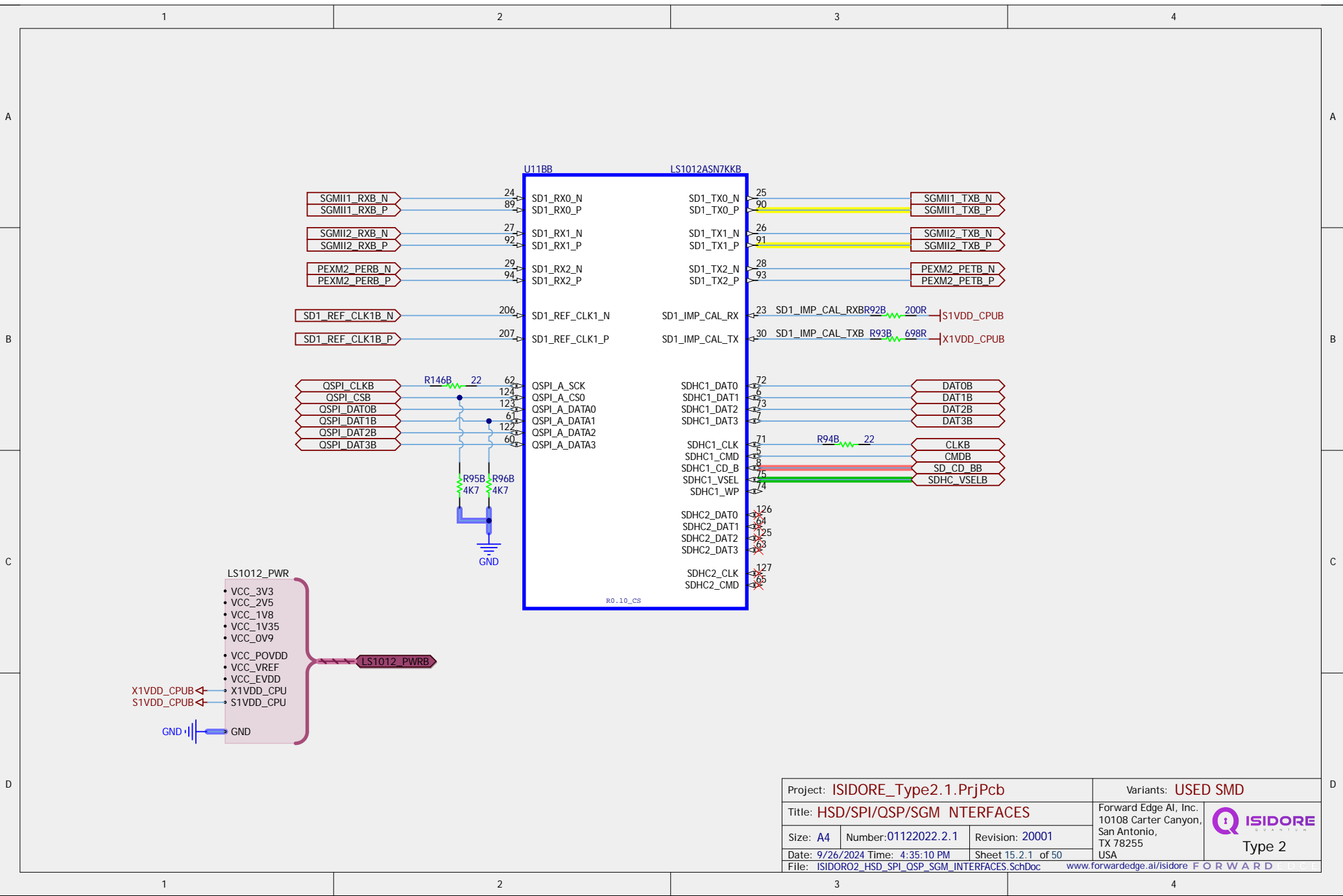
Project: ISIDORE_Type2.1.PrjPcb		Variants: USED SMD	
Title: ETHERNET SGMII PHY INTERFACE		Forward Edge AI, Inc. 10108 Carter Canyon, San Antonio, TX 78255 USA	
Size: A4	Number: 01122022.1.1	Revision: 20001	 Type 2
Date: 9/26/2024	Time: 4:35:09 PM	Sheet 14, 3.1 of 50	
File: ISIDOR02_ETHERNET_SGMII_PHY_INTERFACE.SchDoc		www.forwardedge.ai/isidore F O R W A R D	




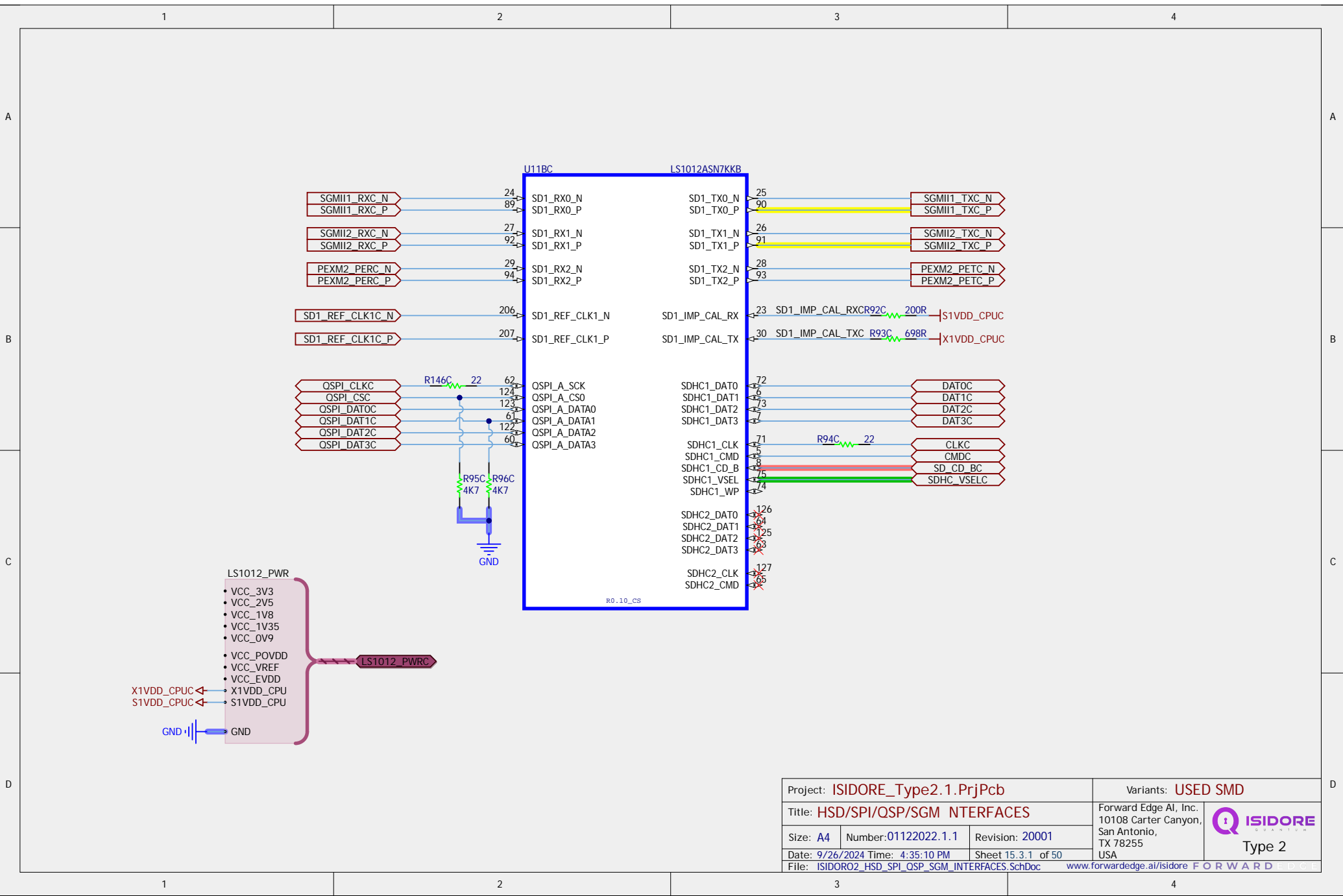
Project: ISIDORE_Type2.1.PrjPcb		Variants: USED SMD	
Title: ETHERNET SGMII PHY INTERFACE		Forward Edge AI, Inc. 10108 Carter Canyon, San Antonio, TX 78255 USA	
Size: A4	Number: 01122022.1.2	Revision: 20001	 Type 2
Date: 9/26/2024	Time: 4:35:09 PM	Sheet 14, 3.2 of 50	
File: ISIDOR02_ETHERNET_SGMII_PHY_INTERFACE.SchDoc		www.forwardedge.ai/isidore F O R W A R D	




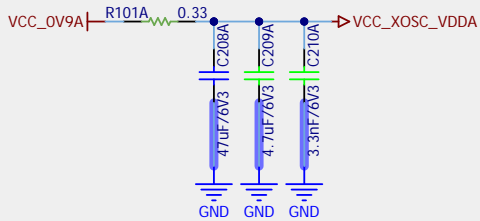
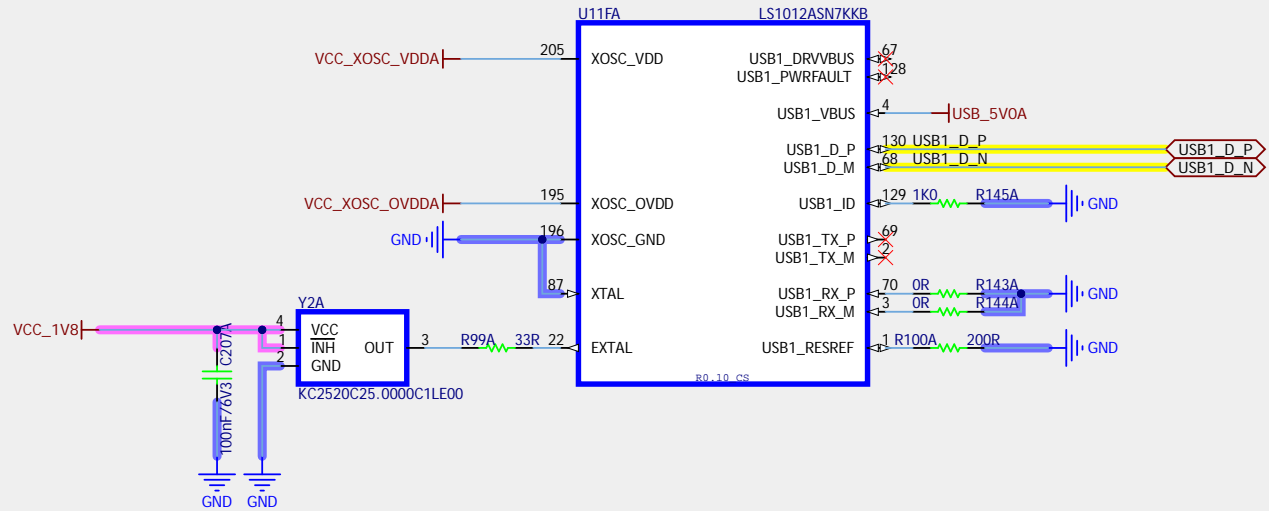
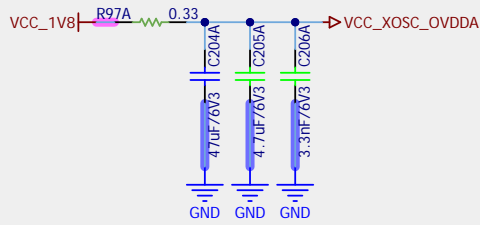
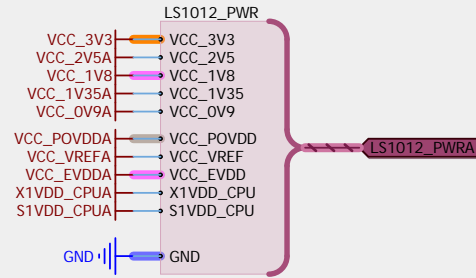
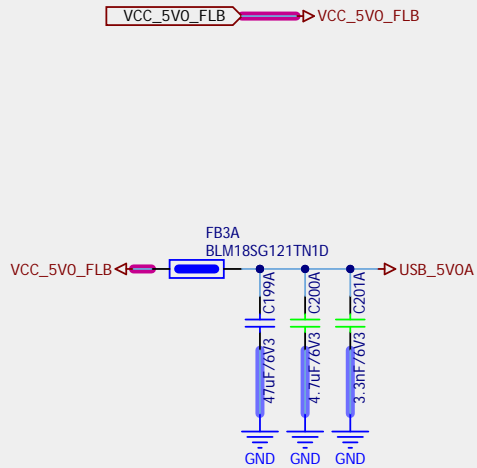
Project: ISIDORE_Type2.1.PrjPcb			Variants: USED SMD
Title: HSD/SPI/QSP/SGM INTERFACES			Forward Edge AI, Inc. 10108 Carter Canyon, San Antonio, TX 78255 USA
Size: A4	Number: 01122022.3.1	Revision: 20001	
Date: 9/26/2024 Time: 4:35:09 PM	Sheet 15.1.1 of 50		 Type 2
File: ISIDORO2_HSD_SPI_QSP_SGM_INTERFACES.SchDoc			
www.forwardedge.ai/isidore			F O R W A R D




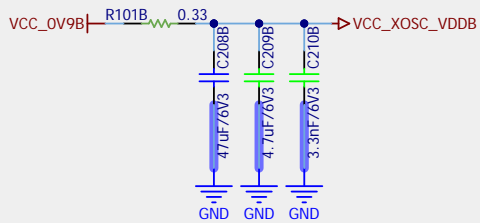
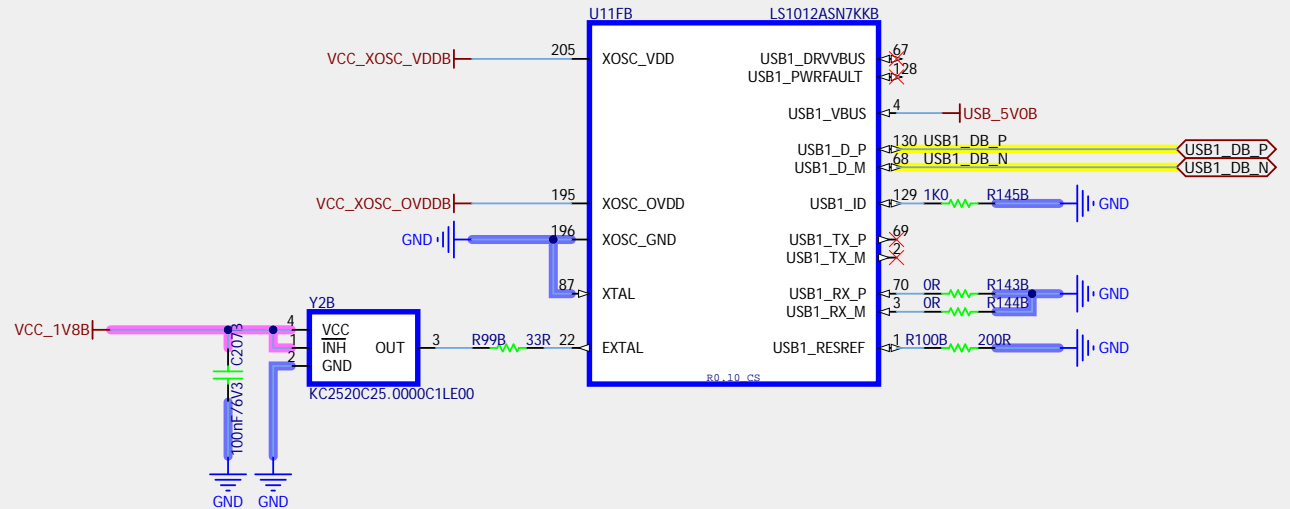
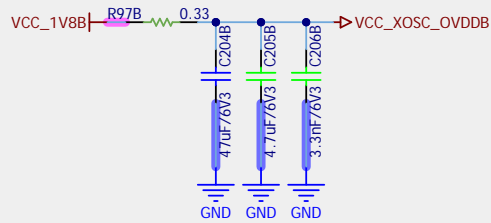
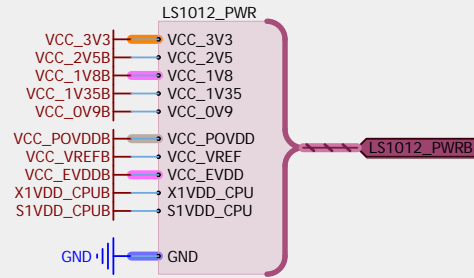
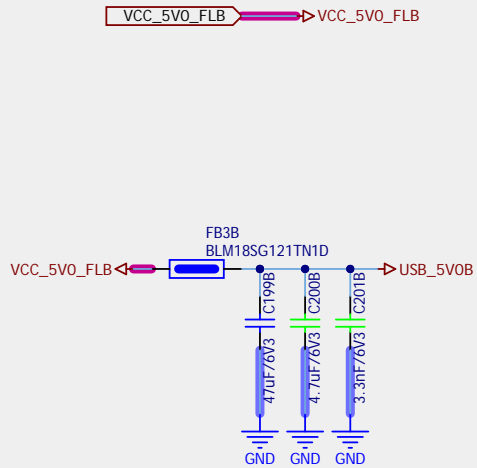
Project: ISIDORE_Type2.1.PrjPcb		Variants: USED SMD	
Title: HSD/SPI/QSP/SGM INTERFACES		Forward Edge AI, Inc. 10108 Carter Canyon, San Antonio, TX 78255 USA	
Size: A4	Number: 01122022.2.1	Revision: 20001	 Type 2
Date: 9/26/2024 Time: 4:35:10 PM	Sheet 15.2.1 of 50		
File: ISIDORO2_HSD_SPI_QSP_SGM_INTERFACES.SchDoc		www.forwardedge.ai/isidore F O R W A R D	




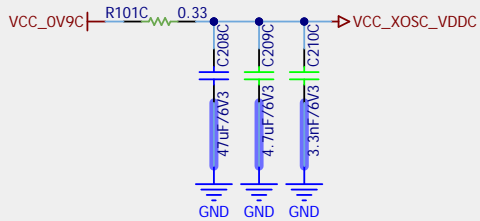
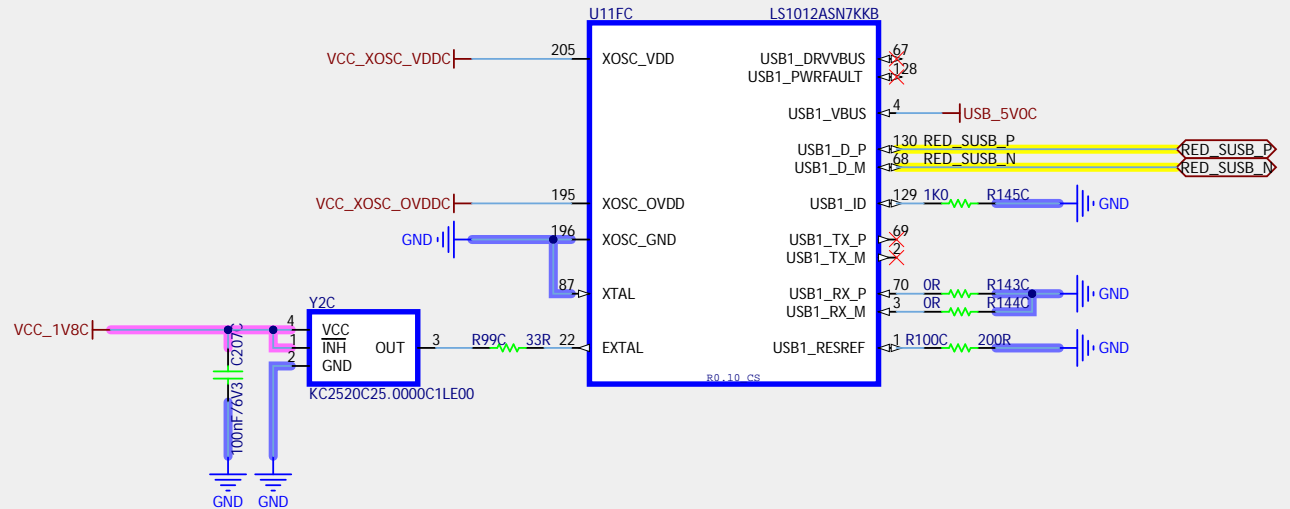
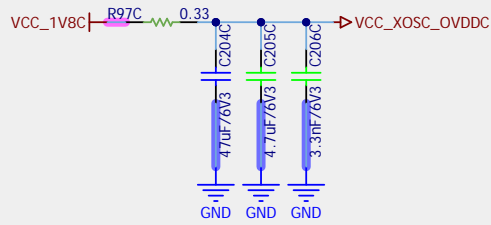
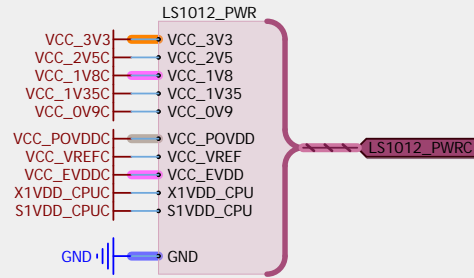
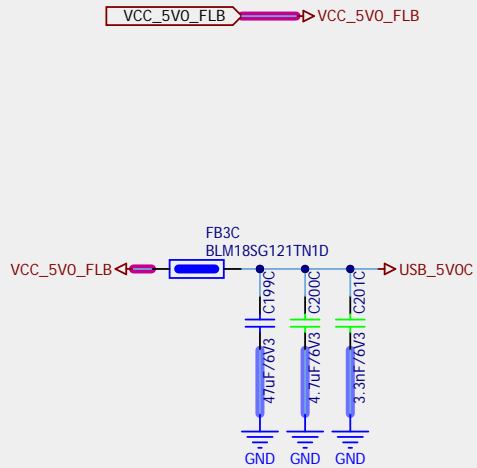
Project: ISIDORE_Type2.1.PrjPcb			Variants: USED SMD	
Title: HSD/SPI/QSP/SGM INTERFACES			Forward Edge AI, Inc. 10108 Carter Canyon, San Antonio, TX 78255 USA	
Size: A4	Number: 01122022.1.1	Revision: 20001	 Type 2	
Date: 9/26/2024 Time: 4:35:10 PM	Sheet 15.3.1 of 50			
File: ISIDORO2_HSD_SPI_QSP_SGM_INTERFACES.SchDoc			www.forwardedge.ai/isidore F O R W A R D	




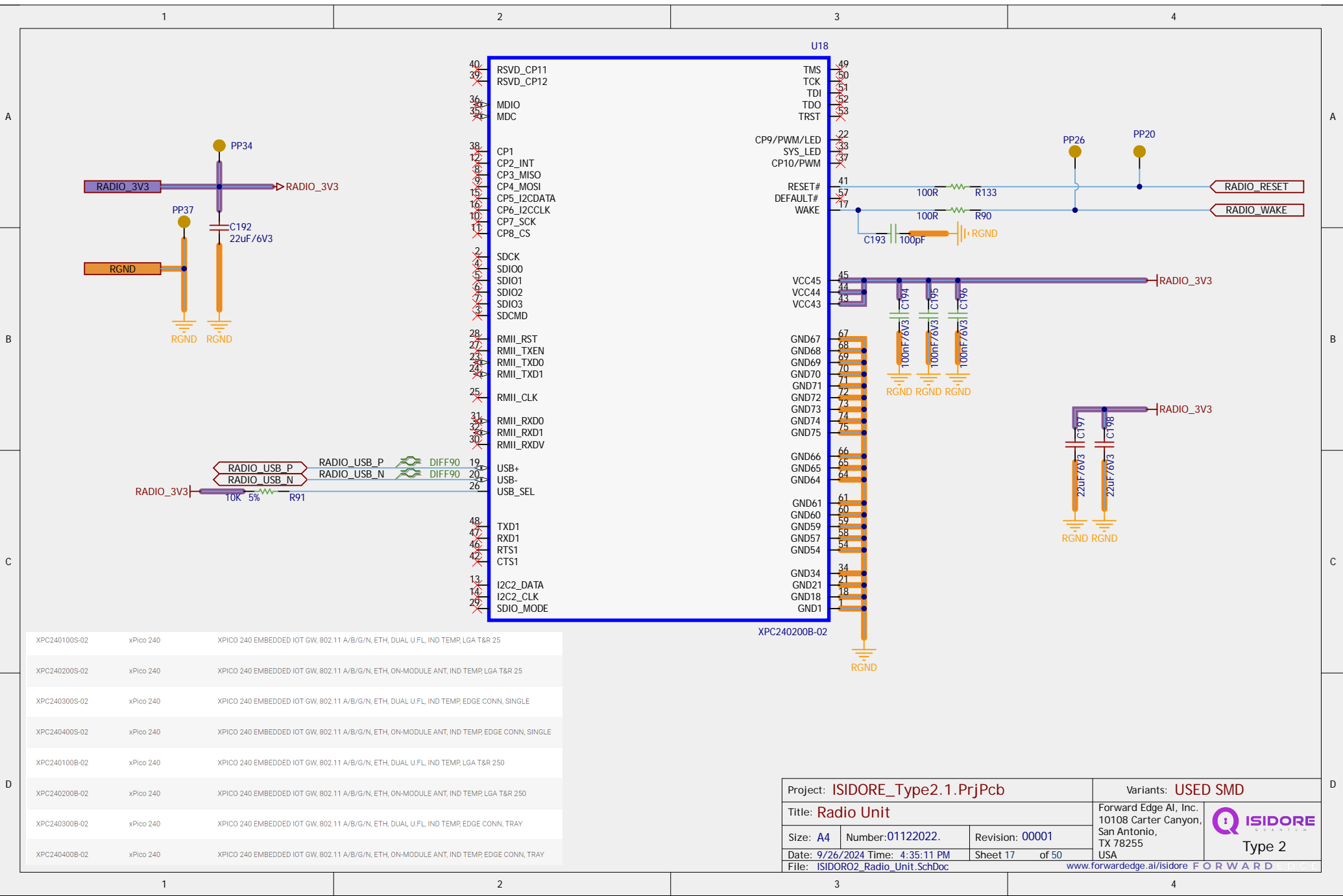
Project: ISIDORE_Type2.1.PrjPcb		Variants: USED SMD	
Title: USB Interface		Forward Edge AI, Inc. 10108 Carter Canyon, San Antonio, TX 78255 USA	
Size: A4	Number: 01122022.3.1	Revision: 00001	 Type 2
Date: 9/26/2024 Time: 4:35:10 PM	Sheet 16.1.1 of 50		
File: ISIDORO2_USB_Interface.SchDoc		www.forwardedge.ai/isidore FORWARDED	




Project: ISIDORE_Type2.1.PrjPcb		Variants: USED SMD	
Title: USB Interface		Forward Edge AI, Inc. 10108 Carter Canyon, San Antonio, TX 78255 USA	
Size: A4	Number: 01122022.2.1	Revision: 00001	 Type 2
Date: 9/26/2024 Time: 4:35:11 PM	Sheet 16.2.1 of 50		
File: ISIDORO2_USB_Interface.SchDoc		www.forwardedge.ai/isidore FORWARD	

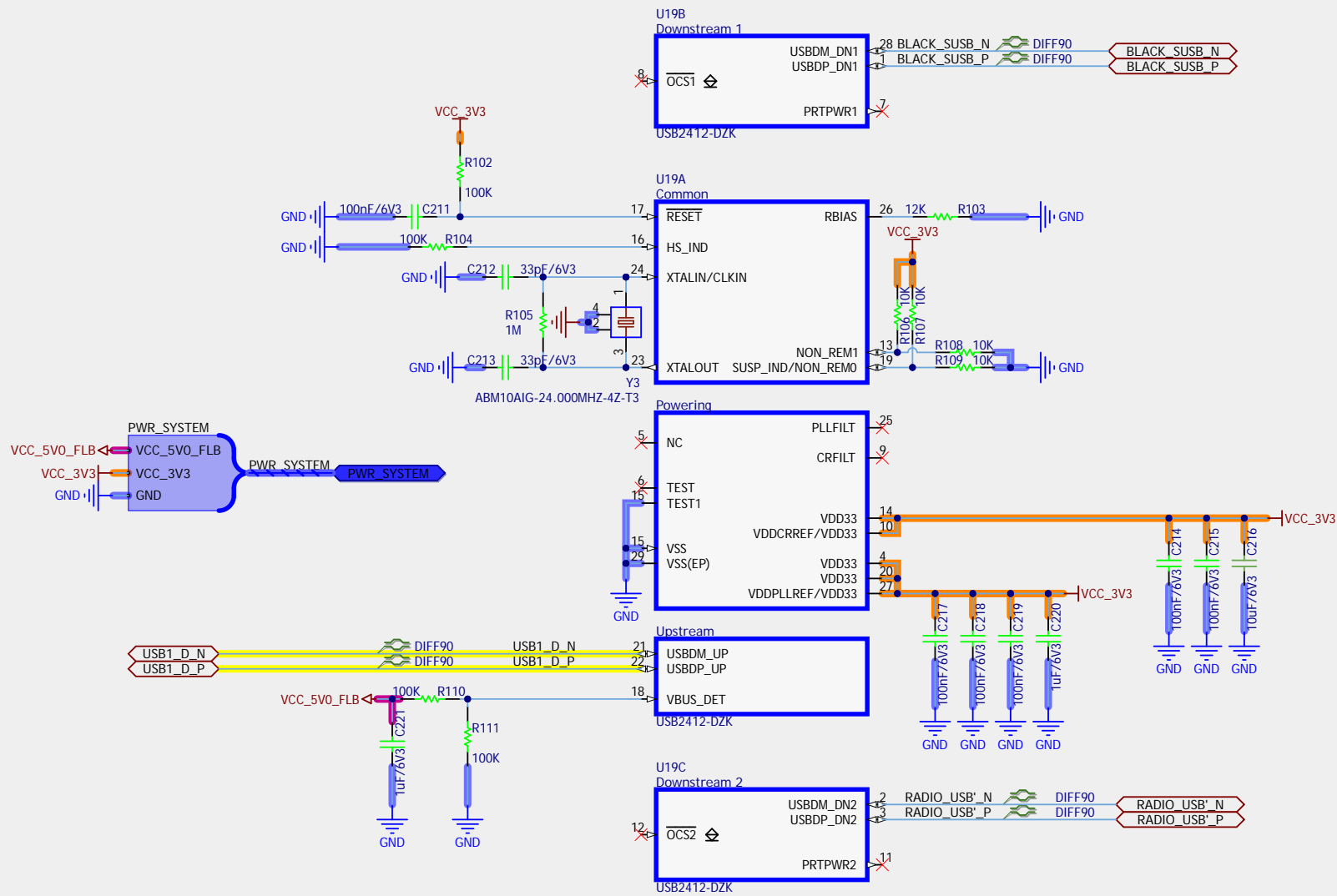



Project: ISIDORE_Type2.1.PrjPcb		Variants: USED SMD	
Title: USB Interface		Forward Edge AI, Inc. 10108 Carter Canyon, San Antonio, TX 78255 USA	
Size: A4	Number: 01122022.1.1	Revision: 00001	 Type 2
Date: 9/26/2024 Time: 4:35:11 PM	Sheet 16.3.1 of 50		
File: ISIDORO2_USB_Interface.SchDoc		www.forwardedge.ai/isidore FORWARD	

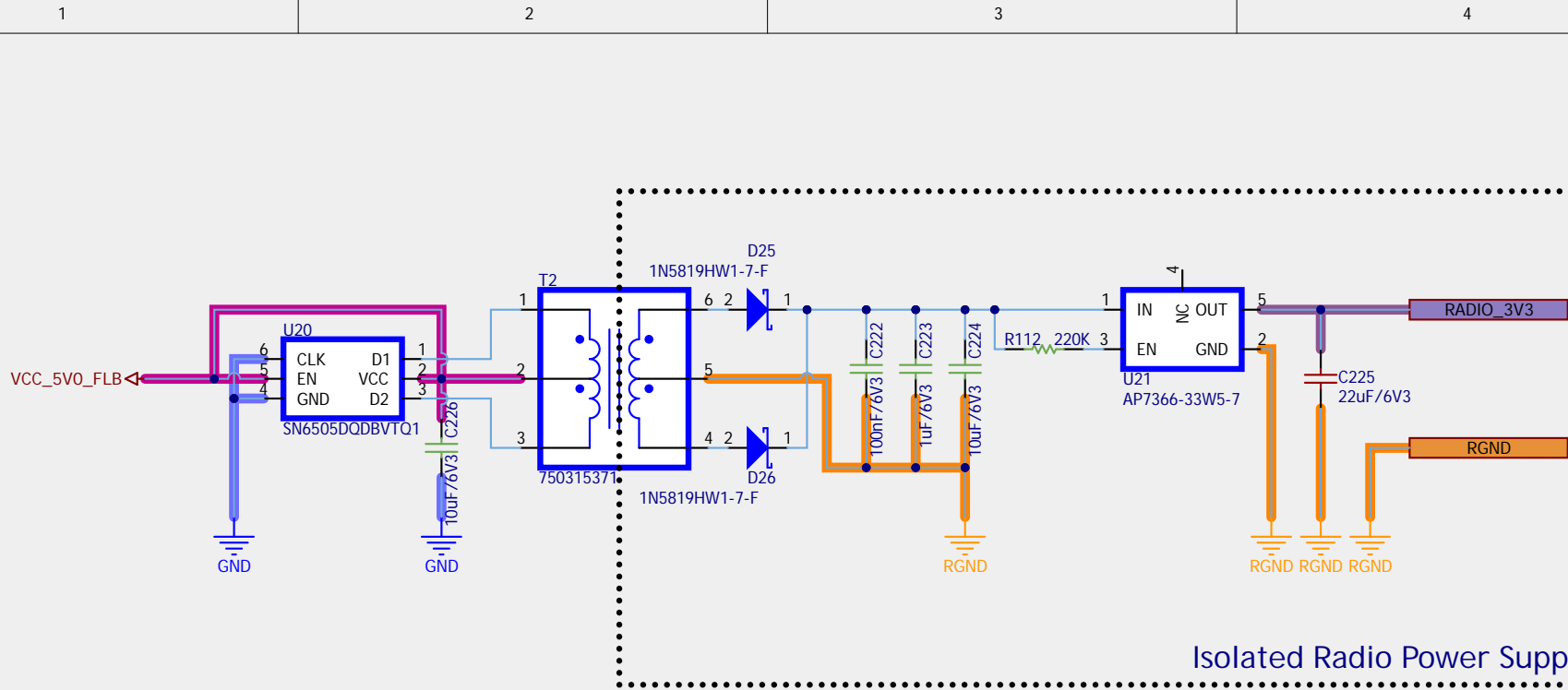


XPC240100S-02	xPico 240	XPICO 240 EMBEDDED IOT GW, 802.11 A/B/G/N, ETH, DUAL U.FL, IND TEMP, LGA T&R 25
XPC240200S-02	xPico 240	XPICO 240 EMBEDDED IOT GW, 802.11 A/B/G/N, ETH, ON-MODULE ANT, IND TEMP, LGA T&R 25
XPC240300S-02	xPico 240	XPICO 240 EMBEDDED IOT GW, 802.11 A/B/G/N, ETH, DUAL U.FL, IND TEMP, EDGE CONN, SINGLE
XPC240400S-02	xPico 240	XPICO 240 EMBEDDED IOT GW, 802.11 A/B/G/N, ETH, ON-MODULE ANT, IND TEMP, EDGE CONN, SINGLE
XPC240100B-02	xPico 240	XPICO 240 EMBEDDED IOT GW, 802.11 A/B/G/N, ETH, DUAL U.FL, IND TEMP, LGA T&R 250
XPC240200B-02	xPico 240	XPICO 240 EMBEDDED IOT GW, 802.11 A/B/G/N, ETH, ON-MODULE ANT, IND TEMP, LGA T&R 250
XPC240300B-02	xPico 240	XPICO 240 EMBEDDED IOT GW, 802.11 A/B/G/N, ETH, DUAL U.FL, IND TEMP, EDGE CONN, TRAY
XPC240400B-02	xPico 240	XPICO 240 EMBEDDED IOT GW, 802.11 A/B/G/N, ETH, ON-MODULE ANT, IND TEMP, EDGE CONN, TRAY

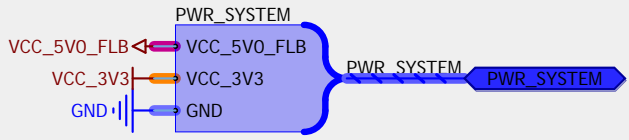
Project: ISIDORE_Type2.1.PrjPcb		Variants: USED SMD	
Title: Radio Unit		Forward Edge AI, Inc. 10108 Carter Canyon, San Antonio, TX 78255 USA	
Size: A4	Number: 01122022.	Revision: 00001	 Type 2
Date: 9/26/2024	Time: 4:35:11 PM	Sheet 17 of 50	
File: ISIDORO2_Radio_Unit.SchDoc		www.forwardedge.ai/isidore FORWARDED	




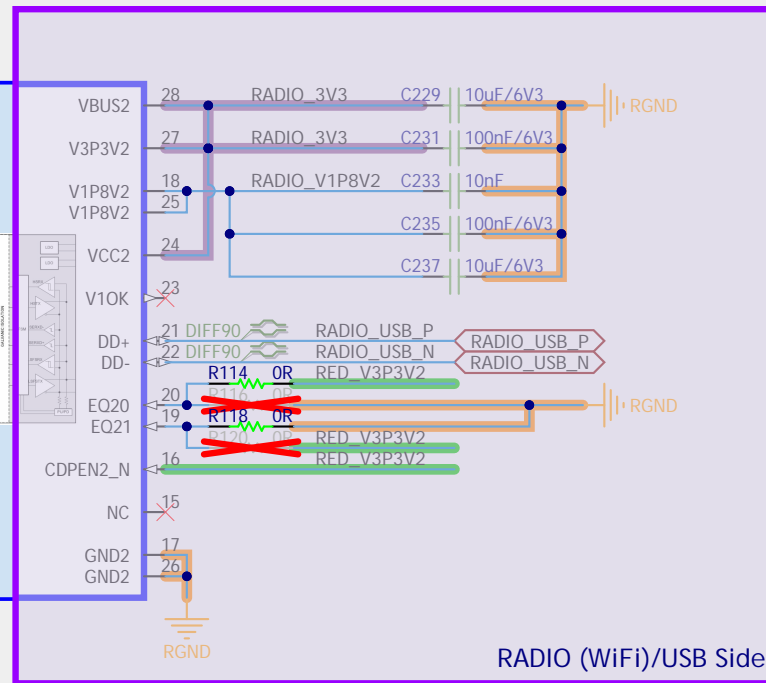
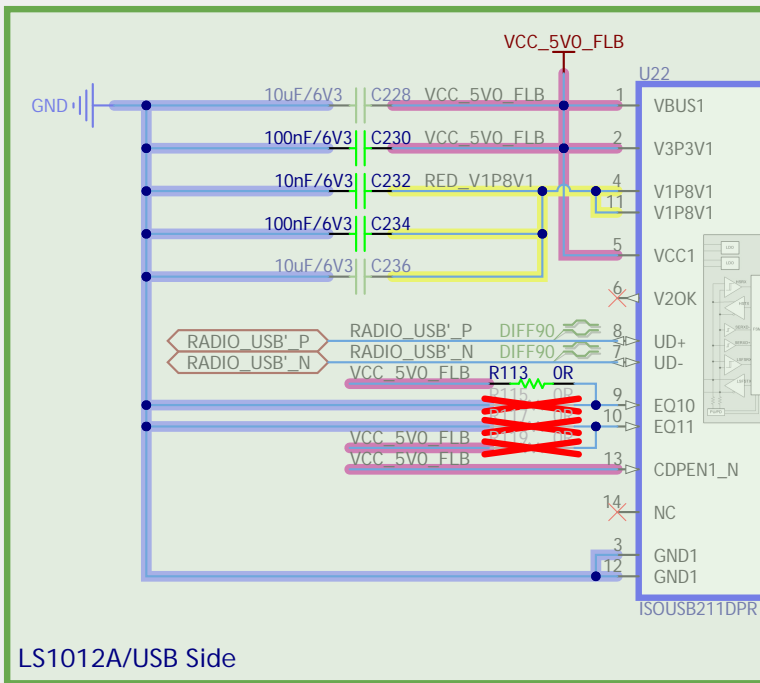
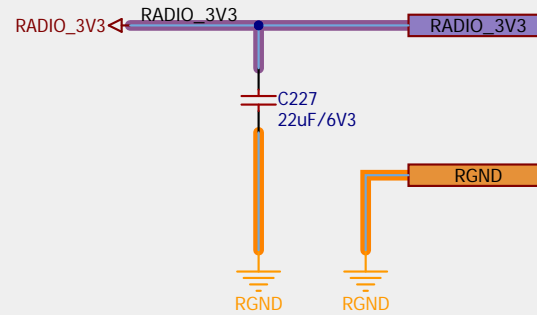
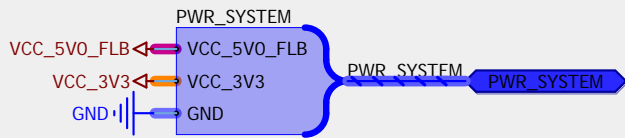
Project: ISIDORE_Type2.1.PrjPcb		Variants: USED SMD	
Title: USB2.0 2 Ports HUB		Forward Edge AI, Inc. 10108 Carter Canyon, San Antonio, TX 78255 USA	
Size: A4	Number: 01122022	Revision: 200002	 Type 2
Date: 9/26/2024 Time: 4:35:12 PM	File: ISIDORO2_USB2_0_HUB.SchDoc	Sheet 18 of 50	
		www.forwardedge.ai/isidore FORWARD	



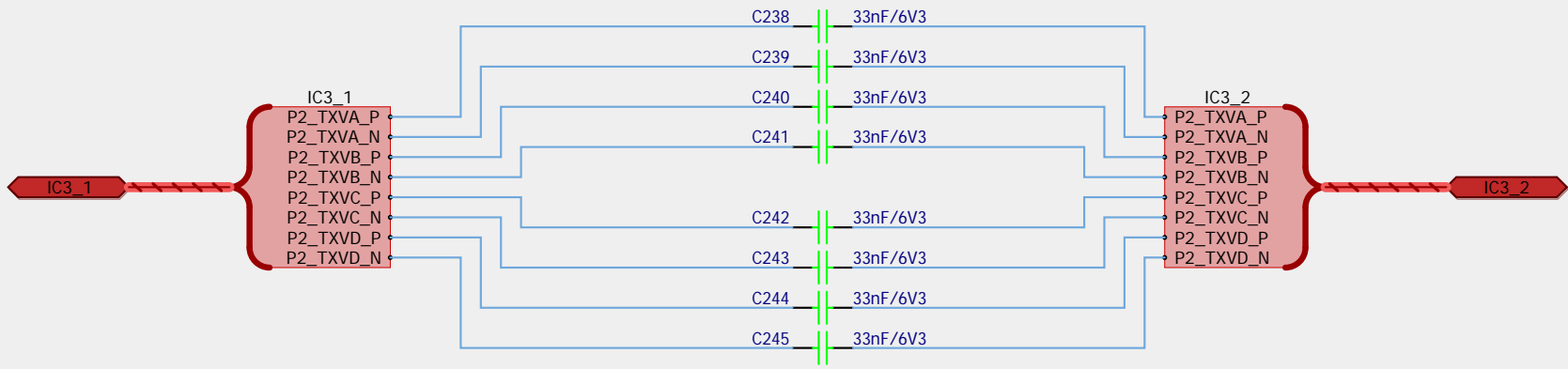
Isolated Radio Power Supply




Project: ISIDORE_Type2.1.PrpPcb			Variants: USED SMD	
Title: Radio Unit Isolated Power Supply			Forward Edge AI, Inc. 10108 Carter Canyon, San Antonio, TX 78255 USA	
Size: A	Number: 01122022.	Revision: 00001	 Type 2	
Date: 9/26/2024 Time: 4:35:12 PM	Sheet 19 of 50	File: ISIDORE2_RADIO_POWER_Isolator.SchDoc		
FORWARD EDGE AI				



Project: ISIDORE_Type2.1.PrjPcb			Variants: USED SMD	
Title: Radio USB Isolator			Forward Edge AI, Inc. 10108 Carter Canyon, San Antonio, TX 78255 USA	
Size: A	Number: 01122022.	Revision: 20001		
Date: 9/26/2024 Time: 4:35:12 PM	Sheet 20 of 50			
File: ISIDORE2_Radio_USB_Isolator.SchDoc			www.forwardedge.ai/isidore	



Project: ISIDORE_Type2.1.PrjPcb			Variants: USED SMD	
Title: IC3 Ethernet Capacitive Coupling			Forward Edge AI, Inc. 10108 Carter Canyon, San Antonio, TX 78255 USA	
Size: A	Number: 01122022.	Revision: 00001	 Type 2	
Date: 9/26/2024 Time: 4:35:13 PM	Sheet 21 of 50			
File: ISIDORE2_IC3_Ethernet_Capacitive_Coupling_SchDoc forwardedge.ai/isidore FORWARD EDGE AI				

1

2

3

4

A

A

B

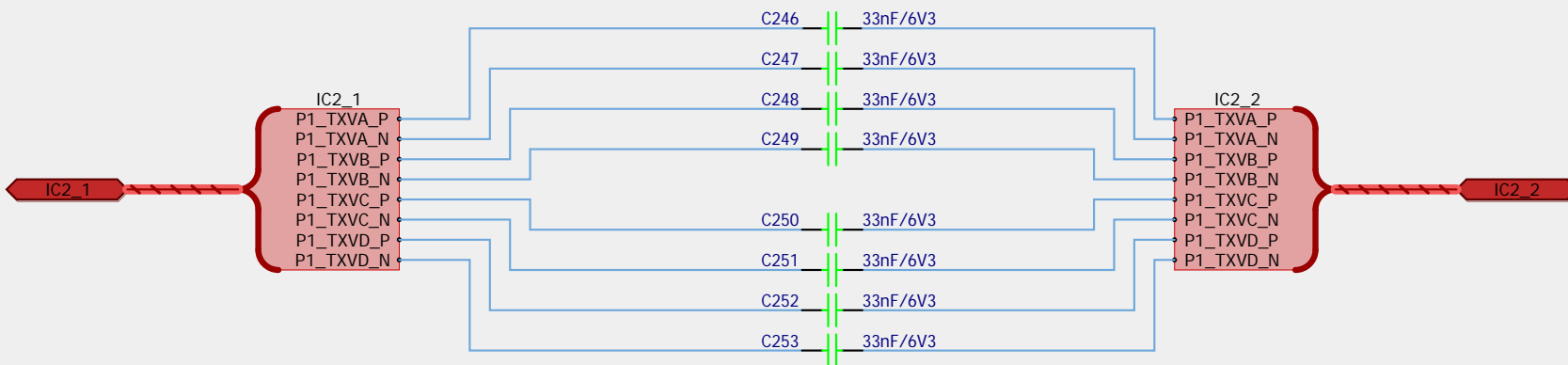
B

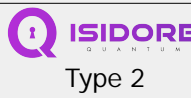
C

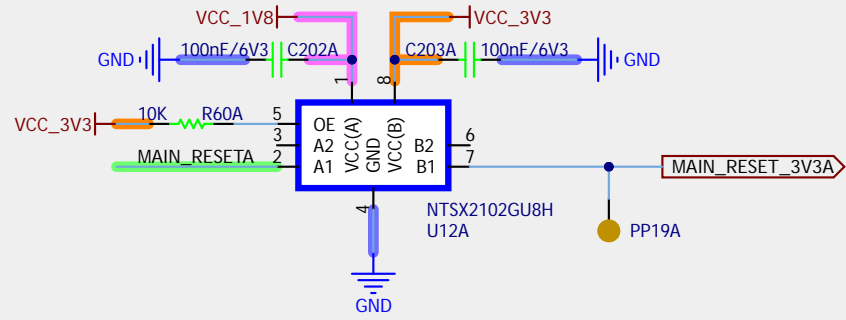
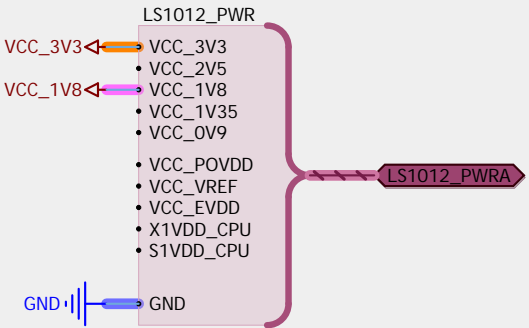
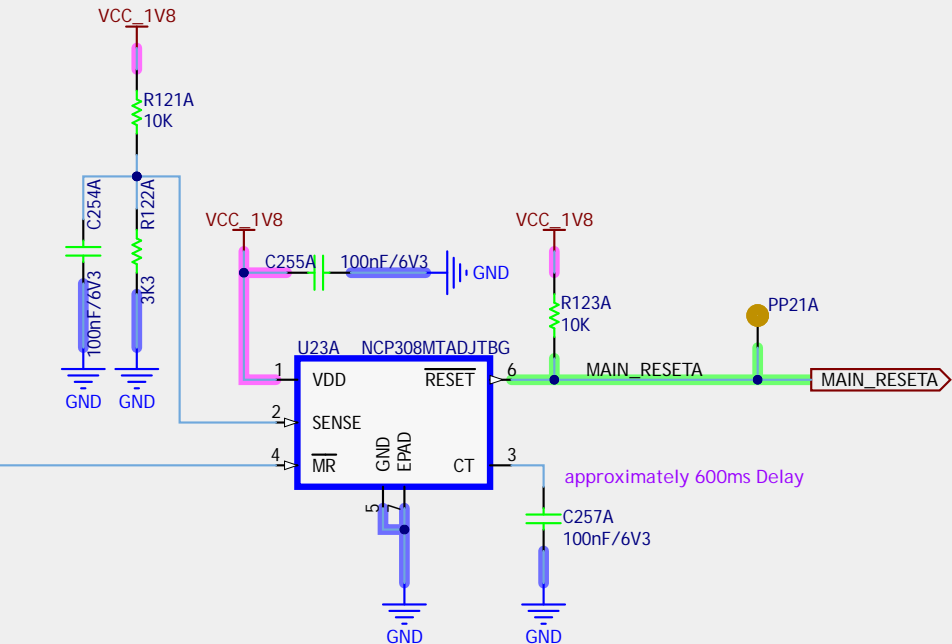
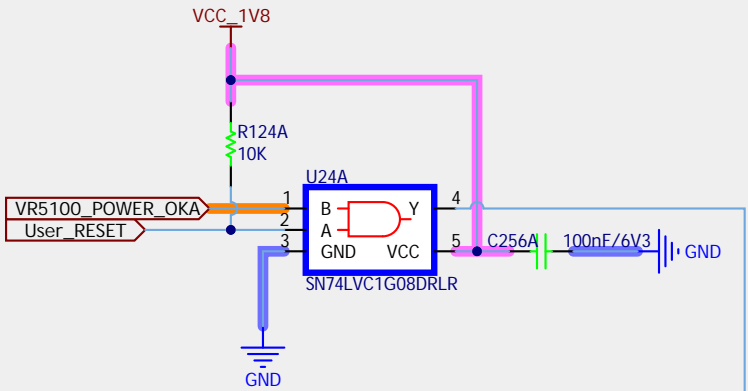
C


D

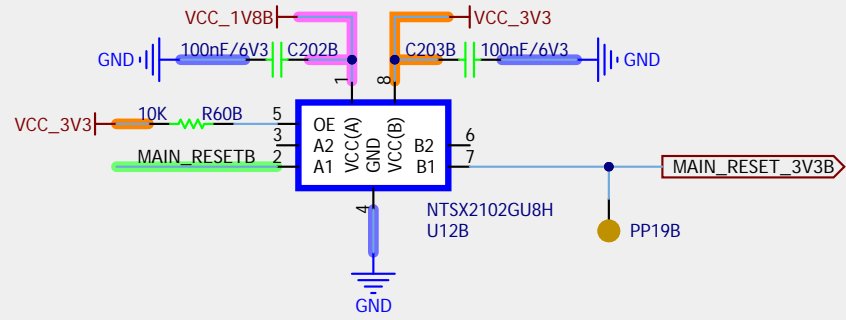
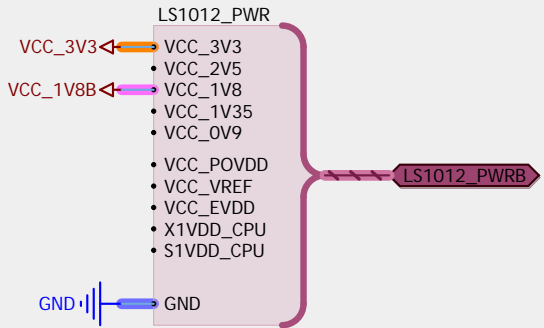
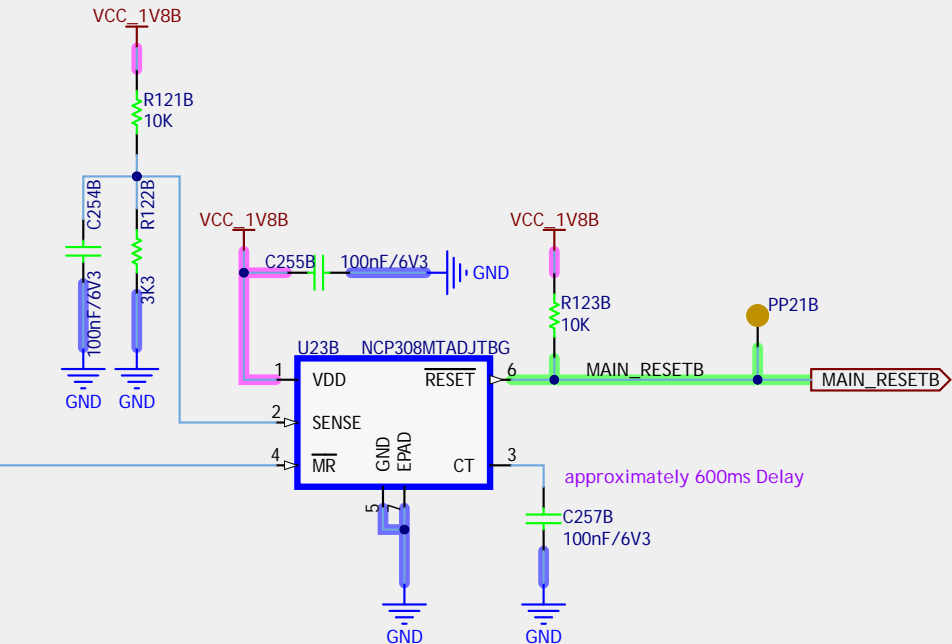
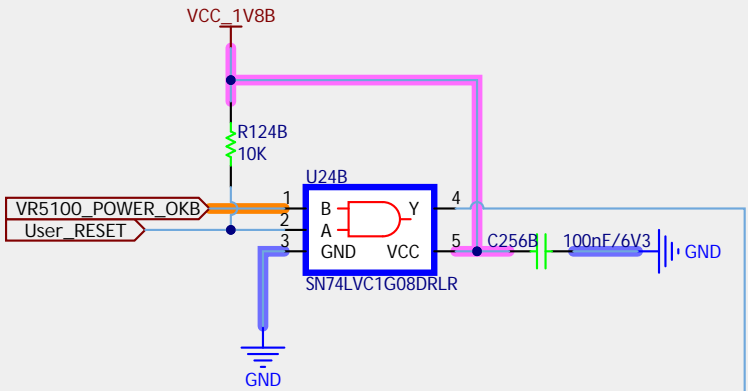
D




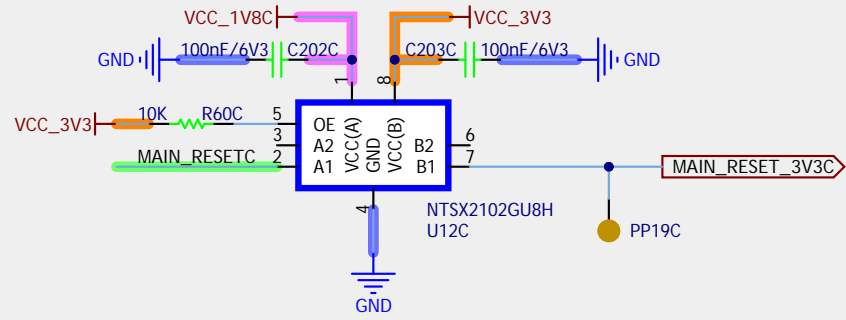
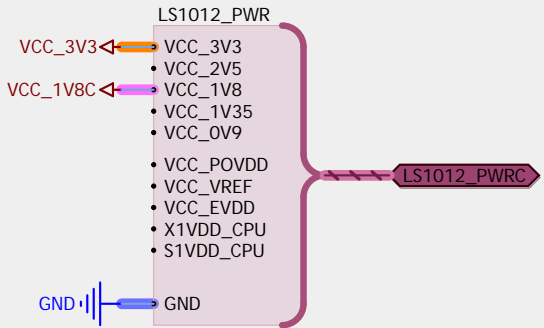
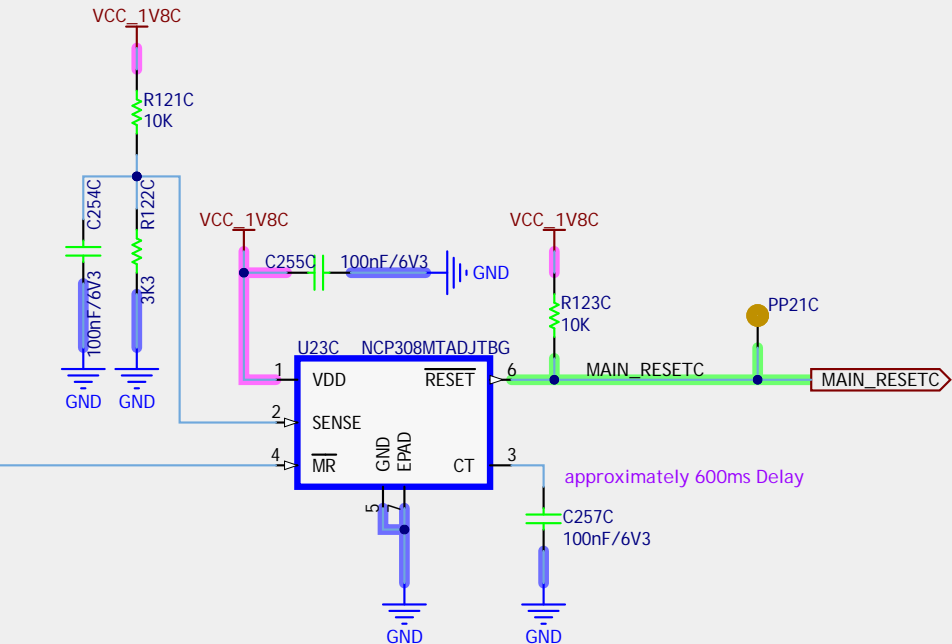
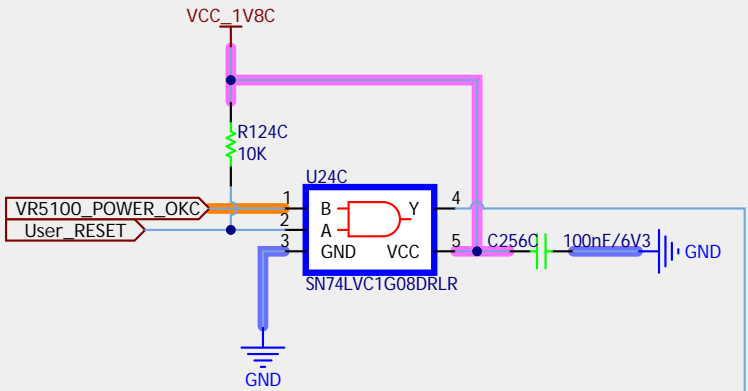
Project: ISIDORE_Type2.1.PrjPcb			Variants: USED SMD	
Title: IC2 Ethernet Capacitive Coupling			Forward Edge AI, Inc. 10108 Carter Canyon, San Antonio, TX 78255 USA	
Size: A	Number: 01122022.	Revision: 00001	 Type 2	
Date: 9/26/2024 Time: 4:35:13 PM	Sheet 22 of 50	File: ISIDORE2_IC2_Ethernet_Capacitive_Coupling_SchDoc		
			FORWARD EDGE AI	




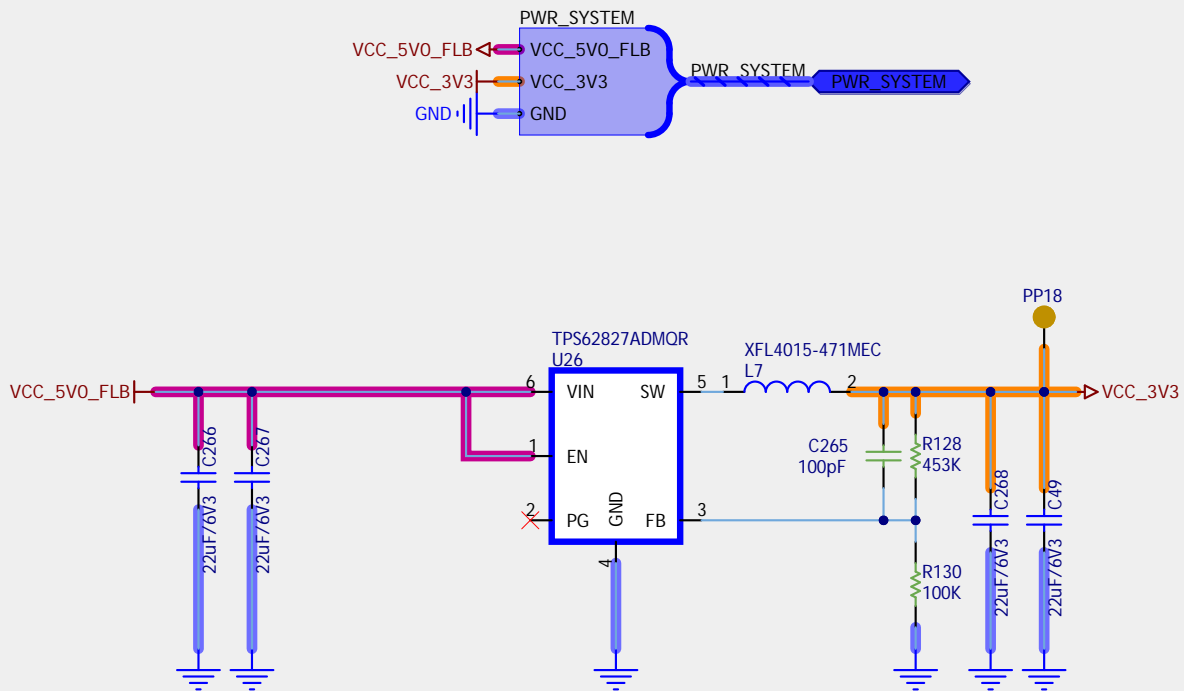
Project: ISIDORE_Type2.1.PrxPcb			Variants: USED SMD	
Title: LS1012A Reset			Forward Edge AI, Inc. 10108 Carter Canyon, San Antonio, TX 78255 USA	
Size: A	Number: 01122022.3.1	Revision: 20001	 Type 2	
Date: 9/26/2024 Time: 4:35:13 PM	Sheet 23.1.1 of 50	File: ISIDORO2_LS1012A_Reset.SchDoc		




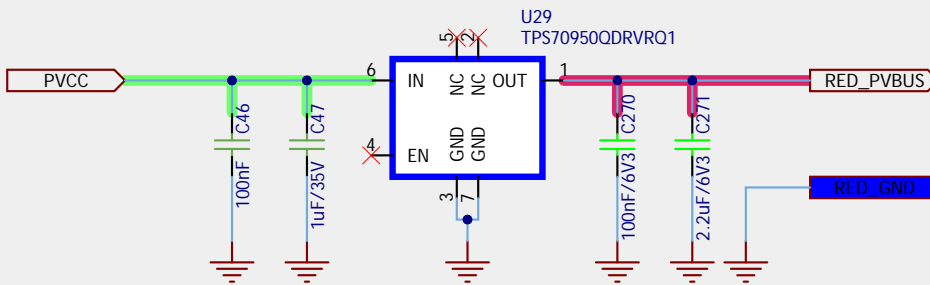
Project: ISIDORE_Type2.1.PrjPcb			Variants: USED SMD	
Title: LS1012A Reset			Forward Edge AI, Inc. 10108 Carter Canyon, San Antonio, TX 78255 USA	
Size: A	Number: 01122022.2.1	Revision: 20001	 Type 2	
Date: 9/26/2024 Time: 4:35:13 PM	Sheet 23.2.1 of 50	File: ISIDORO2_LS1012A_Reset.SchDoc		




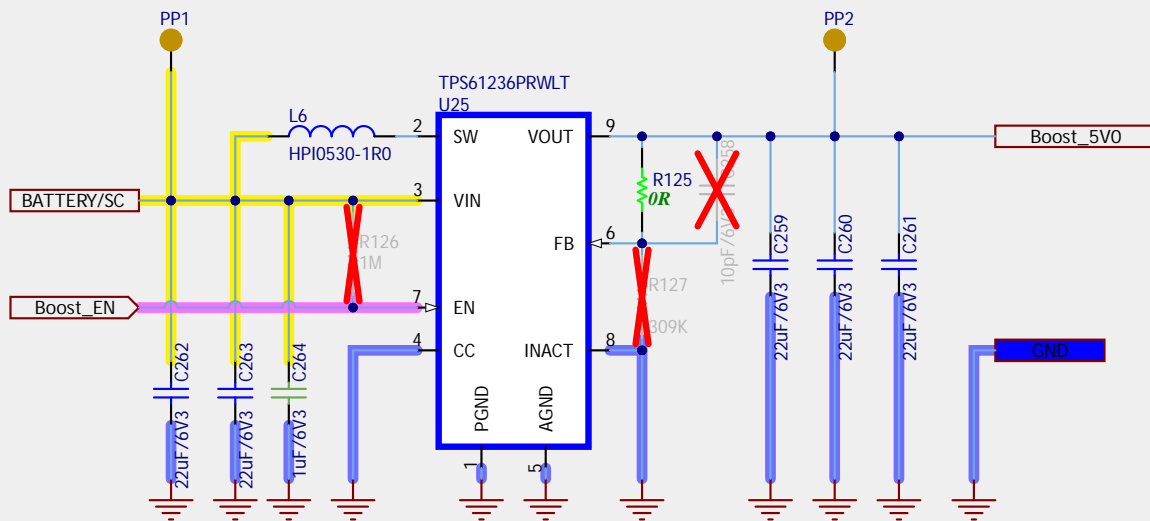
Project: ISIDORE_Type2.1.PrxPcb			Variants: USED SMD	
Title: LS1012A Reset			Forward Edge AI, Inc. 10108 Carter Canyon, San Antonio, TX 78255 USA	
Size: A	Number: 01122022.1.1	Revision: 20001	 Type 2	
Date: 9/26/2024 Time: 4:35:14 PM	Sheet 23.3.1 of 50	File: ISIDORO2_LS1012A_Reset.SchDoc		




Project: ISIDORE_Type2.1.PrjPcb			Variants: USED SMD	
Title: Buck Converter 3V3			Forward Edge AI, Inc. 10108 Carter Canyon, San Antonio, TX 78255 USA	
Size: A	Number: 01122022.	Revision: 20001	 Type 2	
Date: 9/26/2024 Time: 4:35:14 PM	Sheet of 50	File: ISIDORE2_Buck_3V3.SchDoc		
www.forwardedge.ai/isidore			FORWARD EDGE AI	



Project: ISIDORE_Type2.1.PrfPcb		Variants: USED SMD	
Title: High Voltage LDO		Forward Edge AI, Inc. 10108 Carter Canyon, San Antonio, TX 78255 USA	
Size: A	Number: 01122022.	Revision: 00001	 Type 2
Date: 9/26/2024 Time: 4:35:14 PM	Sheet of 50	File: ISIDORE2_HV_LDO.SchDoc	
		www.forwardedge.ai/isidore	



Project: ISIDORE_Type2.1.PrjPcb			Variants: USED SMD	
Title: Boost Converter			Forward Edge AI, Inc. 10108 Carter Canyon, San Antonio, TX 78255 USA	
Size: A	Number: 01122022.	Revision: 00001	 Type 2	
Date: 9/26/2024 Time: 4:35:15 PM	Sheet of 50	File: ISIDORO2_Boost.SchDoc		
			www.forwardedge.ai/isidore	