

UPS COVERED

Storage Module
UPS COVERED

UPS COVERED

UPS COVERED

UPS COVERED

Communication Module
UPS COVERED

UPS COVERED

HDMI/MPI Module
UPS COVERED

Project: Xtronica CB.PrjPcb		Variants: [No Variations]	
Title: CB Top Level Sheet		Rjukan Head Office/Factory Hydroparken 270, NO-3661 Rjukan, Norway	
Size: A3	Number: 010225	Revision: 001	XTRONICA
Date: 6/26/2025	Time: 10:53:40 PM	Sheet 1 of 22	
File: XTRCB TOP LEVEL Sheet.SchDoc			

A

B

C

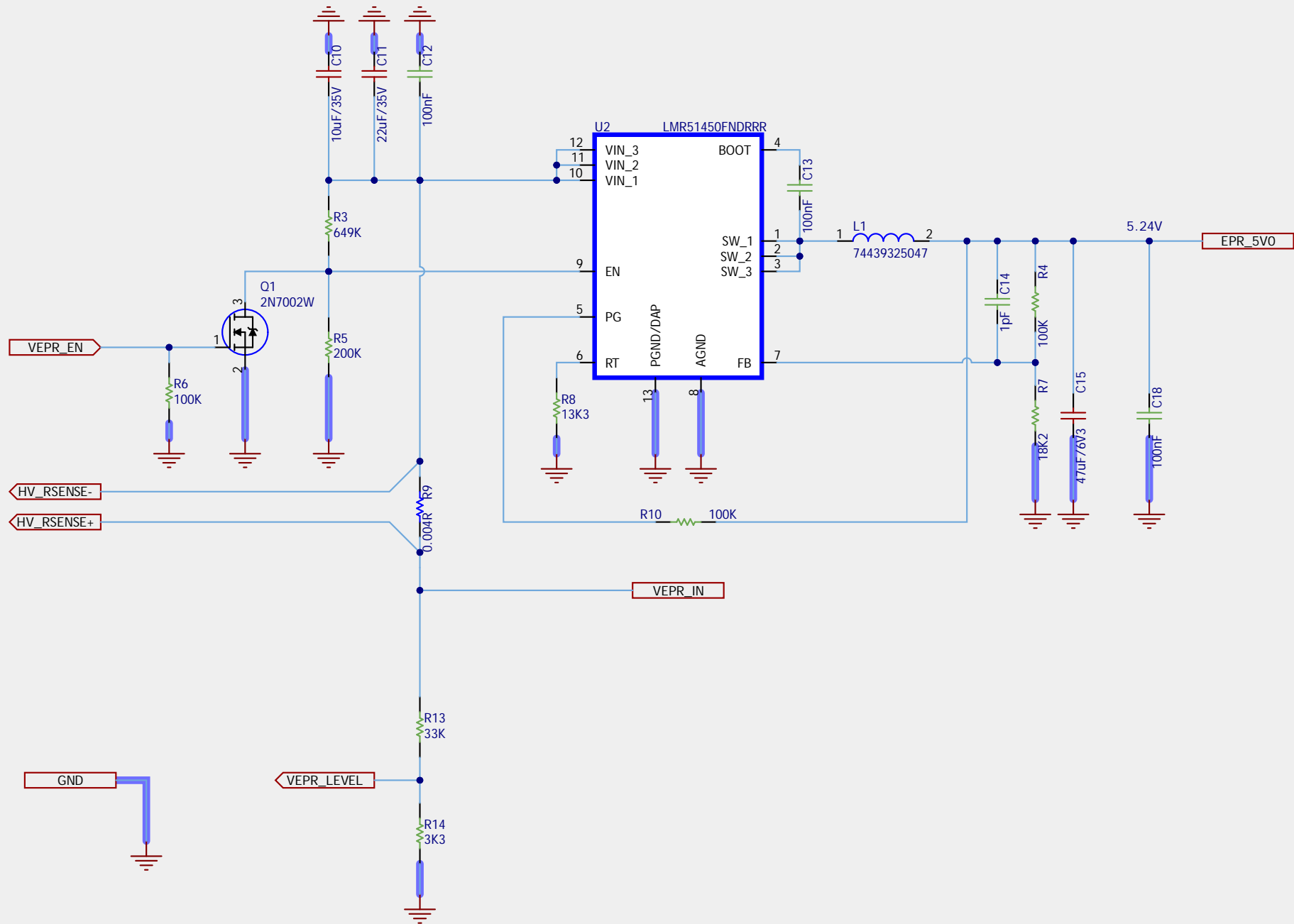
D


1

2

3

4



Project: Xtronica CB.PrjPcb		Variants: [No Variations]		
Title: Buck Converter		Rjukan Head Office/Factory Hydroparken 270, NO-3661 Rjukan, Norway 		
Size: A	Number: 010225			Revision: 001
Date: 6/26/2025 Time: 10:53:41 PM	Sheet 2 of 22			File: XTRCB_HV_PSU.SchDoc
		www.forwardedge.ai/isidore		

1

2

3

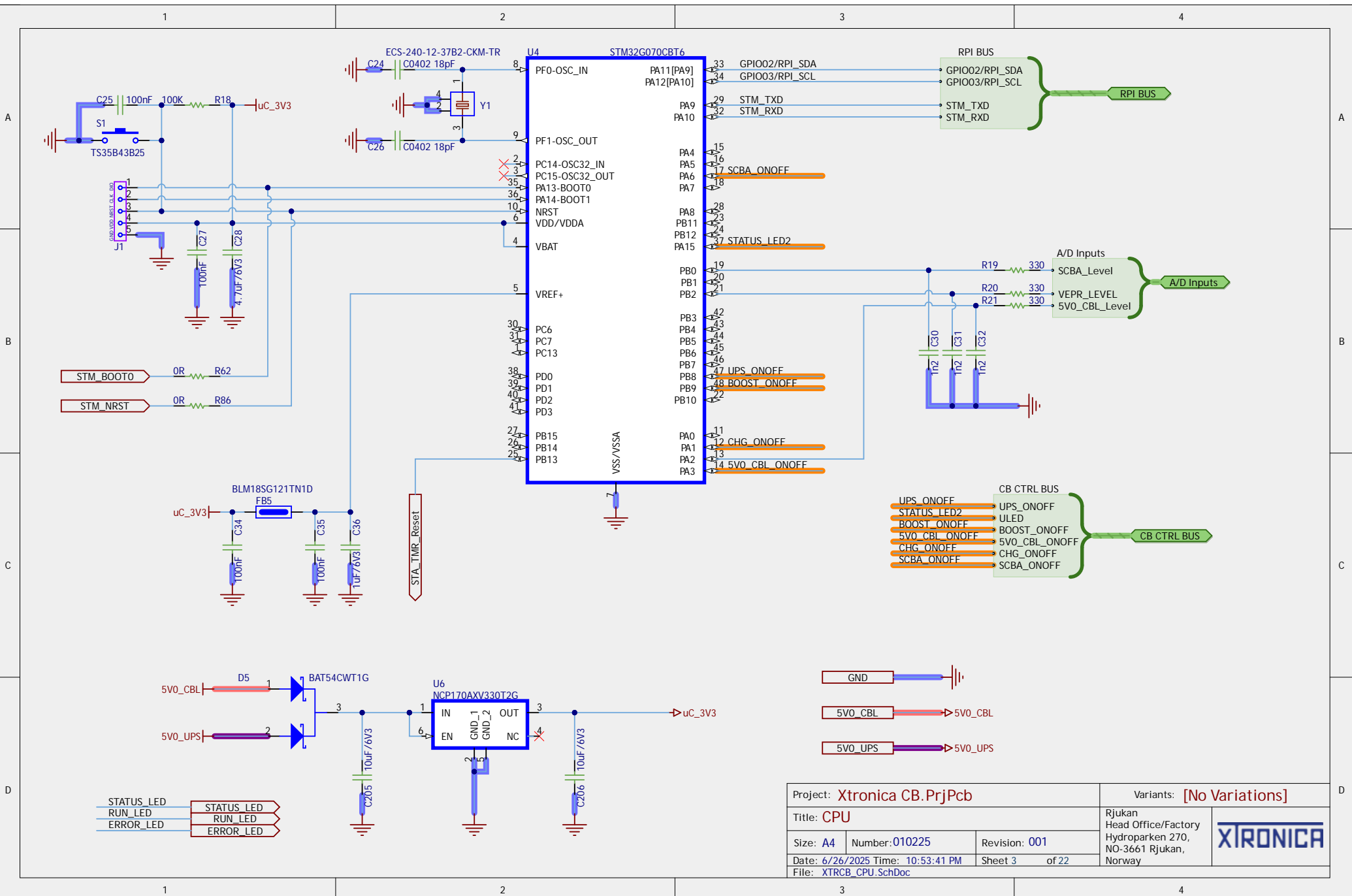
4

A

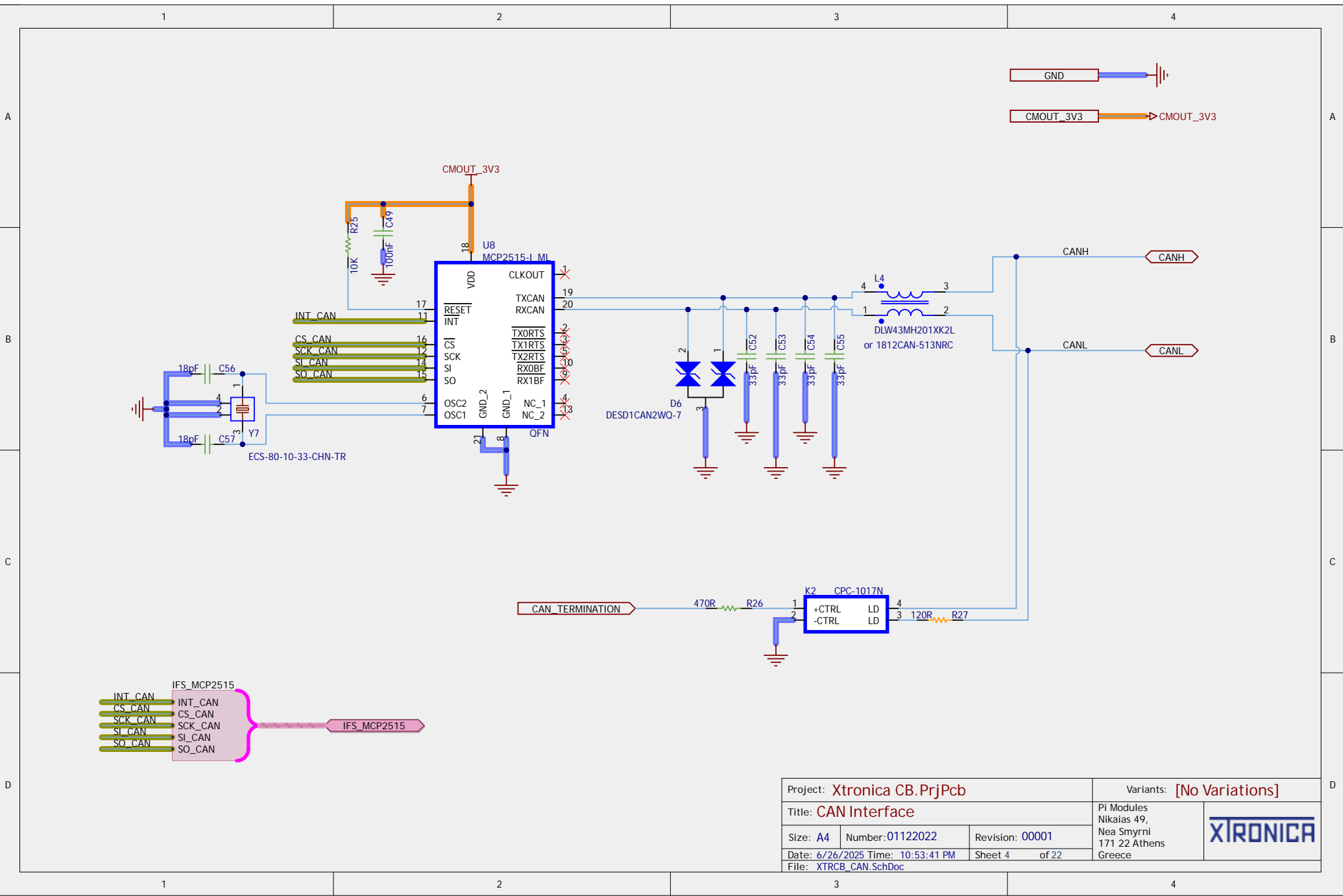
B

C

D

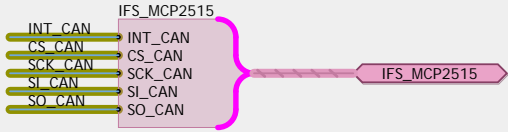


Project: Xtronica CB.PrjPcb		Variants: [No Variations]	
Title: CPU		Rjukan Head Office/Factory Hydroparken 270, NO-3661 Rjukan, Norway	
Size: A4	Number: 010225	Revision: 001	
Date: 6/26/2025 Time: 10:53:41 PM	File: XTRCB_CPU.SchDoc	Sheet 3 of 22	



GND

CMOUT_3V3



Project: Xtronica CB.PrjPcb			Variants: [No Variations]	
Title: CAN Interface			Pi Modules Nikaia 49, Nea Smyrni 171 22 Athens Greece	
Size: A4	Number: 01122022	Revision: 00001		
Date: 6/26/2025 Time: 10:53:41 PM	Sheet 4	of 22		
File: XTRCB_CAN.SchDoc				

1

2

3

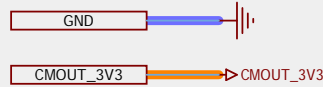
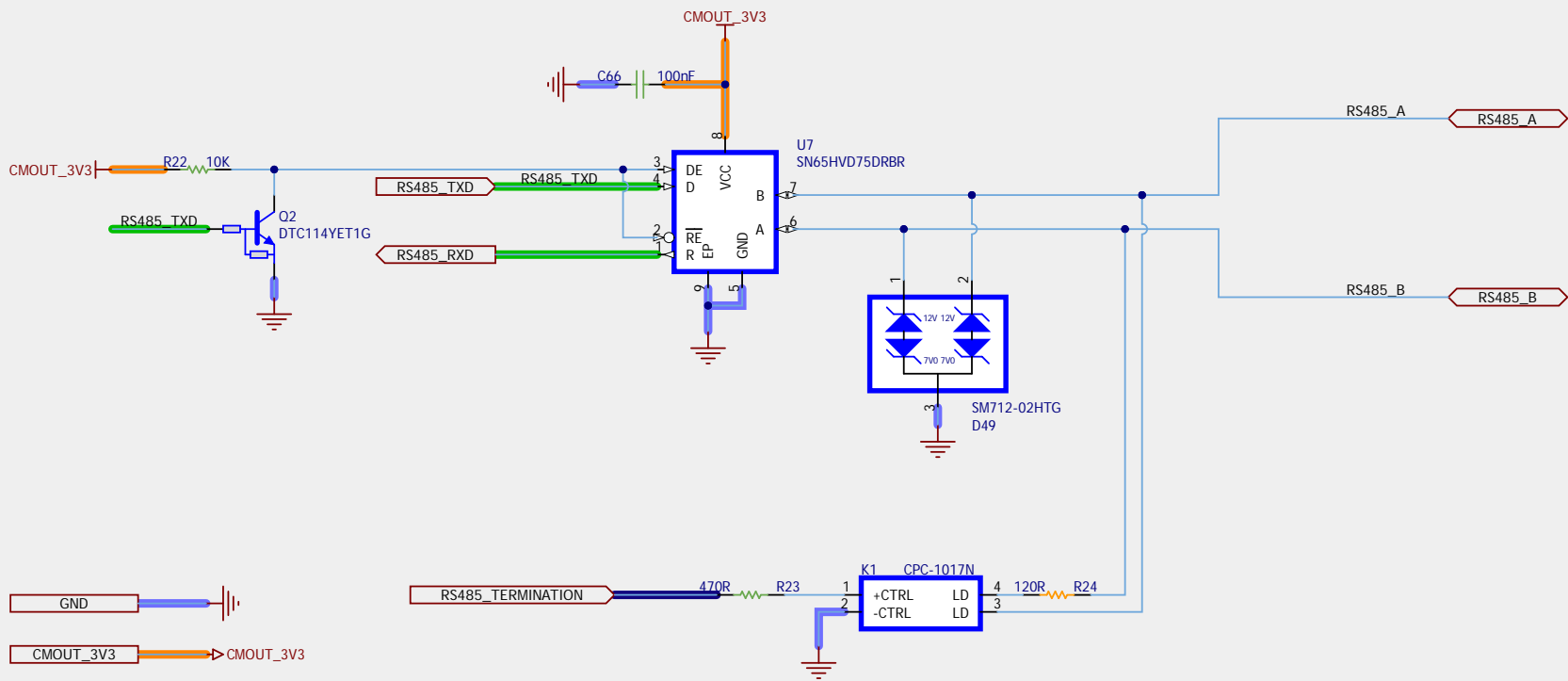
4

1

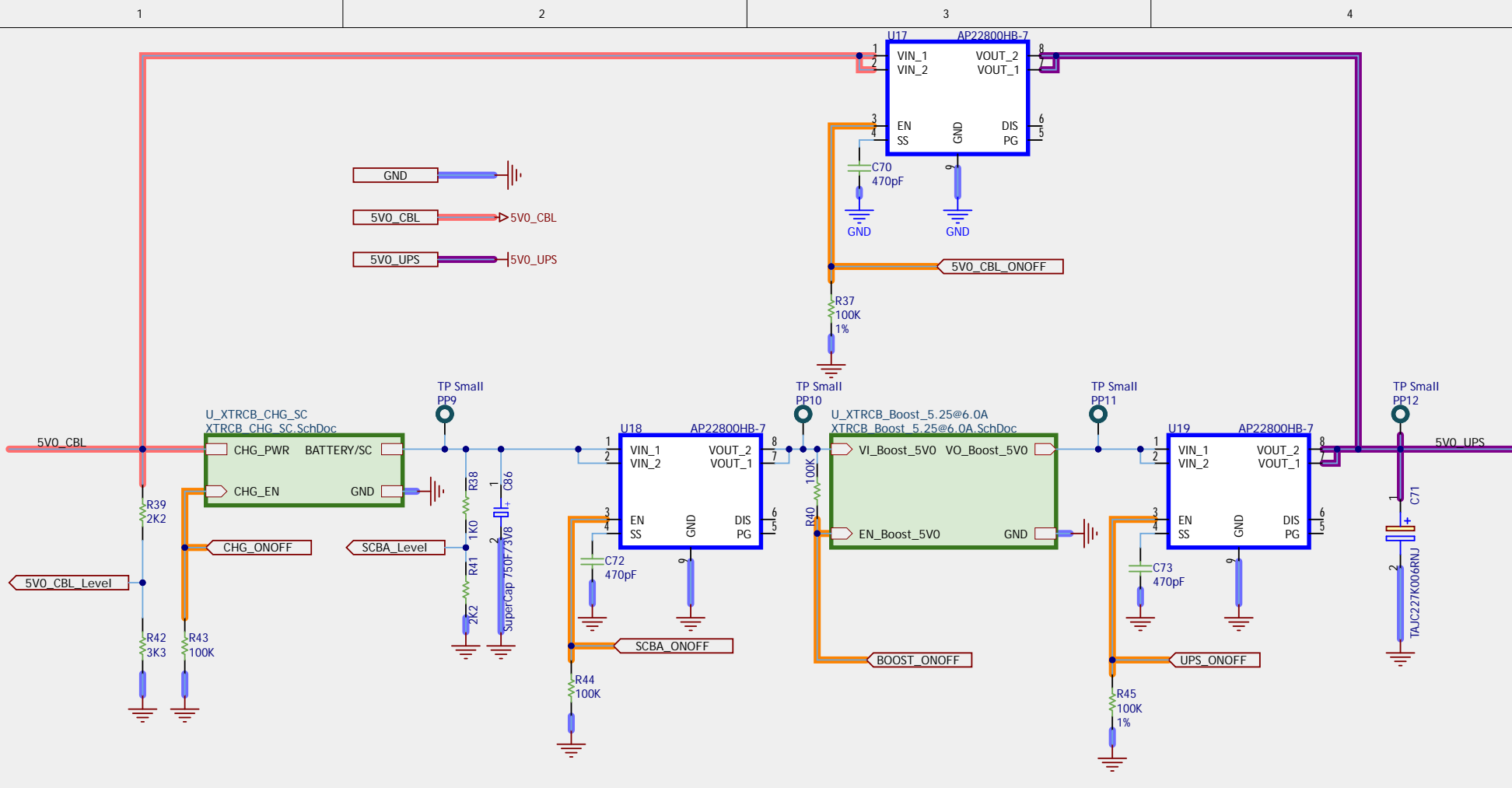
2


3

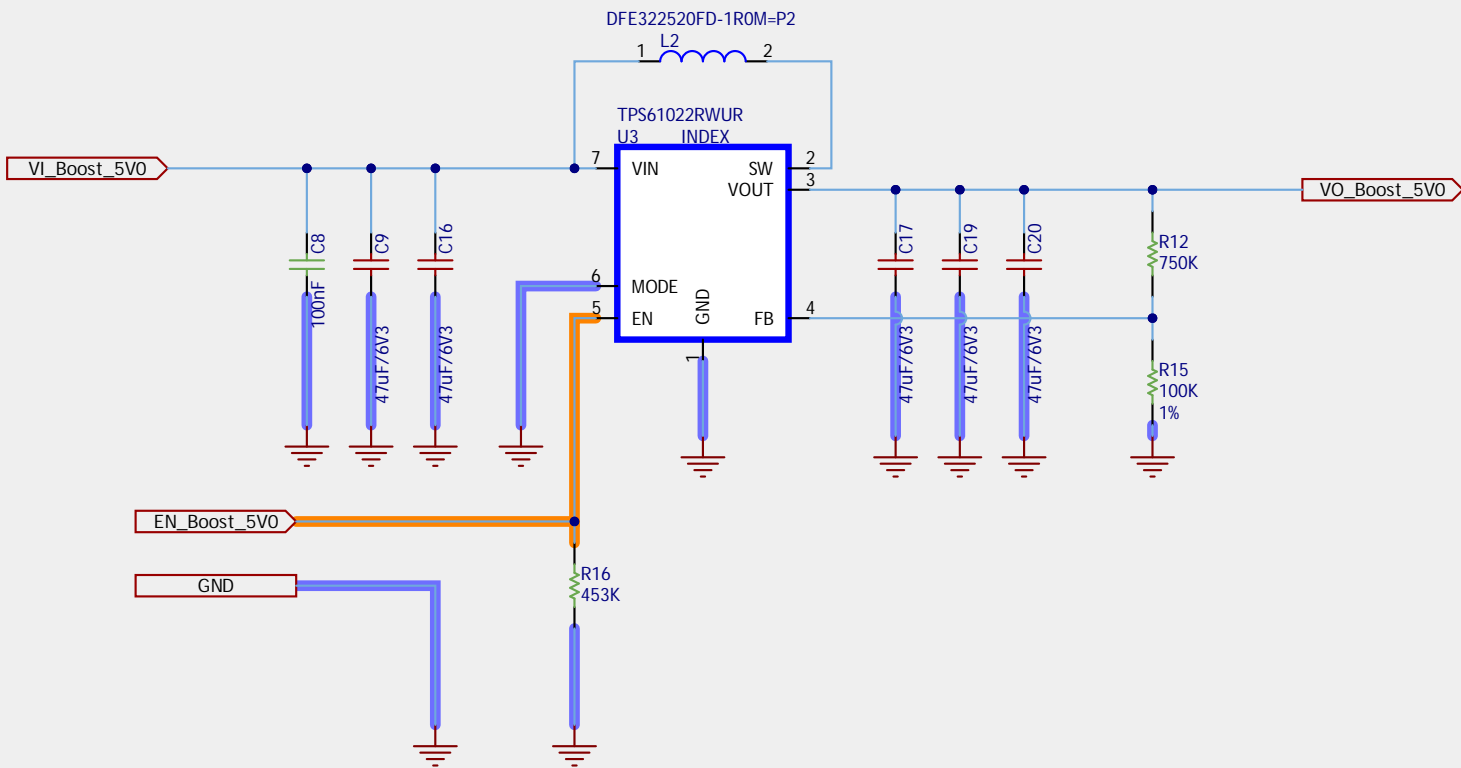
4



Project: Xtronica CB.PrjPcb		Variants: [No Variations]	
Title: RS485		Pi Modules Nikaia 49, Nea Smyrni 171 22 Athens Greece	
Size: A4	Number: 01122022	Revision: 00001	
Date: 6/26/2025 Time: 10:53:41 PM	Sheet 5	of 22	
File: XTRCB_RS485.SchDoc			

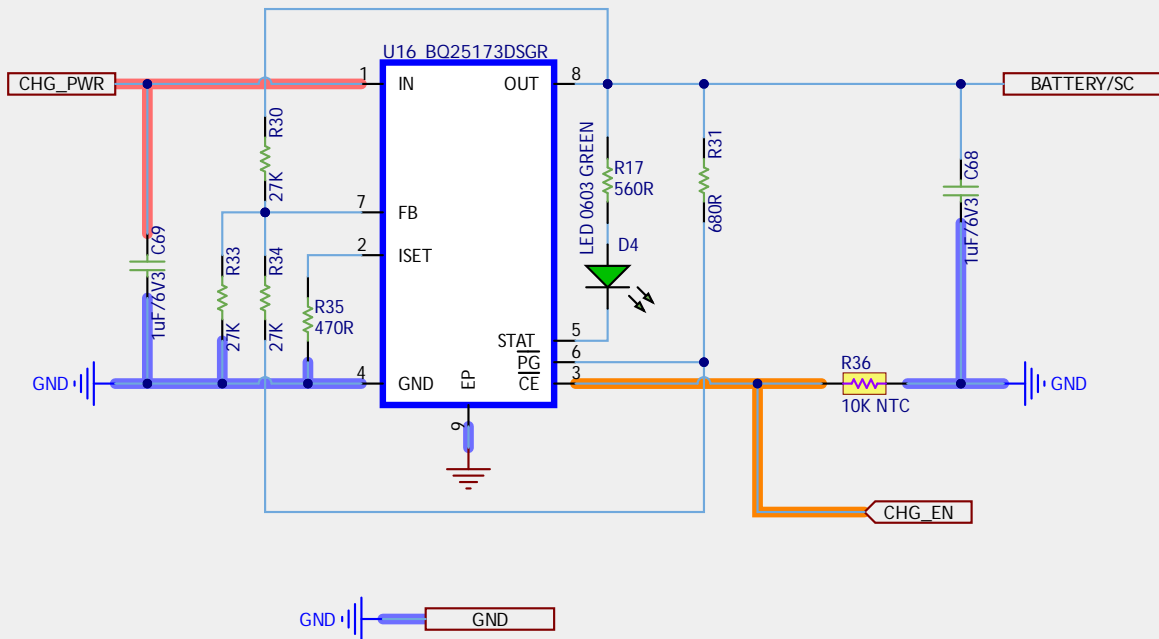


Project: Xtronica CB.PrjPcb		Variants: [No Variations]	
Title: UPS		Rjukan Head Office/Factory Hydroparken 270, NO-3661 Rjukan, Norway	
Size: A4	Number: 010225	Revision: 001	
Date: 6/26/2025 Time: 10:53:41 PM	File: XTRCB_UPS.SchDoc	Sheet 6 of 22	



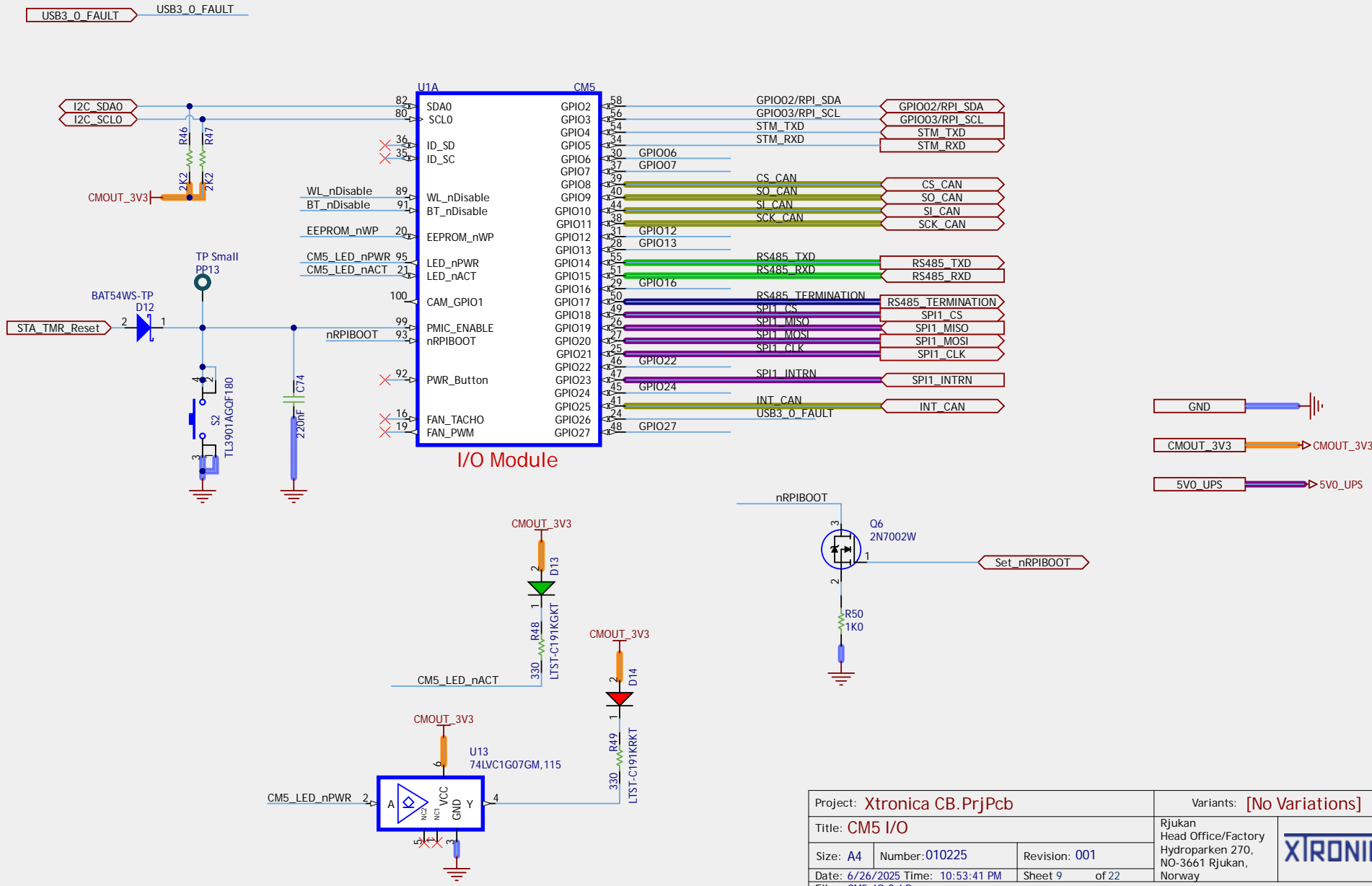
Project: Xtronica CB.PrjPcb		Variants: [No Variations]		
Title: 5.25@3A Boost Converter		Rjukan Head Office/Factory Hydroparken 270, NO-3661 Rjukan, Norway		
Size: A	Number: 010225			Revision: 001
Date: 6/26/2025 Time: 10:53:41 PM				Sheet 7 of 22
File: XTRCB_Boost_5.25@6.OA.SchDoc				




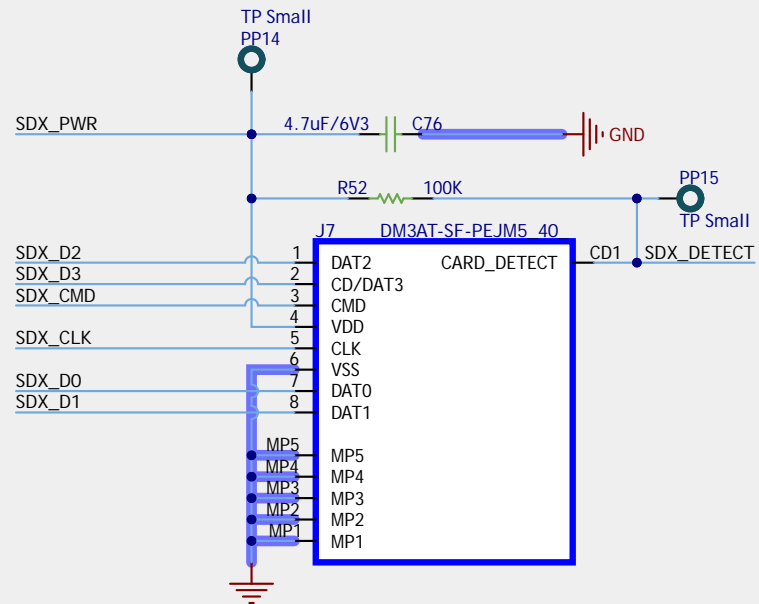
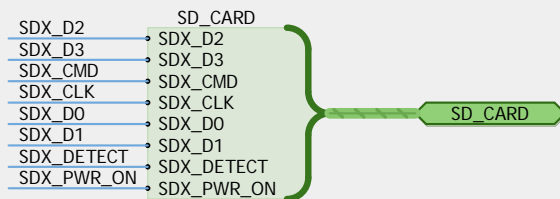
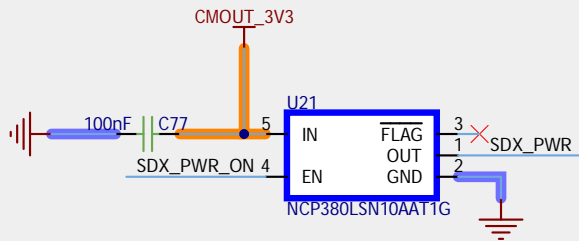
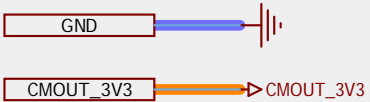


Project: Xtronica CB.PrjPcb		Variants: [No Variations]		
Title: Super Capaciotr Charger 800mA		Rjukan Head Office/Factory Hydroparken 270, NO-3661 Rjukan, Norway		
Size: A	Number: 010225			Revision: 001
Date: 6/26/2025 Time: 10:53:41 PM	Sheet 8 of 22			
File: XTRCB_CHG_SC.SchDoc				





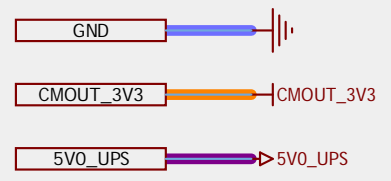
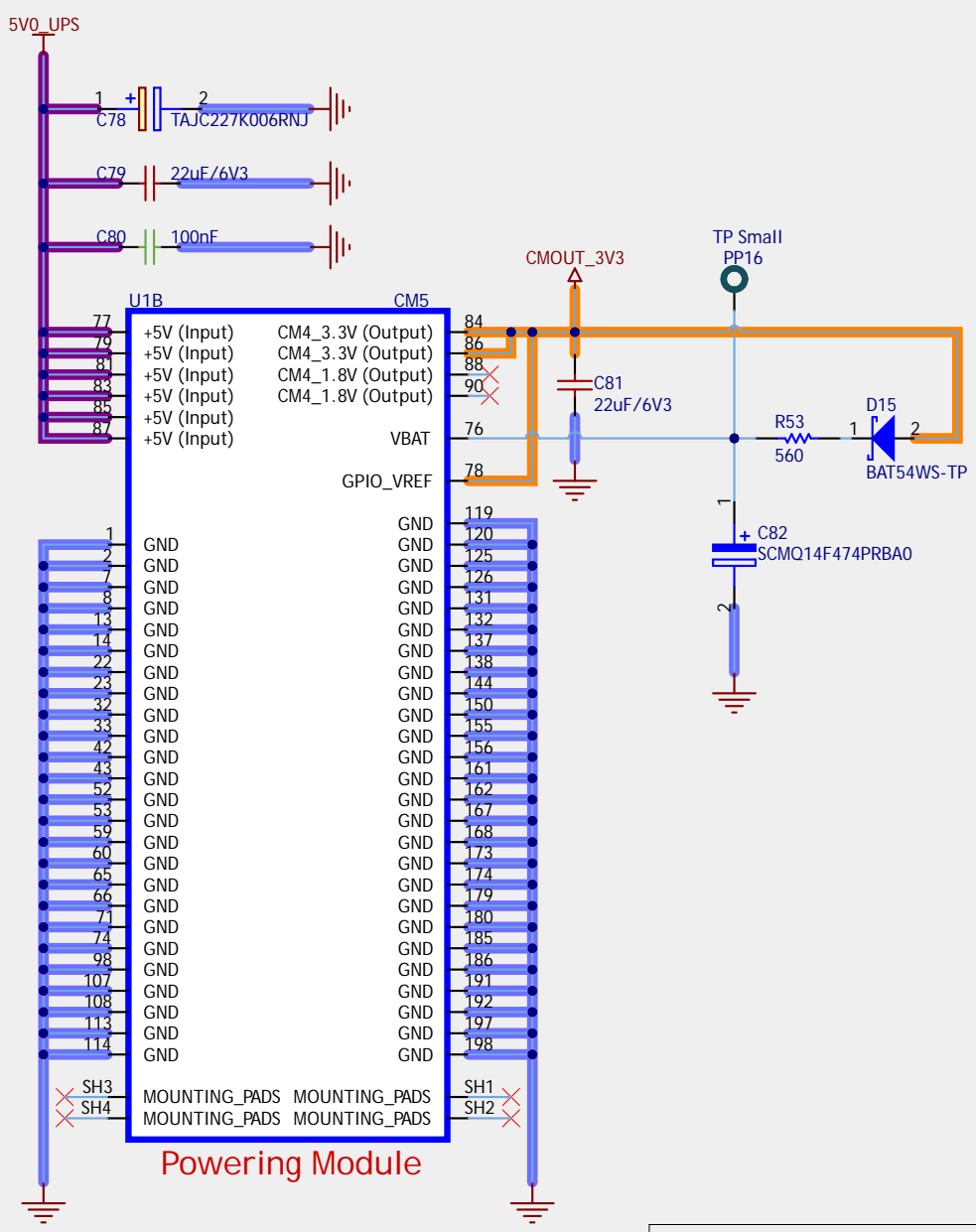
Project: Xtronica CB.PrjPcb		Variants: [No Variations]	
Title: CM5 I/O		Rjukan Head Office/Factory Hydroparken 270, NO-3661 Rjukan, Norway	
Size: A4	Number: 010225	Revision: 001	
Date: 6/26/2025 Time: 10:53:41 PM	File: CM5_IO.SchDoc	Sheet 9 of 22	



CMOUT_3V3 is originated by CM5 and is protected by UPS

Project: Xtronica CB.PrjPcb		Variants: [No Variations]		
Title: SD_CARD		Rjukan Head Office/Factory Hydroparken 270, NO-3661 Rjukan, Norway		
Size: A	Number: 010225			Revision: 001
Date: 6/26/2025 Time: 10:53:42 PM				Sheet 10 of 22
File: XTRCB_SD_CARD.SchDoc				





Project: Xtronica CB.PrjPcb		Variants: [No Variations]	
Title: CM5 Powering		Rjukan Head Office/Factory Hydroparken 270, NO-3661 Rjukan, Norway	
Size: A	Number: 010225	Revision: 001	
Date: 6/26/2025 Time: 10:53:42 PM	Sheet 11 of 22		
File: XTRCB_CM5_POWERING.SchDoc			

A

A

B

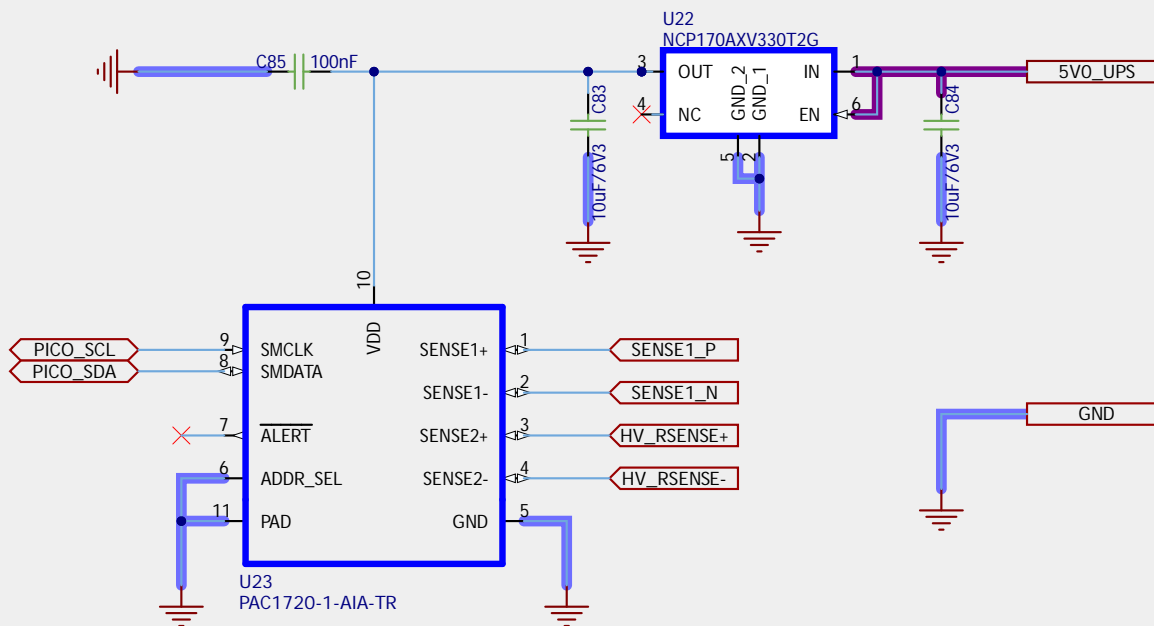
B

C

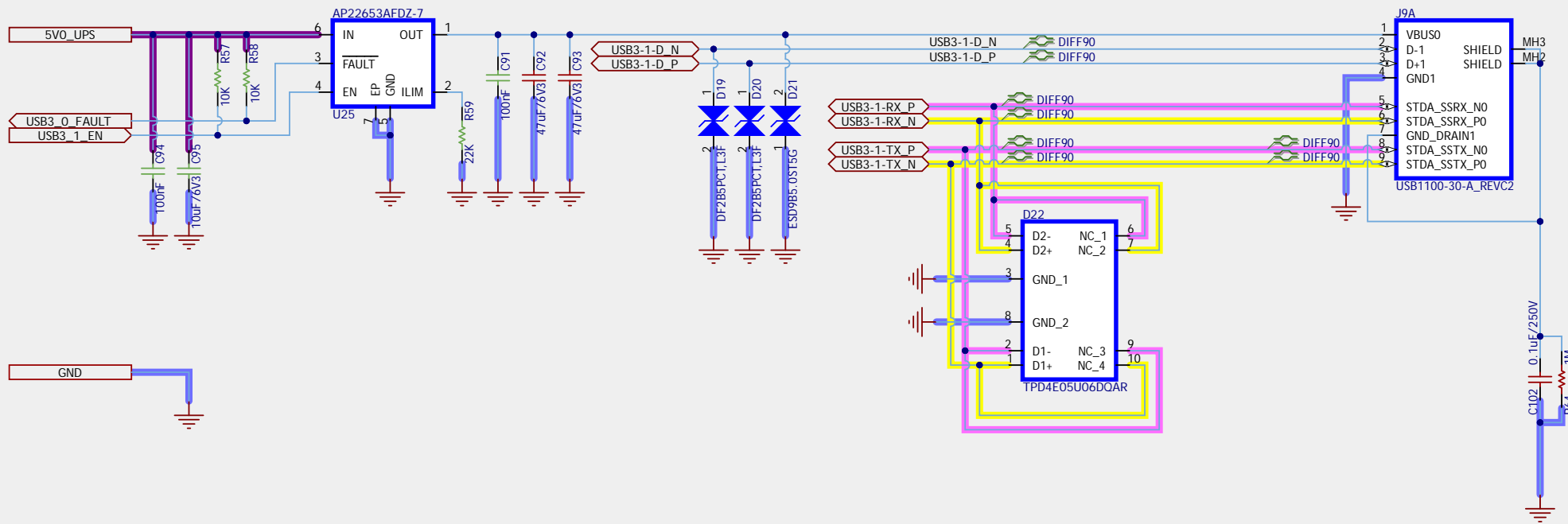
C

D

D

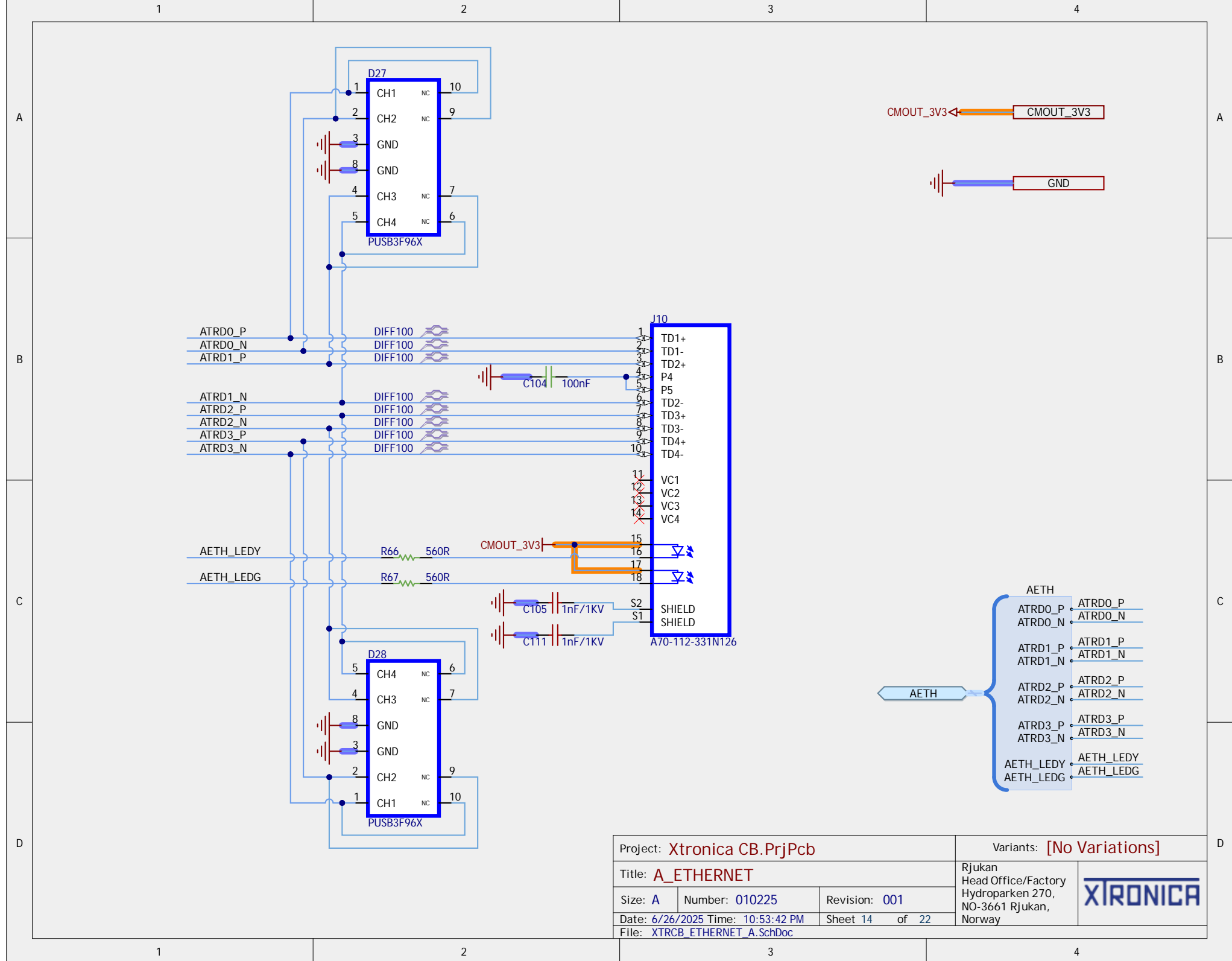


Project: Xtronica CB.PrjPcb		Variants: [No Variations]		
Title: Current Sensor		Rjukan Head Office/Factory Hydroparken 270, NO-3661 Rjukan, Norway		
Size: A	Number: 010225			Revision: 001
Date: 6/26/2025 Time: 10:53:42 PM	Sheet 12 of 22			
File: XTRCB_Current_Sensor.SchDoc				

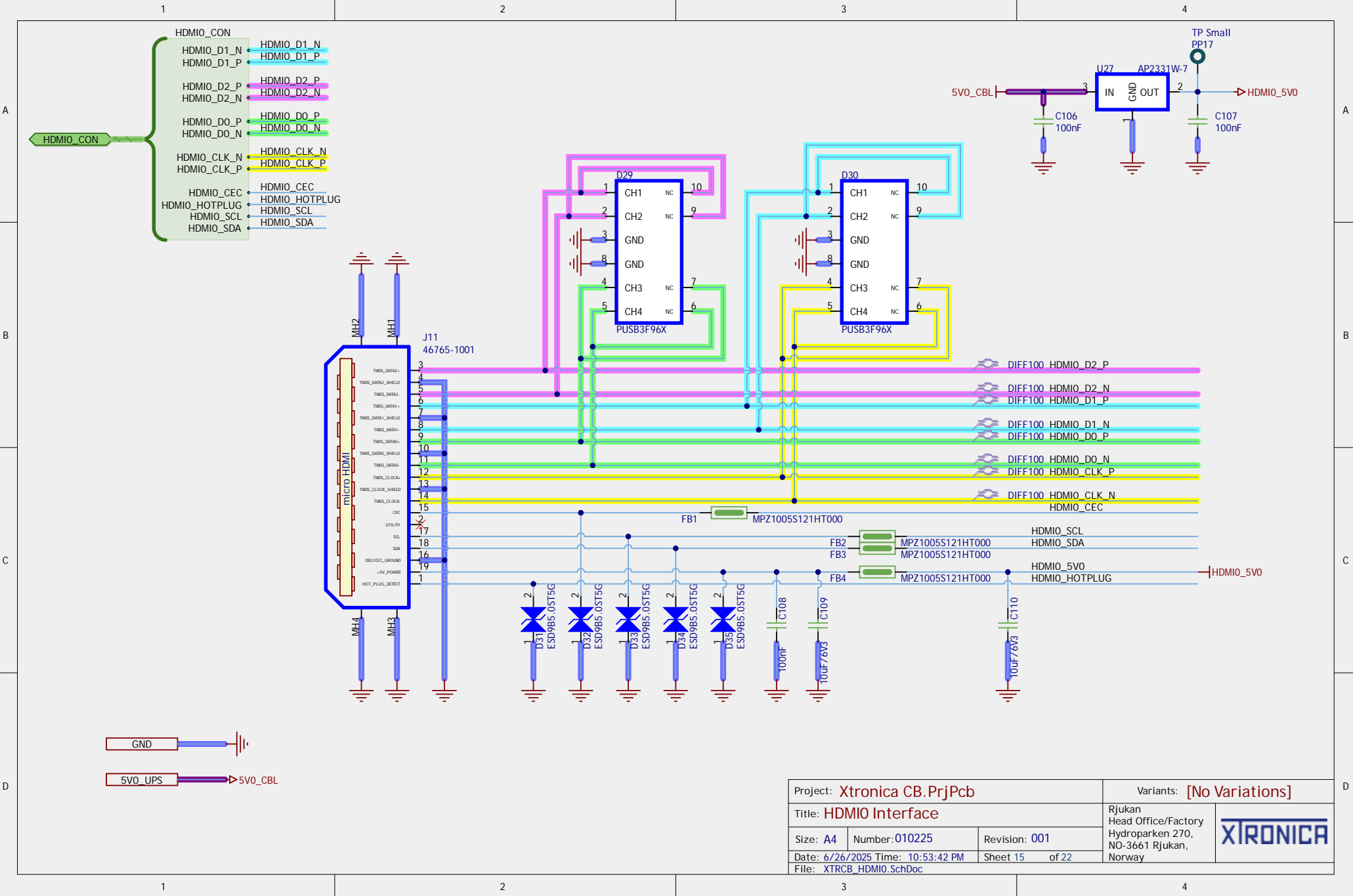


USB 3 Pairs P/N swapped to help routing

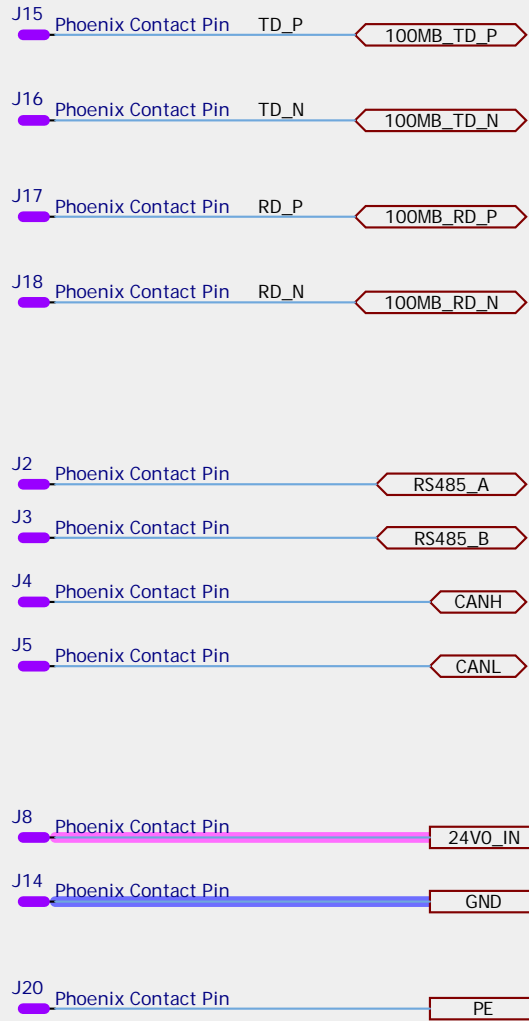
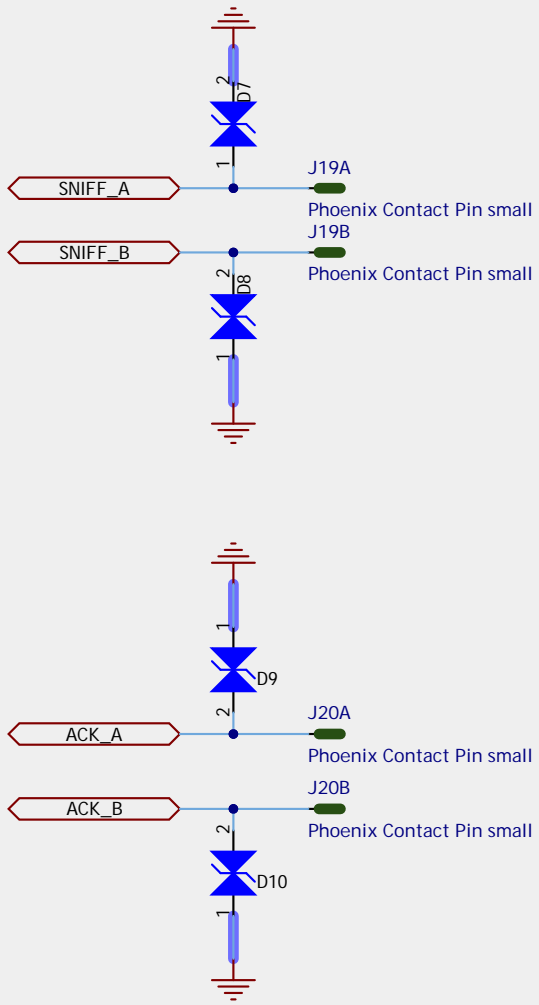
Project: Xtronica CB.PrjPcb		Variants: [No Variations]	
Title: USB3.0 x 1		Rjukan Head Office/Factory Hydroparken 270, NO-3661 Rjukan, Norway	
Size: A4	Number: 010225	Revision: 001	
Date: 6/26/2025	Time: 10:53:42 PM	Sheet 13 of 22	
File: XTRCB_1xUSB3_0.SchDoc			



Project: Xtronica CB.PrjPcb		Variants: [No Variations]	
Title: A_ETHERNET		Rjukan Head Office/Factory Hydroparken 270, NO-3661 Rjukan, Norway	
Size: A	Number: 010225	Revision: 001	
Date: 6/26/2025 Time: 10:53:42 PM		Sheet 14 of 22	
File: XTRCB_ETHERNET_A.SchDoc			

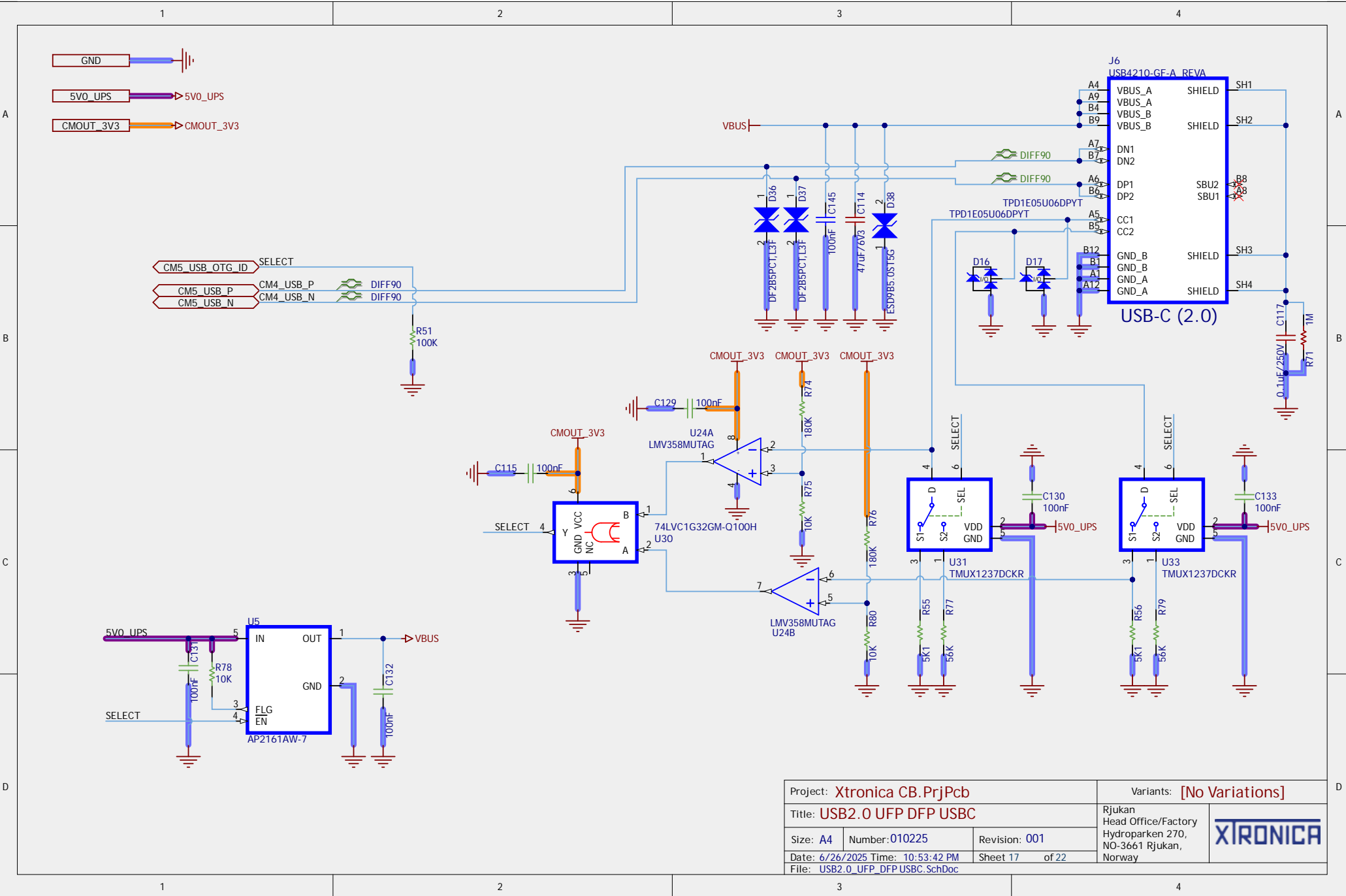



Project: Xtronica CB.PrjPcb		Variants: [No Variations]	
Title: HDMI Interface		Rjukan Head Office/Factory Hydroparken 270, NO-3661 Rjukan, Norway	
Size: A4	Number: 010225	Revision: 001	
Date: 6/26/2025	Time: 10:53:42 PM	Sheet 15 of 22	
File: XTRCB_HDMI0.SchDoc			

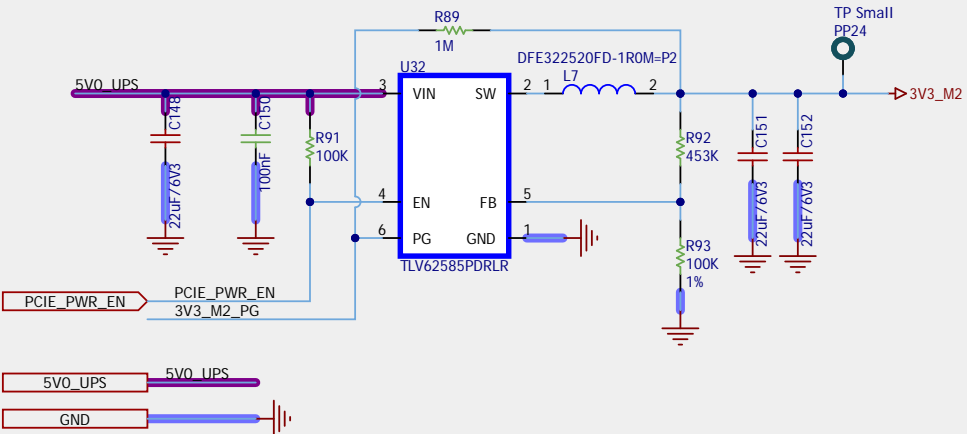
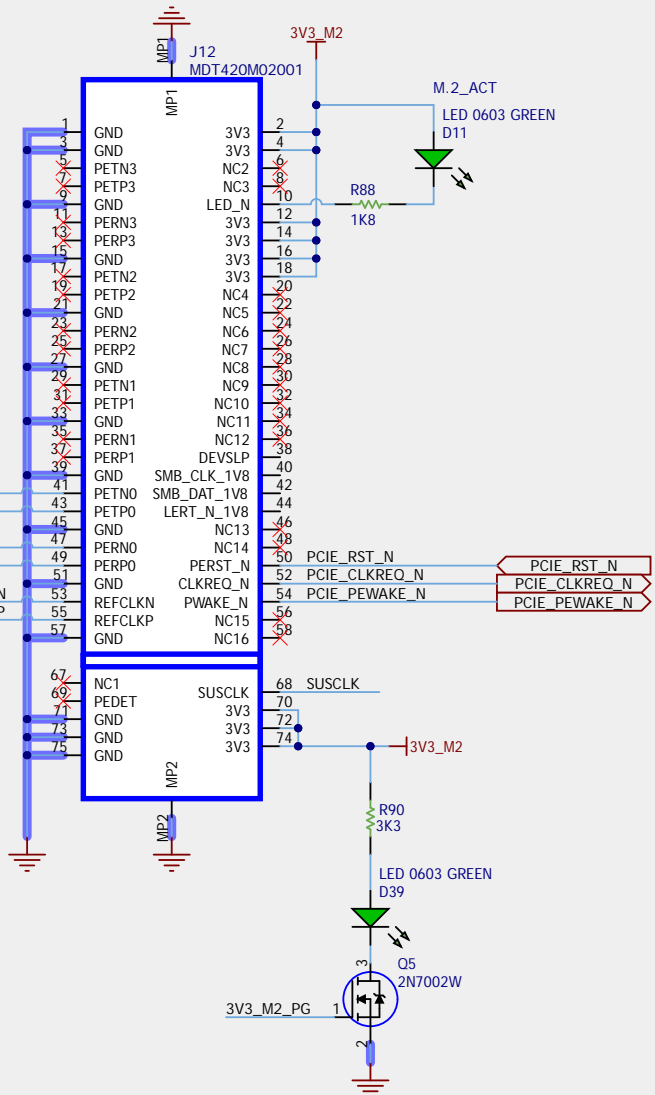
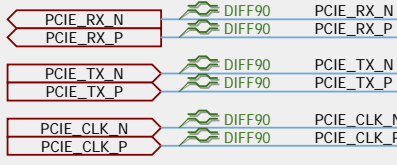
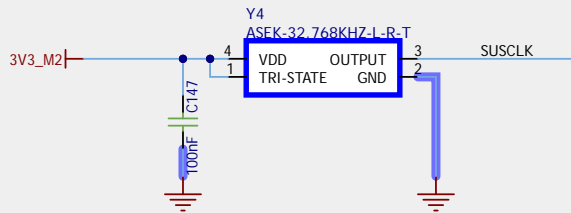


Project: Xtronica CB.PrjPcb			Variants: [No Variations]		
Title: DIN BUS			Rjukan Head Office/Factory Hydroparken 270, NO-3661 Rjukan, Norway		
Size: A	Number: 010225	Revision: 001			
Date: 6/26/2025 Time: 10:53:42 PM		Sheet 16 of 22			
File: XTRCB_DIN_BUS.SchDoc					

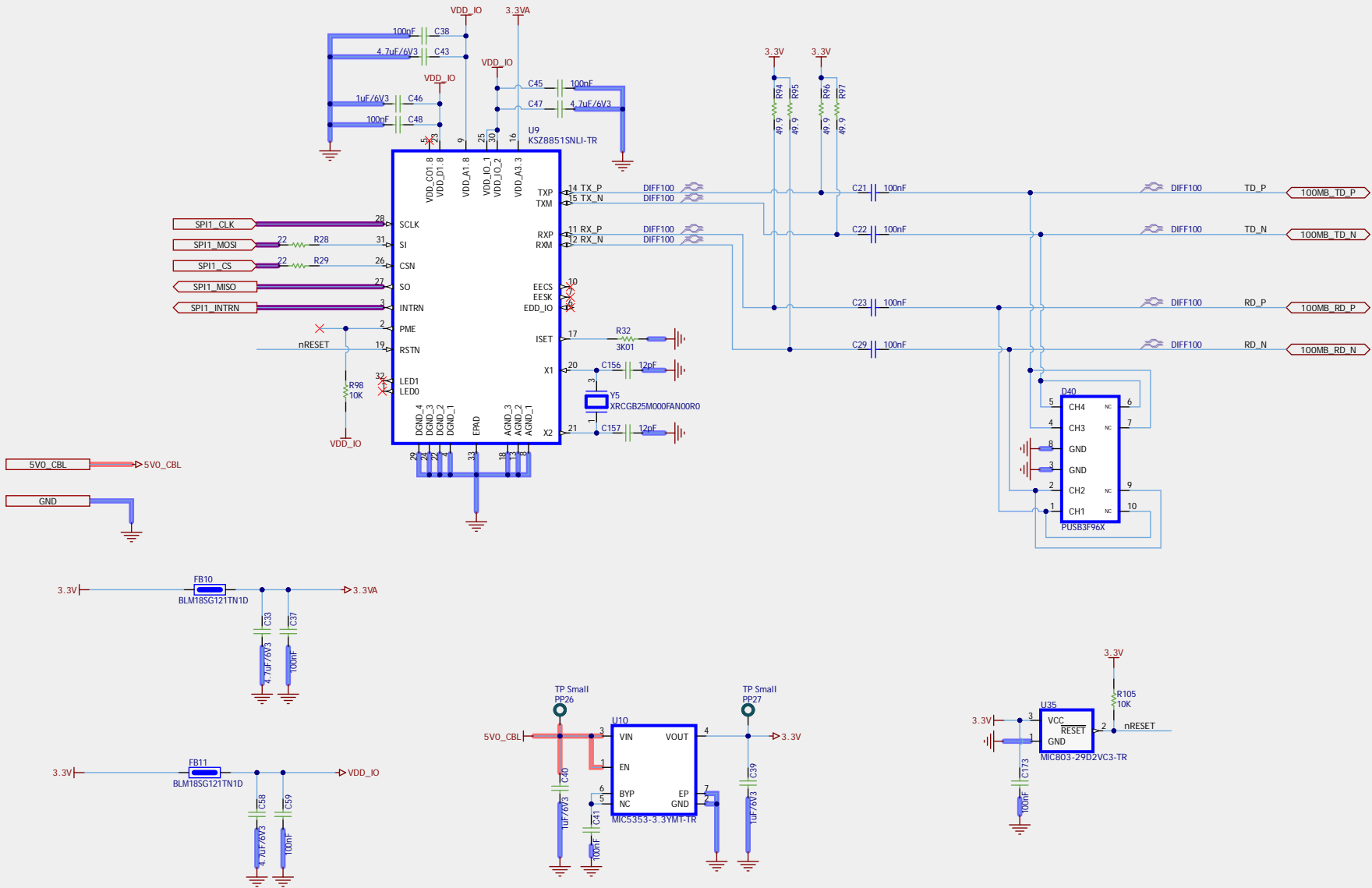




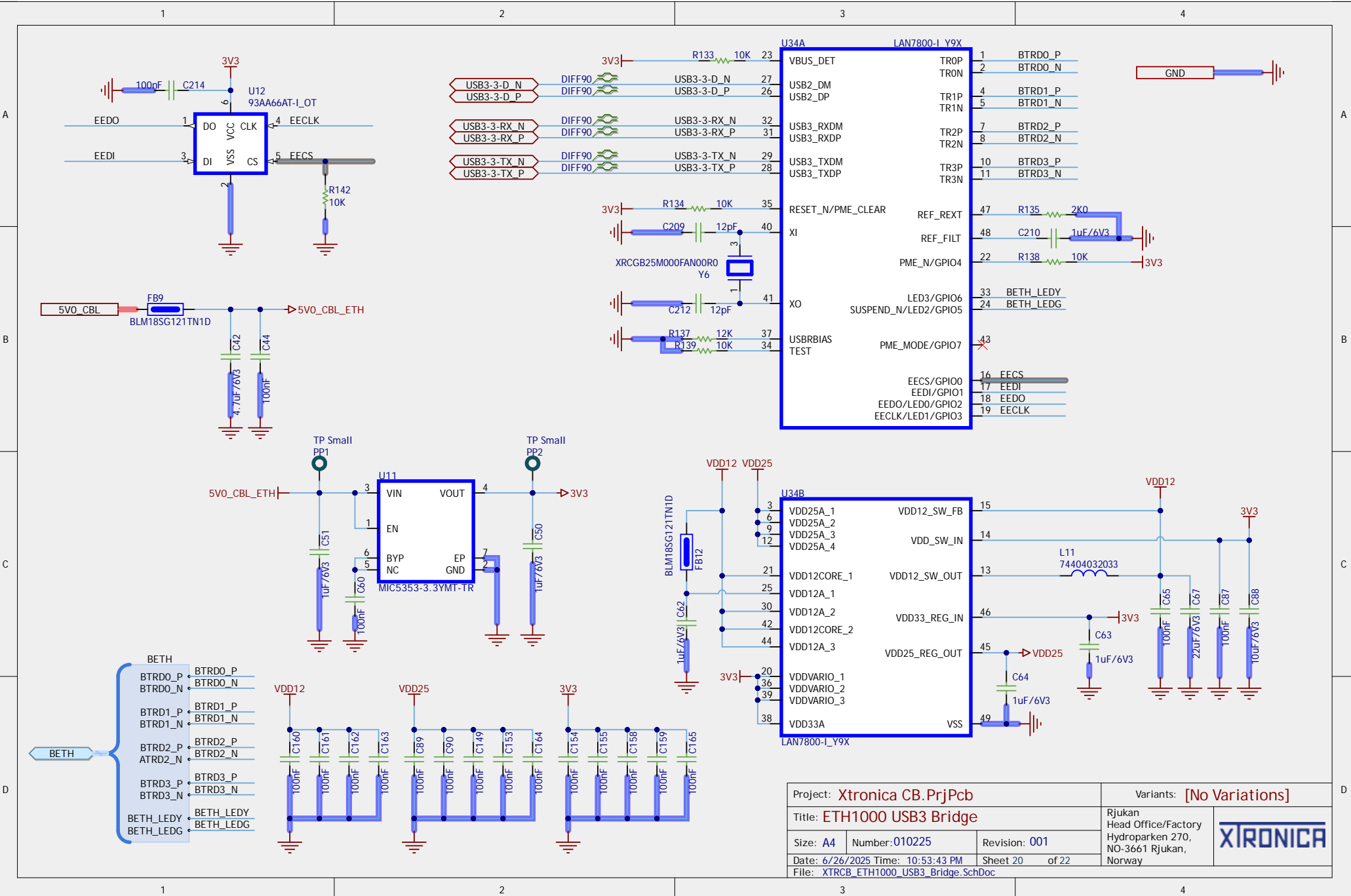
Project: Xtronica CB.PrjPcb		Variants: [No Variations]	
Title: USB2.0 UFP DFP USB-C		Rjukan Head Office/Factory Hydroparken 270, NO-3661 Rjukan, Norway	
Size: A4	Number: 010225	Revision: 001	
Date: 6/26/2025	Time: 10:53:42 PM	Sheet 17 of 22	
File: USB2.0_UFP_DFP USB-C.SchDoc			

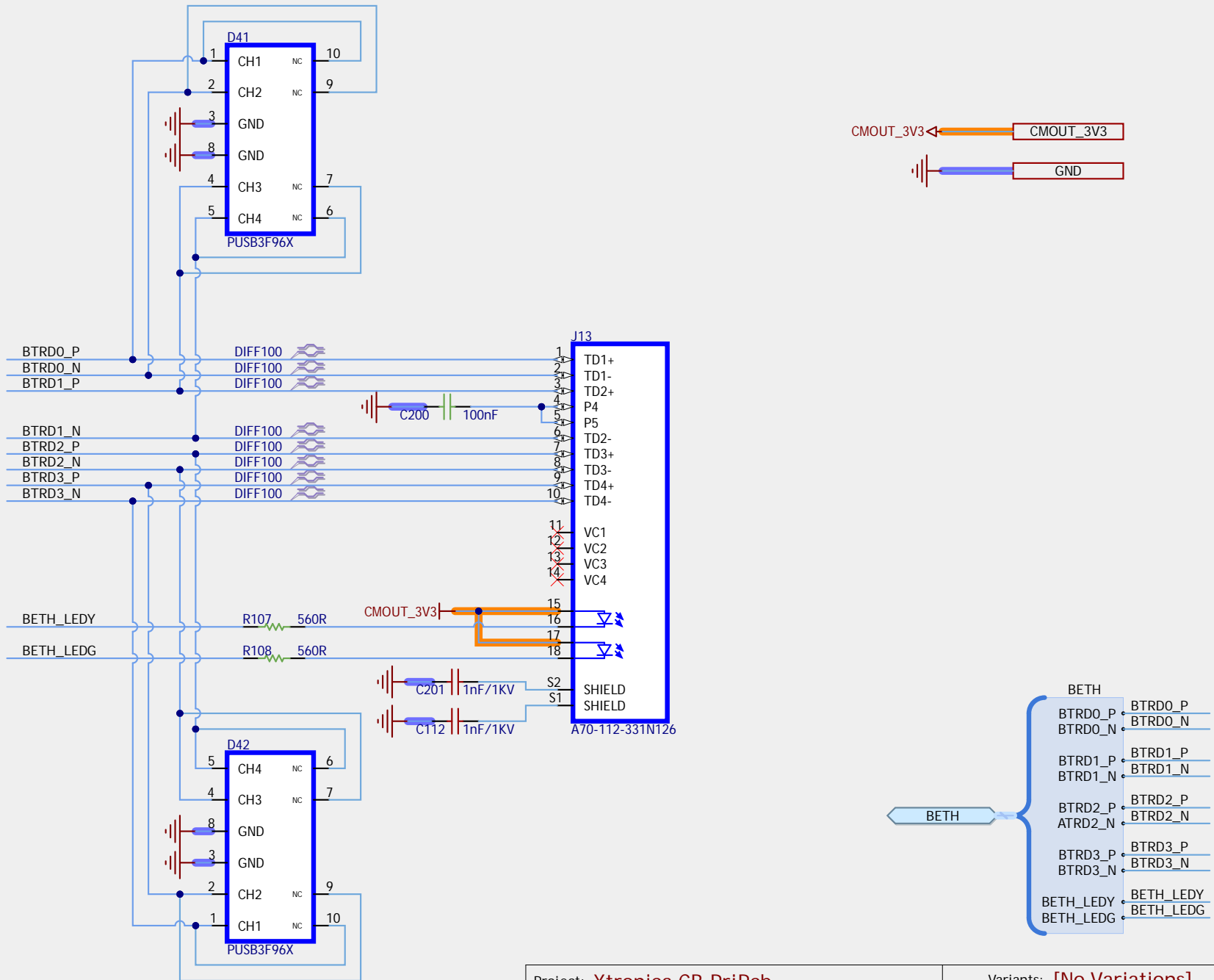


Project: Xtronica CB.PrjPcb		Variants: [No Variations]	
Title: M.2 Interface		Rjukan Head Office/Factory Hydroparken 270, NO-3661 Rjukan, Norway	
Size: A4	Number: 010225	Revision: 001	
Date: 6/26/2025 Time: 10:53:43 PM	Sheet 18	of 22	
File: XTRCB_M.2.SchDoc			

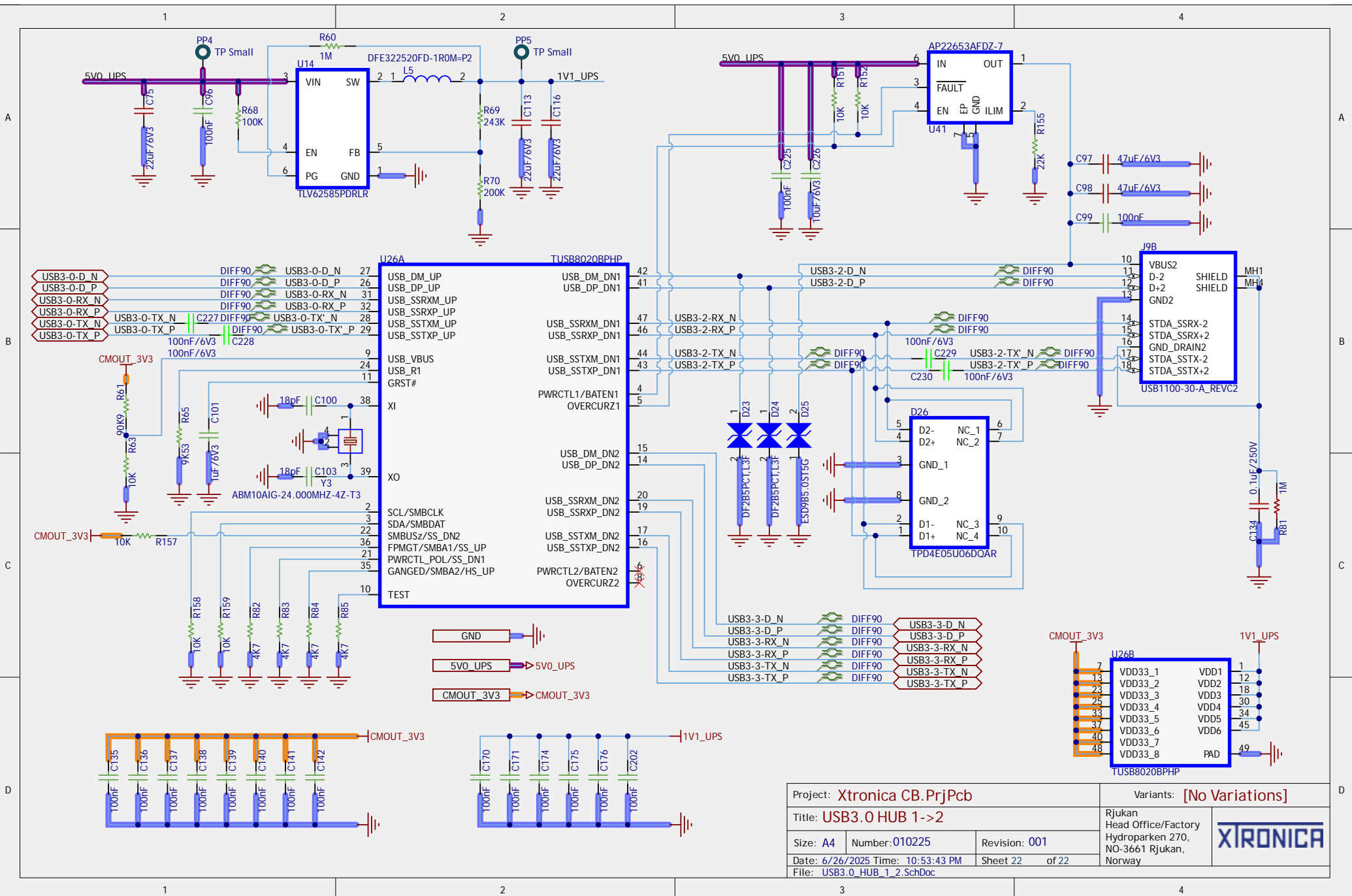


Project: Xtronica CB.PrjPcb		Variants: [No Variations]	
Title: 100MB Ethernet		Rjukan Head Office/Factory Hydroparken 270, NO-3661 Rjukan, Norway	
Size: A3	Number: 010225	Revision: 001	
Date: 6/26/2025 Time: 10:53:43 PM		Sheet 19 of 22	
File: XTRCB_100MB Ethernet.SchDoc.SchDoc			





Project: Xtronica CB.PrjPcb		Variants: [No Variations]	
Title: A_ETHERNET		Rjukan Head Office/Factory Hydroparken 270, NO-3661 Rjukan, Norway	
Size: A	Number: 010225	Revision: 001	
Date: 6/26/2025 Time: 10:53:43 PM		Sheet 21 of 22	
File: XTRCB_ETHERNET_B.SchDoc			



Project: Xtronica CB.PrjPcb		Variants: [No Variations]	
Title: USB3.0 HUB 1->2		Rjukan Head Office/Factory Hydroparken 270, NO-3661 Rjukan, Norway	
Size: A4	Number: 010225	Revision: 001	
Date: 6/26/2025	Time: 10:53:43 PM	Sheet 22 of 22	
File: USB3.0_HUB_1_2.SchDoc			